


## Low-cost Global Power Supply with CE Marking

- Safety standards:  
UL: UL508 (Class 2), No.60950-1,  
cUL: CSA C22.2 No. 14 (Class 2), cUR: 60950-1,  
EN60950-1 (= VDE0805 Teil 1), EN50178 (= VDE0160)
- EMC: Conforms to EN61204-3 Class A
- Mounting bracket available for standard models  
Front-mounting bracket type  
DIN Rail mounting type (except 300 W and 600 W)
- RoHS-compliant

 Refer to *Safety Precautions for All Power Supplies*.



## Model Number Structure

### ■ Model Number Legend

**Note:** Not all combinations are possible. Refer to *List of Models in Ordering Information* on page 2 and 3.

S82J -

1                    2    3    4

#### 1. Power Ratings

010: 10 W  
025: 25 W  
050: 50 W  
100: 100 W  
150: 150 W  
300: 300 W  
600: 600 W

#### 2. Output Voltage

05: 5 V  
12: 12 V  
15: 15 V  
24: 24 V

#### 3. Configuration

10-/25-/50-/100-/150-W models  
A: Open-frame type, front terminals  
D: Covered type, front terminals

Mounting bracket  
None: With mounting bracket  
N: Without mounting bracket

#### 4. Mounting Bracket

None: Front-mounting bracket type  
D: DIN Rail mounting bracket type

# Ordering Information

## ■ List of Models

**Note:** For details on normal stock models, contact your nearest OMRON representative.

### Front-mounting Bracket Models

Configuration	Input Voltage	Power ratings	Output voltage	Output current	Front-mounting bracket models (Front terminals)
Open-frame type	100 to 240 VAC (free)	10 W	5 V	2 A	S82J-01005A
			12 V	1 A	S82J-01012A
			15 V	0.7 A	S82J-01015A
			24 V	0.5 A	S82J-01024A
		25 W	5 V	5 A	S82J-02505A
			12 V	2.1 A	S82J-02512A
			15 V	1.7 A	S82J-02515A
			24 V	1.1 A	S82J-02524A
	50 W	5 V	10 A	S82J-05005A	
		12 V	4.2 A	S82J-05012A	
		24 V	2.1 A	S82J-05024A	
		100 or 200 VAC (selected automatically)	5 V	20 A	S82J-10005A
	12 V		8.5 A	S82J-10012A	
	15 V		7 A	S82J-10015A	
	24 V		4.5 A	S82J-10024A	
	100 to 240 VAC (free)	100 or 200 VAC (selected automatically)	24 V	6.5 A	S82J-15024A
100 or 200 VAC (selected automatically)	24 V		6.5 A	S82J-15024A	
Covered type	100 to 240 VAC (free)	10 W	5 V	2 A	S82J-01005D
			12 V	1 A	S82J-01012D
			15 V	0.7 A	S82J-01015D
			24 V	0.5 A	S82J-01024D
		25 W	5 V	5 A	S82J-02505D
			12 V	2.1 A	S82J-02512D
			15 V	1.7 A	S82J-02515D
			24 V	1.1 A	S82J-02524D
		50 W	5 V	10 A	S82J-05005D
			12 V	4.2 A	S82J-05012D
			24 V	2.1 A	S82J-05024D
			100 or 200 VAC (selected automatically)	5 V	20 A
	12 V	8.5 A		S82J-10012D	
	15 V	7 A		S82J-10015D	
	24 V	4.5 A		S82J-10024D	
	100 to 240 VAC (free)	100 or 200 VAC (selected automatically)	24 V	6.5 A	S82J-15024D
	100 or 200 VAC (selected automatically)		24 V	6.5 A	S82J-15024D
	100 or 200 VAC (selectable)	300 W	24 V	14 A	S82J-30024
				27 A	S82J-30024N
		600 W	24 V	14 A	S82J-60024
27 A				S82J-60024N	

## DIN Rail Mounting Bracket Models

Configuration	Input Voltage	Power ratings	Output voltage	Output current	DIN Rail mounting bracket models (Front terminals)
Open-frame type	100 to 240 VAC (free)	10 W	5 V	2 A	S82J-01005AD
			12 V	1 A	S82J-01012AD
			15 V	0.7 A	S82J-01015AD
			24 V	0.5 A	S82J-01024AD
		25 W	5 V	5 A	S82J-02505AD
			12 V	2.1 A	S82J-02512AD
			15 V	1.7 A	S82J-02515AD
			24 V	1.1 A	S82J-02524AD
		50 W	5 V	10 A	S82J-05005AD
			12 V	4.2 A	S82J-05012AD
			24 V	2.1 A	S82J-05024AD
		100 or 200 VAC (selected automatically)	100 W	5 V	20 A
	12 V			8.5 A	S82J-10012AD
	15 V			7 A	S82J-10015AD
	24 V		4.5 A	S82J-10024AD	
	150 W	24 V	6.5 A	S82J-15024AD	
Covered type	100 to 240 VAC (free)	10 W	5 V	2 A	S82J-01005DD
			12 V	1 A	S82J-01012DD
			15 V	0.7 A	S82J-01015DD
			24 V	0.5 A	S82J-01024DD
		25 W	5 V	5 A	S82J-02505DD
			12 V	2.1 A	S82J-02512DD
			15 V	1.7 A	S82J-02515DD
			24 V	1.1 A	S82J-02524DD
		50 W	5 V	10 A	S82J-05005DD
			12 V	4.2 A	S82J-05012DD
			24 V	2.1 A	S82J-05024DD
		100 or 200 VAC (selected automatically)	100 W	5 V	20 A
	12 V			8.5 A	S82J-10012DD
	15 V			7 A	S82J-10015DD
	24 V		4.5 A	S82J-10024DD	
	150 W	24 V	6.5 A	S82J-15024DD	

### ■ Accessories (Order Separately)

#### Front Mounting Bracket (for the S82J-10024A and S82J-10024D)

S82Y-J10F

#### Replacement Fan

S82Y-JFAN

# Specifications

## ■ Ratings/Characteristics

Power ratings (See note 1.)		100 to 240 V (Free)				100/200 (Selected automatically)		100/200 (Selected)		
		10 W	25 W	50 W	100 W (24 V)	100 W (5 V, 12 V, 15 V)	150 W	300 W	600 W	
Efficiency (typical)		67% min. (Varies depending on specifications)				83% min.		75% min. 82% min.		
Input	Voltage (See note 2.)	100 to 240 VAC (85 to 264 VAC)				100 VAC (85 to 132 VAC)		100 VAC (85 to 132 VAC)		
		110 to 170 VDC (10-W and 25-W models only) (See note 11.)				200 VAC (170 to 264 VAC) (selected automatically)		200 VAC (170 to 253 VAC) (selectable)		
	Frequency (See note 2.)	50/60 Hz (47 to 450 Hz)								
	Current (See note 3.)	100-V input	0.35 A max.	0.8 max.	1.4 A max.	2.5 A max.	2.5 A max.	3.5 A max.	8 A max.	14 A max.
		200-V input	0.3 A max.	0.6 A max.	0.8 A max.	1.5 A max.	1.4 A max.	2.1 A max.	4 A max.	7 A max.
	Leakage current (See note 3.)	100-V input	0.5 mA max.							
		200-V input	1 mA max.							
Inrush current (See note 3.)	100-V input	25 A max. (for a cold start at 25°)							30 A max. (for a cold start at 25°)	
	200-V input	50 A max. (for a cold start at 25°)							60 A max. (for a cold start at 25°)	
Noise filter		Yes								
Output (See note 4.)	Voltage Adjustment Range (See note 5.)	±10% (with V. ADJ)								
	Ripple (See note 3.)	2% (p-p) max.								
	Input variation influence	0.4% max.								
	Load variation influence	0.8% max. (10% to 100% load, rated input voltage)								
	Temperature variation influence	0.05%/°C max. (at rated input and output)								
	Startup time	500 ms max. (up to 90% of output voltage at rated input and output)						300 ms max. (up to 90% of output voltage at rated input and output)		
	Hold time (See note 3.)	20 ms min.								
Additional functions	Overload protection (See note 6.)	105% to 160% of rated load current, voltage/current drop, intermittent operation (10-W and 25-W models) gradual current increase/ voltage drop, intermittent operation (50-W, 100-W (24 V) models), automatic reset						105% of rated load current, Inverted L voltage drop, automatic reset (For the 600-W model, the circuit will be shut OFF when the overload exceeds 5 s.)		
	Overvoltage protection	No		Yes (See note 7.)		Yes (5-V output only) (See note 7.)		No		
	Overheat protection	No							Yes (See note 8.)	
	Parallel operation	No							Yes (up to 5 units)	
	Protection-ON alarm indicator	No							Yes (color: red)	
Other	Ambient operating temperature	Refer to the derating curve in <i>Engineering Data</i> . (with no icing or condensation)								
	Storage temperature	-25 to 65°C (with no icing or condensation)								
	Ambient operating humidity	25% to 85% (Storage humidity: 25% to 90%)								
	Dielectric strength	3.0 k VAC for 1 min. (between all inputs and all outputs)								
		2.2 k VAC for 1 min. (between all inputs and all outputs/PE terminals)								
		1.0 k VAC for 1 min. (between all outputs and PE terminal)								
	Insulation resistance	100 MΩ min. (between all outputs and all inputs/ PE terminals) at 500 VDC								
	Vibration resistance	10 to 55 Hz, 0.375-mm single amplitude for 2h each in X, Y, and Z directions								
	Shock resistance	300m/s <sup>2</sup> , 3 times each in ±X, ±Y, ±Z directions								
	Output indicator	Yes (color: green)								
	EMI	Conducted Emissions (See note 3.)	Conforms to EN61204-3 EN55011 Class A and based on FCC Class A							
		Radiated Emissions	Conforms to EN61204-3 EN55011 Class A (See note 9.)							
	EMS		Conforms to EN61204-3 Low severity levels							
	Approved standards		UL: UL508 (Listing; Class 2; Per UL1310 Class 2 approved for 10-W, 25-W (except for 5-V output), and 50-W (only for 24-V output) models.), UL60950-1 cUL: CSA C22.2 No. 14 (Class 2 approved for 10-W, 25-W (except for 5-V output), and 50-W (only for 24-V output) models.) cUR: CSA No. 60950-1 EN/VDE: EN50178 (=VDE0160), EN60950-1 (=VDE0805 Teil 1) Terminal types (only terminal part): VDE0106/P100 Based on VE0106/P100				<b>Models with Terminals</b> UL: UL508 (Listing), UL1012, UL60950-1 cUL: CSA C22.2 No. 14 (Listing) cUR: CSA No. 60950-1 EN/VDE: EN50178 (=VDE0160), EN60950-1 (=VDE0805 Teil 1) Terminal types (only terminal part): VDE0106/P100 Based on VE0106/P100 <b>Models with Connectors</b> UL: UL508, UL1012, UL60950-1 CSA: CSA C22.2 No. 14 CSA No. 60950-1 EN/VDE: EN50178 (=VDE0160), EN60950-1 (=VDE0805 Teil 1)		UL: UL508, UL1012 CSA: EB1402C, C22.2 No. 14 EN/VDE: EN50178 (=VDE0160), EN60950-1 (=VDE0805 Teil 1) Terminal types (only terminal part): VDE0106/P100 Based on VE0106/P100	
Weight (See note 10.)		250 g max.	350 g max.	400 g max.	500 g max.	1,000 g max.	2,000 g max.	2,500 g max.		

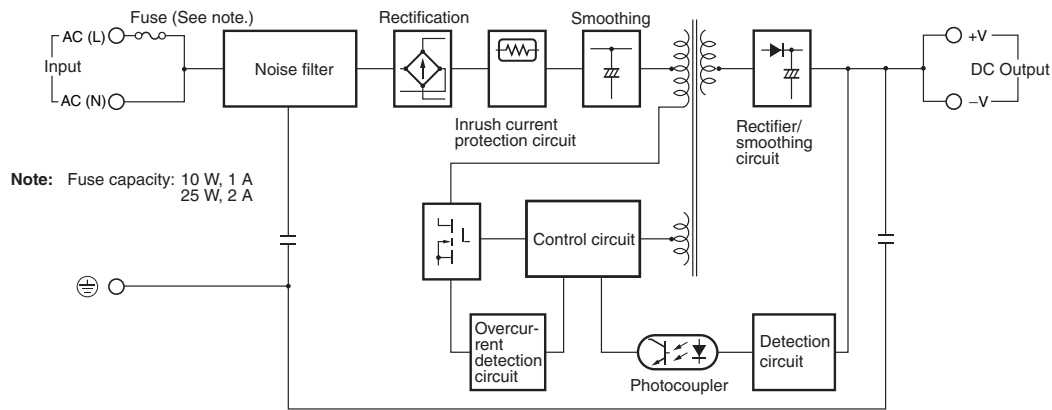
- Note:** 1. When a load is connected that has a built-in DC-DC converter, the overload protection may operate at startup and the power supply may not start. Be sure to select a Power Supply with sufficient capacity. Refer to *Overload Protection* on page 10 for details.
2. Do not use the Inverter output for the Power Supply. Inverters with an output frequency of 50/60 Hz are available, but the rise in the internal temperature of the Power Supply may result in ignition or burning.
3. Defined with a 100% load and the rated input voltage (100 or 200 VAC.)
4. The output specification is defined at the power output terminals.
5. If the output voltage adjuster (V. ADJ) is turned, the voltage will increase by more than +10% of the voltage adjustment range. When adjusting the output voltage, confirm the actual output voltage from the Power Supply and be sure that the load is not damaged.
6. Refer to *Overload Protection* on page 10 for details.
7. For resetting, turn OFF the power, leave for more than one minute, and then turn it ON again.
8. The protection-ON alarm indicator will light as soon as the output is interrupted. For resetting, turn OFF the input power, leave for more than three minutes (90 seconds min. for the 300-W models), and then turn it back ON again.
9. Radiated emissions: The noise value is affected by factors such as the wiring method. For 300-W and 600-W models, use shielded wire for all wiring, and insert one noise clamp filter (TDK, ZCAT3035-1330) on the input wire, and two noise clamp filters on the load wire.
10. The weight indicated is the weight of the open-frame type. (Includes the covers for 300-W and 600-W models)

## Connections

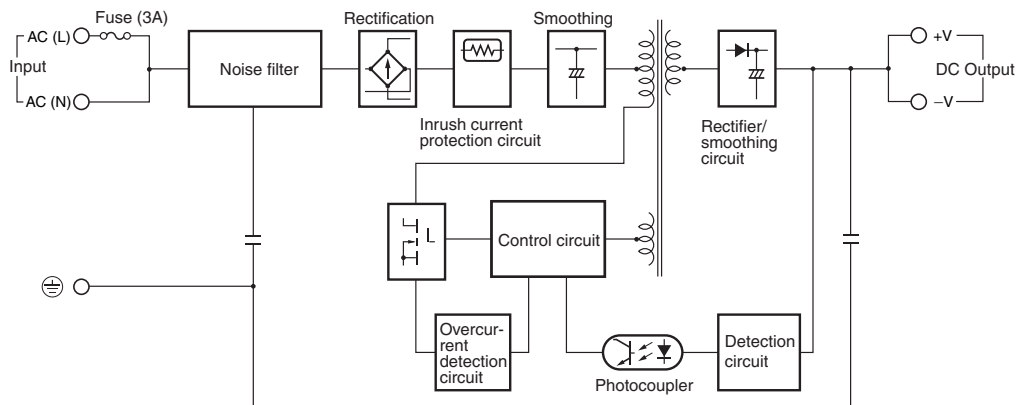
### ■ Block Diagrams

S82J-010□□□□ (10 W)

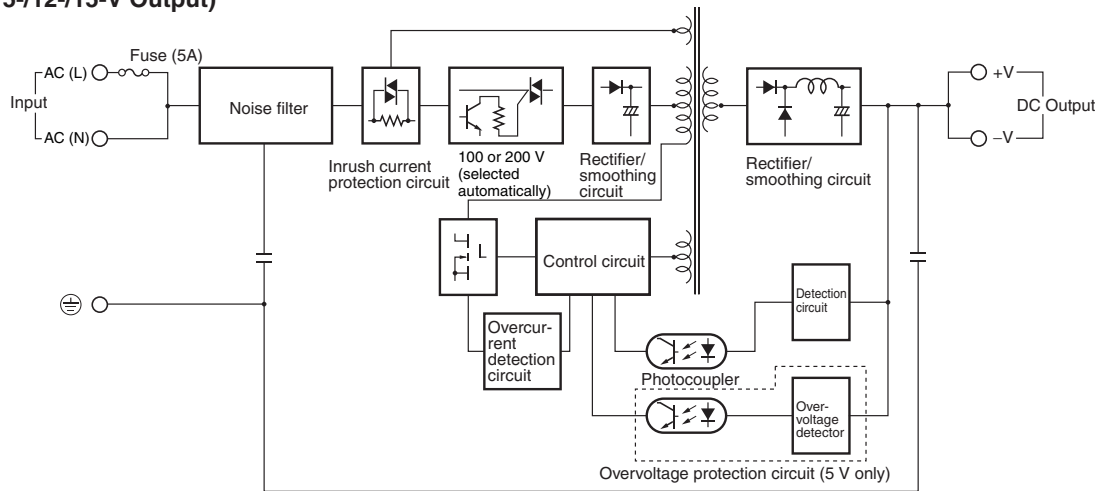
S82J-025□□□□ (25 W)



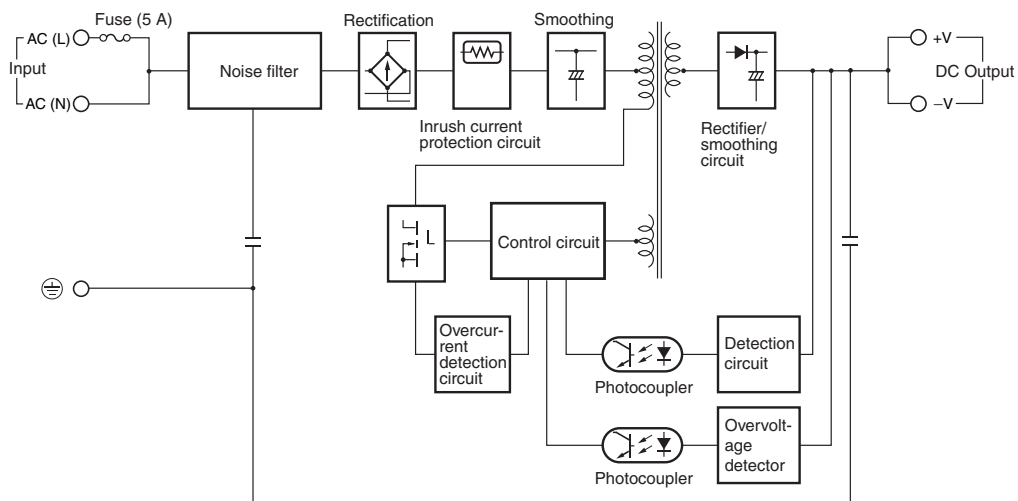
S82J-050□□□□ (50 W)



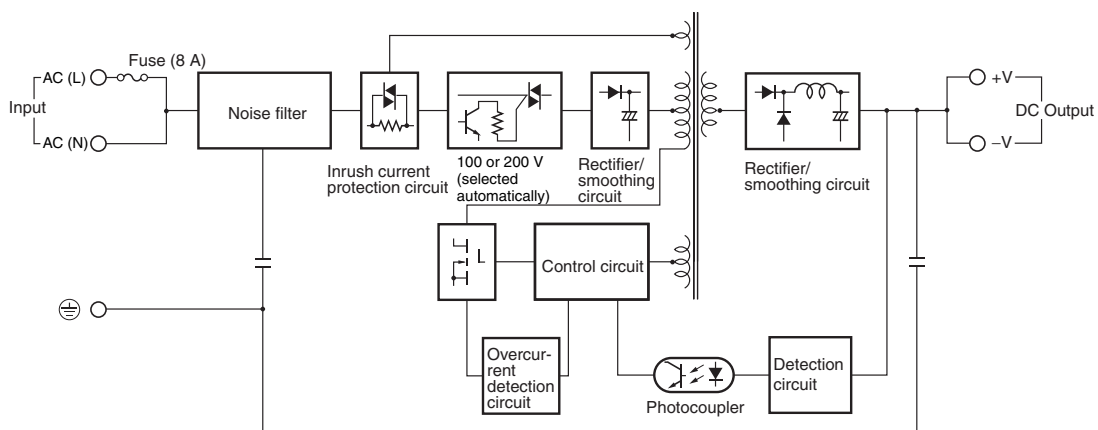
**S82J-100** (100 W, 5-/12-/15-V Output)



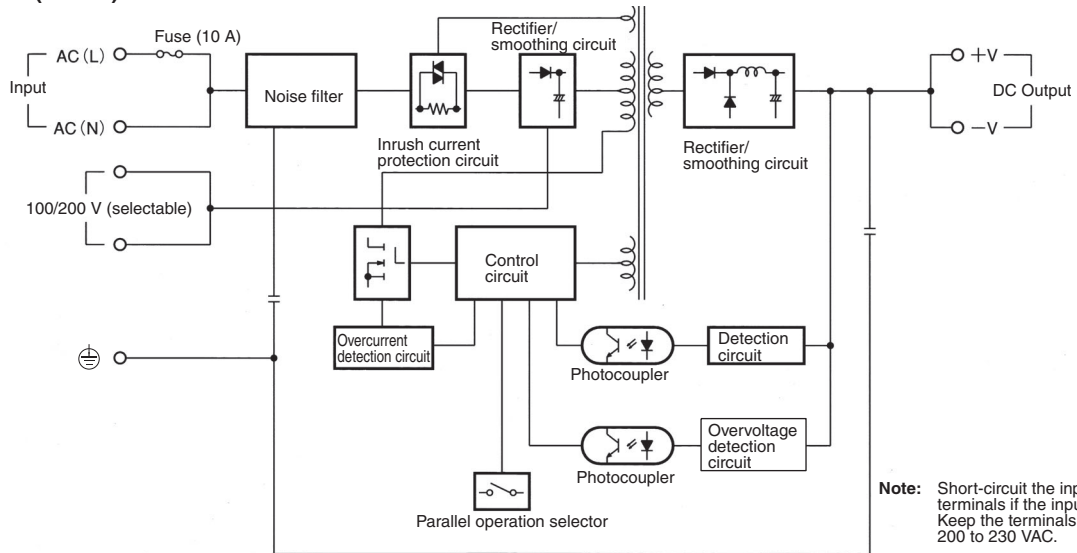
**S82J-10024** (100 W, 24-V Output)



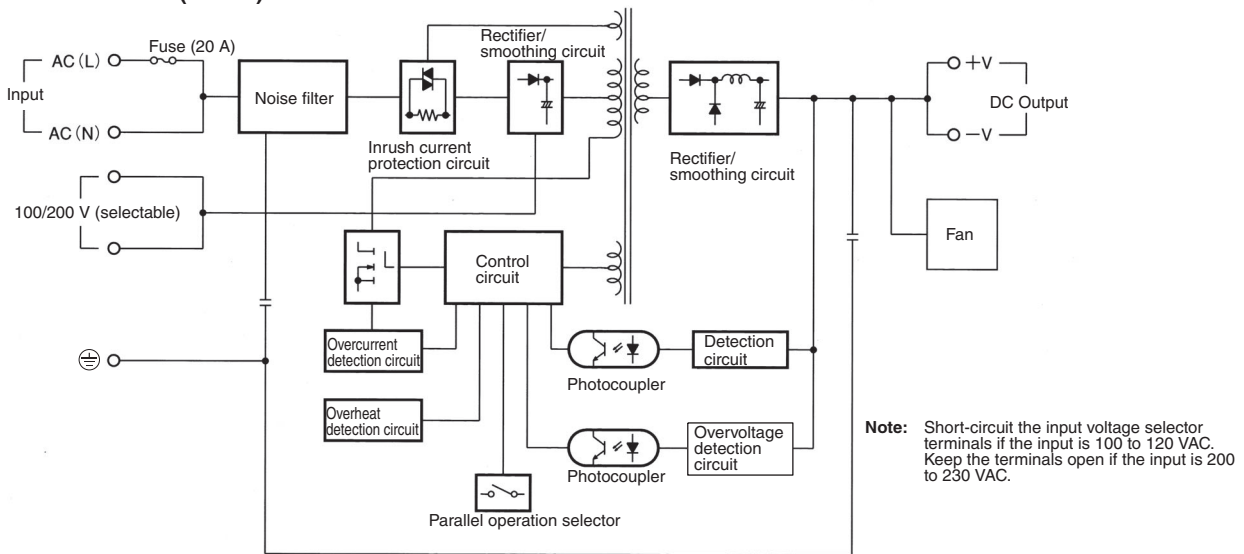
**S82J-15024** (150 W)



S82J-30024□ (300 W)



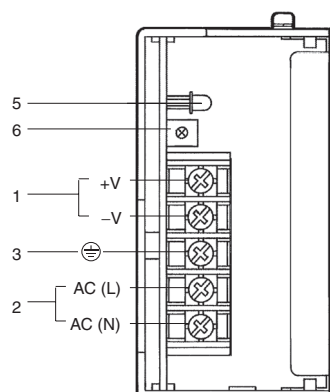
S82J-60024□ (600 W)



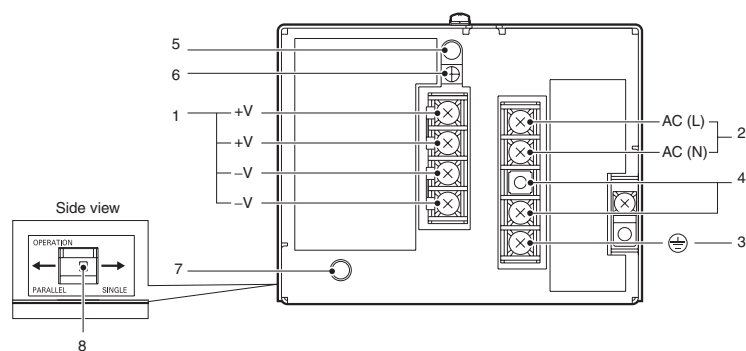
# Construction and Nomenclature

## ■ Nomenclature

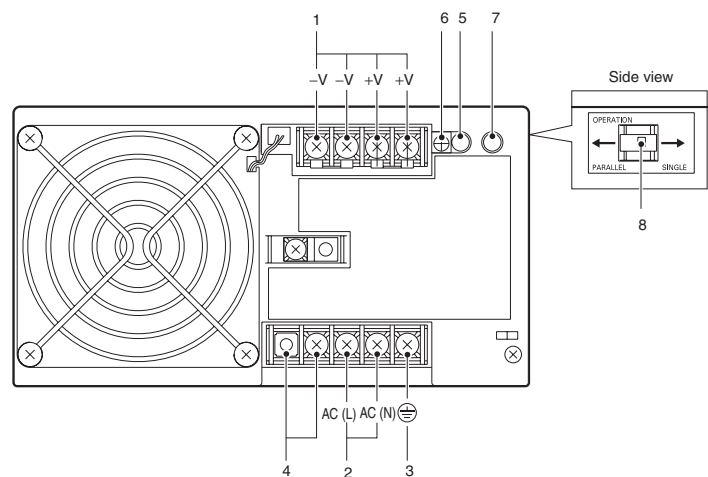
### 10-/25-/50-/100-/150-W Models



### 300-W Models



### 600-W Models



**1. DC Output Terminals (+V), (-V):** Connect the load lines to these terminals.

**2. AC Input Terminals (L), (N):** Connect the input lines to these terminals.

**Note: 1.** The fuse is located on the (L) side. It is NOT user replaceable.

**2.** For DC input (10-W, 25-W models), use the (L) terminal as the positive terminal.

**3. Protective Earthing Terminal (⊖):** Connect the ground line to this terminal.

**4. Input Voltage Selector Terminals:** Short-circuit the terminals if the input is 100 to 120 VAC and open the terminals if the input is 200 to 230 VAC

**5. Output Indicator (DC ON: Green):** Lights while a Direct Current (DC) output is ON.

**6. Output Voltage Adjuster (V.ADJ):** It is possible to increase or decrease the output voltage by 10%.

**7. Protection-ON Alarm Indicator (DC ON: Red):** The red indicator will be lit if the overvoltage (for a 300-/600-W model) or overheat protection (for a 600-W model) circuit is triggered. This indicator will also be lit when overload (for a 600-W model) is detected.

**8. Selector of Parallel Operation:** Set the selector to PARALLEL if the Units are in parallel operation.

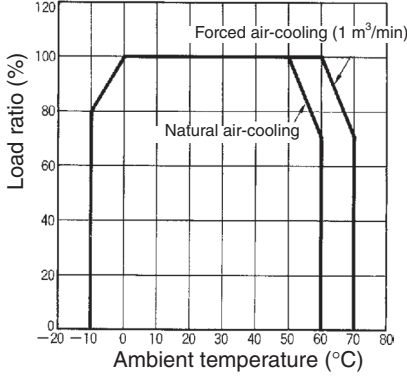


# Engineering Data

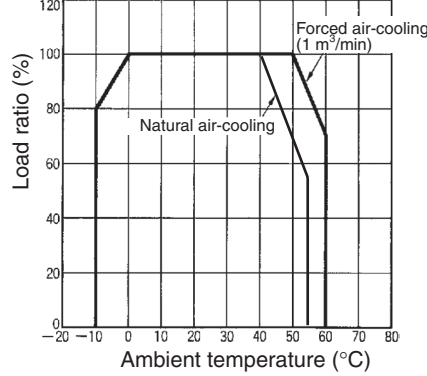
## Derating Curve (for Standard Mounting)

10-/25-/50-/100-/150-W Model

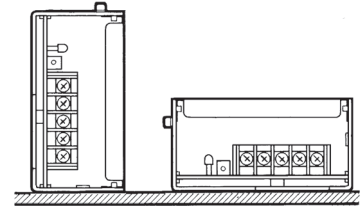
Open-frame Type



Covered Type



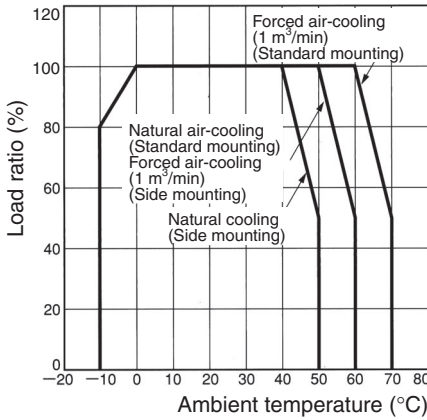
Standard Mounting



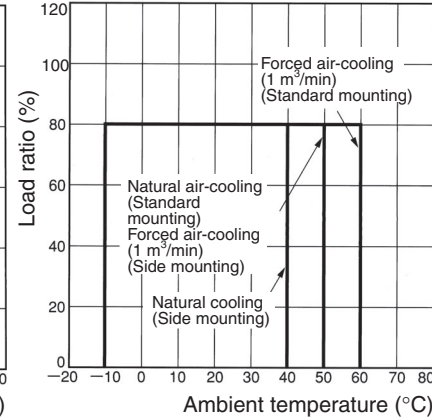
**Note:** The derating curve shown is for standard mounting. The derating curve depends on the mounting direction of the Power Supply.

300-W Model

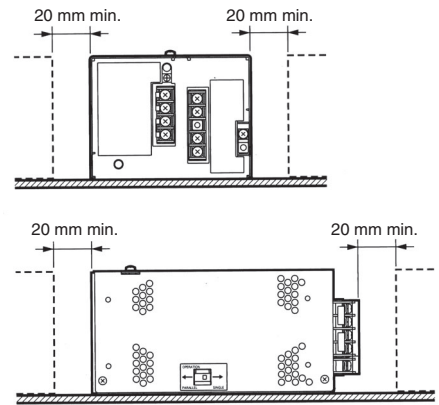
Single-unit Operation



Parallel Operation



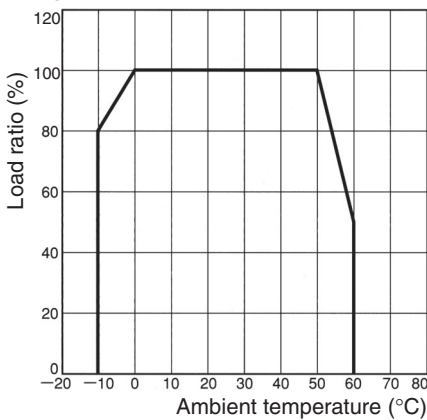
Standard Mounting



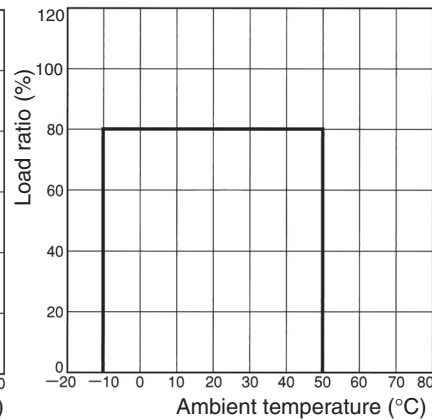
**Note:** Provide a minimum clearance of 20 mm between the Power Supplies.

600-W Model

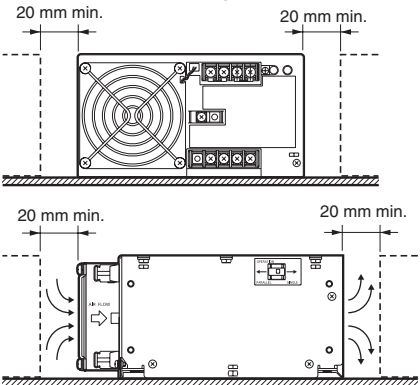
Single-unit Operation



Parallel Operation



Standard Mounting



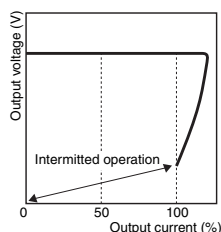
**Note:** Provide a minimum clearance of 20 mm between the Power Supplies.

## ■ Overload Protection

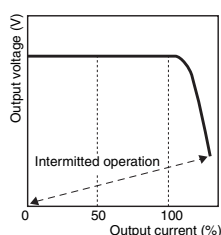
### 10- to 300-W Models

The Power Supply is provided with an overload protection function that protects the Power Supply from possible damage by overcurrent. When the output current rises above 105% to 160% of the rated output current, the protection function is triggered, automatically decreasing the output voltage. When the output current falls within the rated range, the overload protection function is automatically cleared.

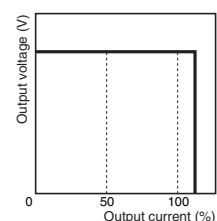
#### 10 W, 25 W Models



#### 50 W, 100 W (24-V) Models



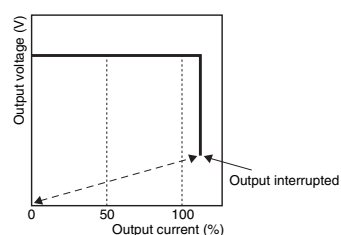
#### 100 W (5-V, 12-V, 15-V), 150 W, 300 W Models



The values shown in the above diagrams are for reference only.

- Note:**
1. If the S82J is connected to a load with a built-in DC-DC converter, the overload protection function may be triggered at startup, and consequently the S82J may not operate.
  2. Internal parts may occasionally deteriorate or be damaged if a short-circuited or other overcurrent state continues during operation. Eliminate the overcurrent state as soon as possible.
  3. In actual operation, the output voltage may not fall to 0 V when the overload protection function is triggered. Even with short-circuits on the load side, the drop in voltage will vary depending on factors such as the impedance in the load line.
  4. The overload protection function is specified at 105% or more of the rated output current for 300-W models.

### 600-W Models



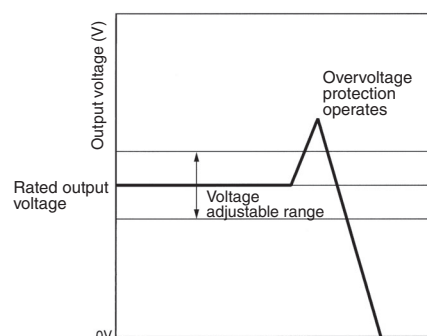
If an excessive current flows for 5 s or more, the output will be turned OFF and simultaneously the protection-ON alarm indicator will be lit. To reset the S82J, turn OFF the power, leave the S82J for at least three minutes, and then turn it ON again.

**Note:** Internal parts may occasionally deteriorate or be damaged if a short-circuited state continues during operation. Eliminate the overcurrent state as soon as possible.

## ■ Overvoltage Protection

### 100-W (5-, 24-V Output) Models

Consider the possibility of an overvoltage and design the system so that the load will not be subjected to an excessive voltage even if the feedback circuit in the Power Supply fails. When an excessive voltage that is approximately 120% of the rated voltage or more is output, the output voltage is shut OFF, preventing damage to the load due to overvoltage. Reset the input power by turning it OFF for at least one minute and then turning it back ON again.



The values shown in the above diagram are for reference only.

### 300- and 600-W Models

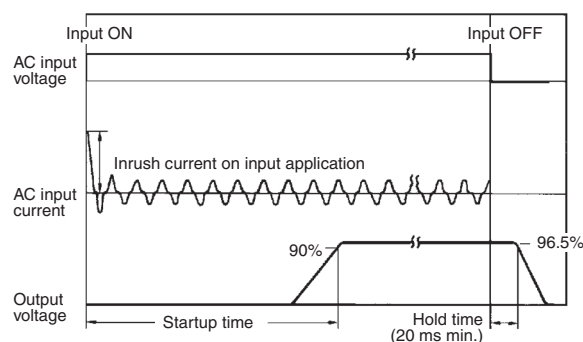
When an excessive voltage that is approximately 120% of the rated voltage or more is output, the output voltage will be turned OFF and simultaneously the protection-ON alarm indicator will be lit. Reset the input power by turning it OFF for at least three minutes (90 seconds for 300-W models) and then turning it back ON again.

## ■ Overheat Protection Function

### 600-W Models Only

If the internal temperature rises excessively as a result of fan failure or any other reason, the overheat protection circuit will be triggered to protect the internal parts and simultaneously the protection-ON alarm indicator will be lit. Reset the input power by turning it OFF for at least three minutes and then turning it back ON again.

## ■ Inrush Current, Startup Time, Hold Time



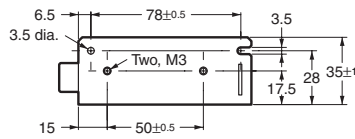
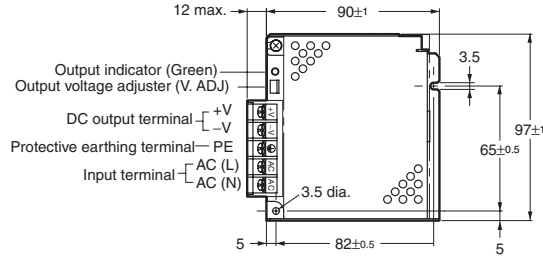
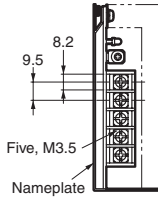
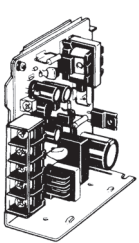
**Note:** Models with a 100 to 240 V (free) input have a higher inrush current energy than models with a single rated input voltage or models with a switchable input voltage. Be sure to coordinate breaker with the inrush current energy.

# Dimensions

Note: All units are in millimeters unless otherwise indicated.  
Open-frame type and covered type have the same dimensions.

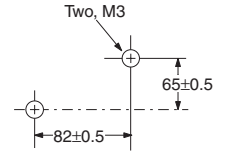
## Front-mounting Bracket Models

S82J-010□□□ (10 W)

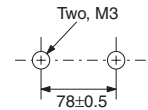


Mounting Holes  
(Surface Screw Mounting)

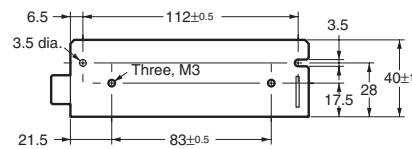
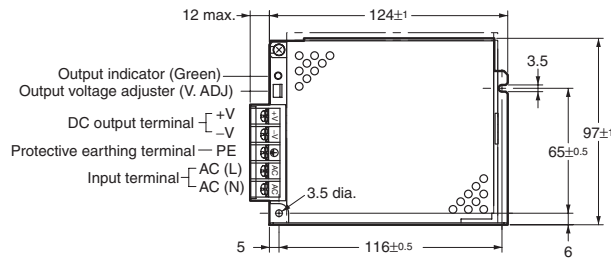
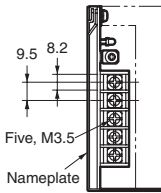
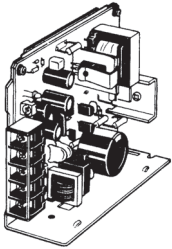
Side Mounting



Bottom Mounting

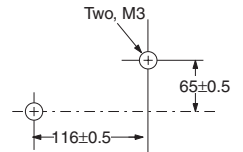


S82J-025□□□ (25 W)

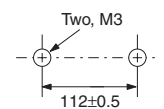


Mounting Holes  
(Surface Screw Mounting)

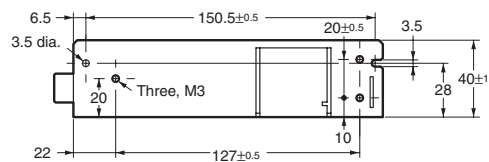
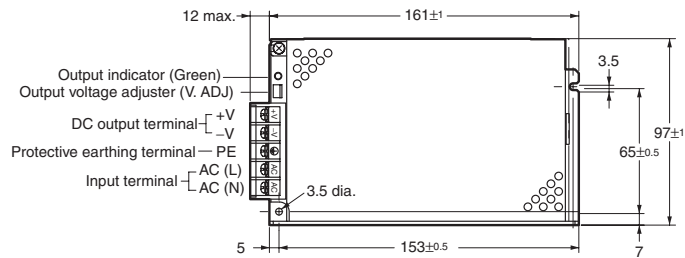
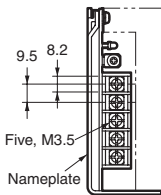
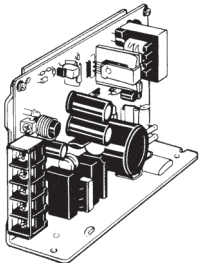
Side Mounting



Bottom Mounting

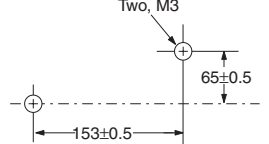


S82J-050□□□ (50 W)

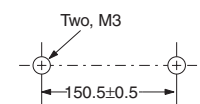


Mounting Holes  
(Surface Screw Mounting)

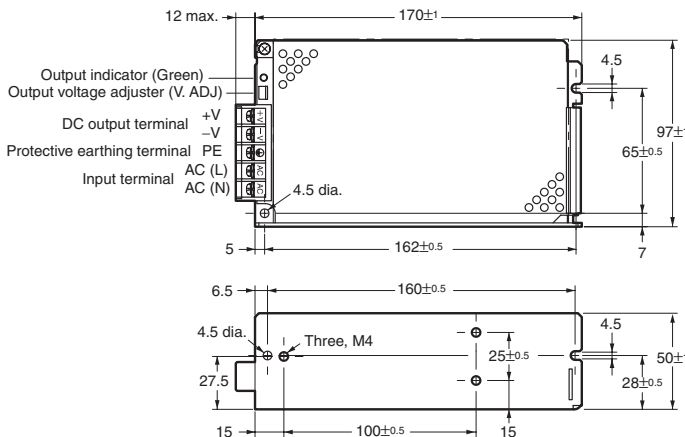
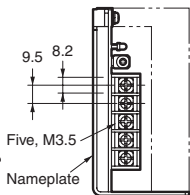
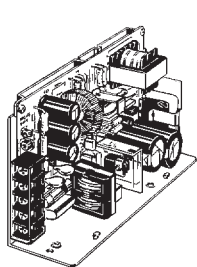
Side Mounting



Bottom Mounting

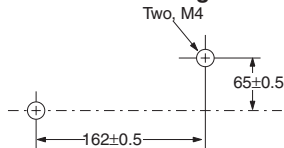


## S82J-10024 (100 W, 24-V Output)

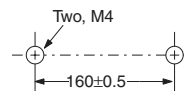


### Mounting Holes (Surface Screw Mounting)

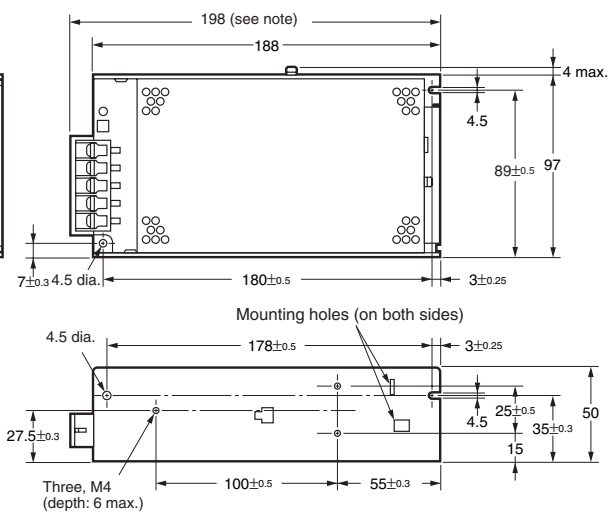
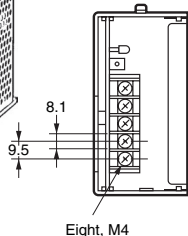
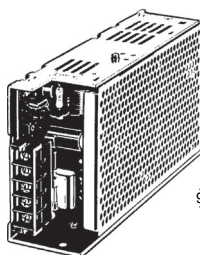
#### Side Mounting



#### Bottom Mounting

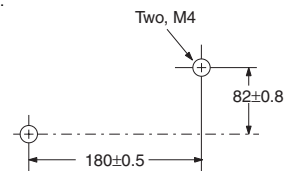


## S82J-100 (100 W, 5-/12-/15-V Output) S82J-15024 (150 W)

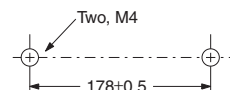


### Mounting Holes (Surface Screw Mounting)

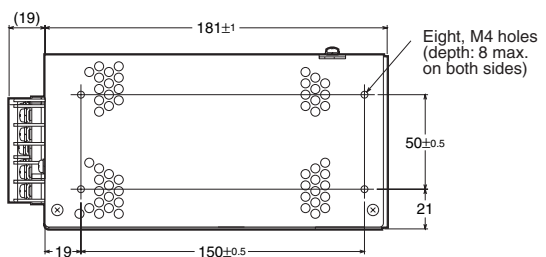
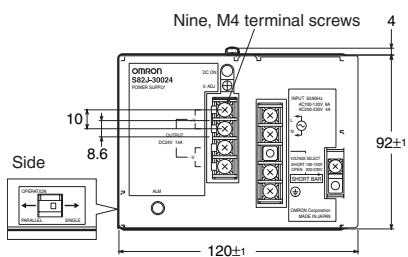
#### Side Mounting



#### Bottom Mounting

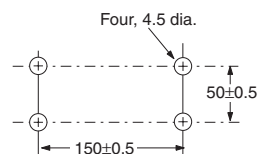


## S82J-30024 (300 W)

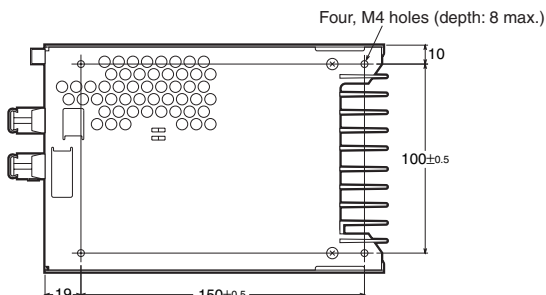
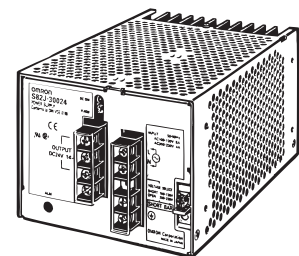
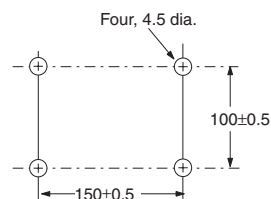


### Mounting Holes (Surface Screw Mounting)

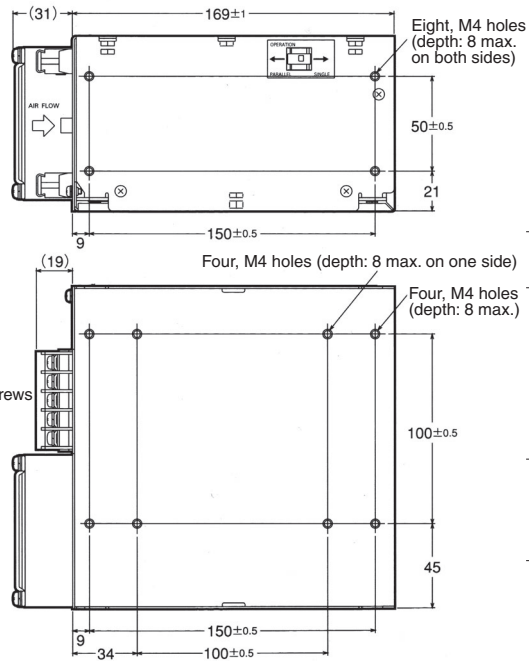
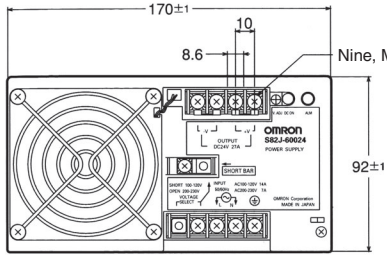
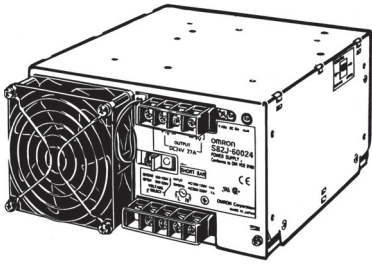
#### Side Mounting



#### Bottom Mounting

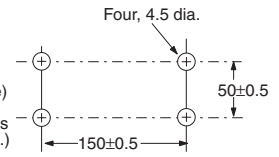


S82J-60024 (600 W)

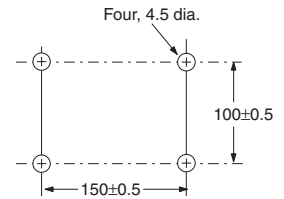


Mounting Holes (Surface Screw Mounting)

Side Mounting



Bottom Mounting

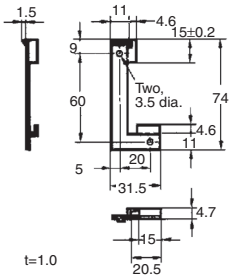


■ Dimensions with Mounting Brackets

Note: Panel mounting screw are not supplied.

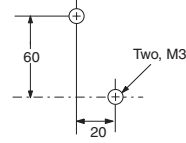
Front-mounting Bracket (Supplied)

For 10-/25-/50-/100 (24 V)-W Models



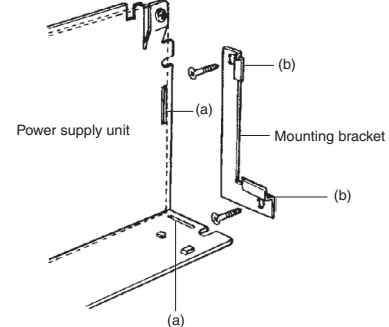
Material: Stainless steel

Mounting Holes



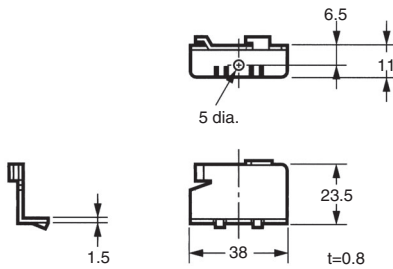
Using the Mounting Bracket

Attach the mounting bracket to the panel and loosely tighten the two screws. Insert the projected parts of the bracket (b) to the square holes of the power supply (a). Then securely tighten the screws.



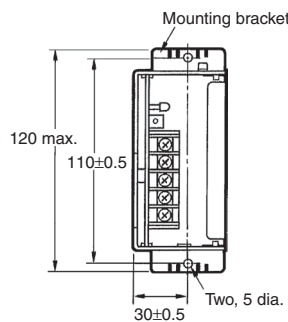
Note: The mounting screws are not provided.

For 100- (5, 12, 15 V) and 150-W Models

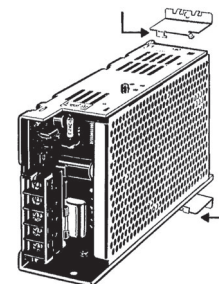


Note: The brackets are for front-mounting.

Dimensions with Mounting Brackets



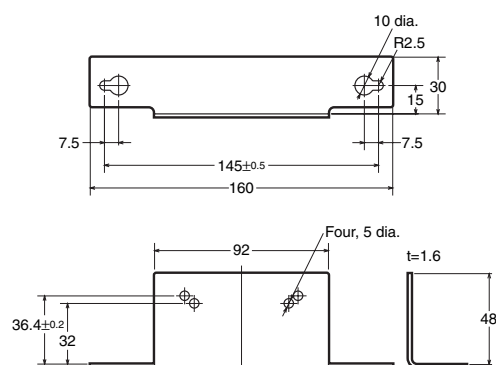
Attaching the Mounting Brackets



## 300-W and 600-W Models

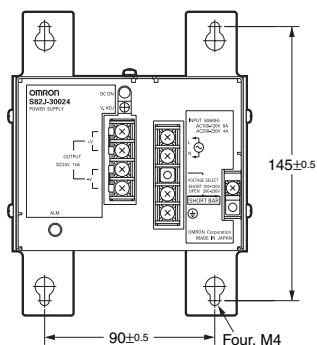
**Note:** A mounting bracket is included with the S82J-30024 and S82J-60024, but not with the S82J-30024N and S82J-60024N.

### For 300-W Models (S82Y-J30F)

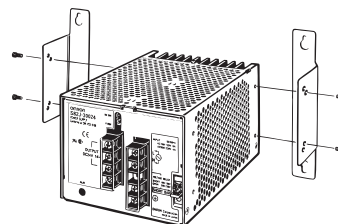


**Note:** Mounting Brackets are provided in a set, one for the right side and one for the left side.

### Dimensions with Mounting Brackets For 300-W Models

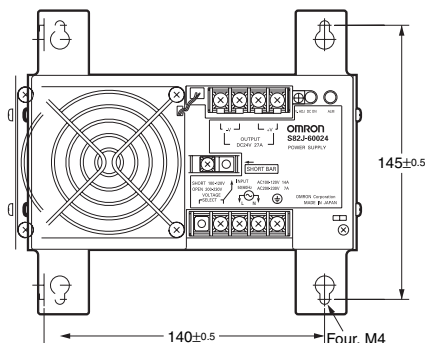


### Attaching the Mounting Brackets For 300-W Models

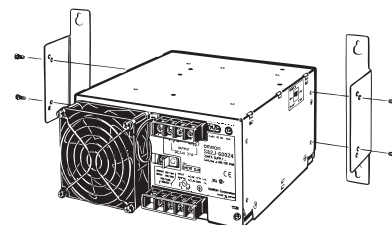


**Note:** To provide ventilation space, the body will shift forward by 21.6 mm from the mounting surface.

### Dimensions with Mounting Brackets For 600-W Models



### Attaching the Mounting Brackets For 600-W Models

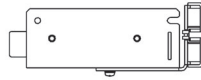
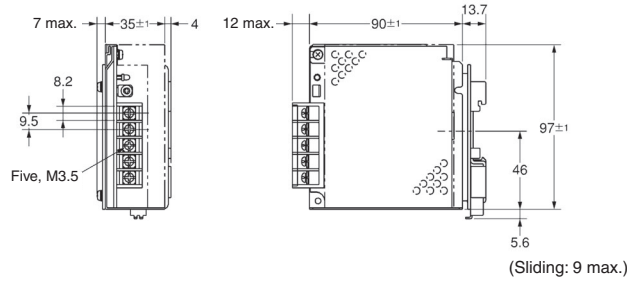
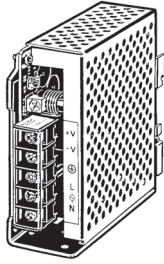


**Note:** To provide ventilation space, the body will shift forward by 23.6 mm from the mounting surface.

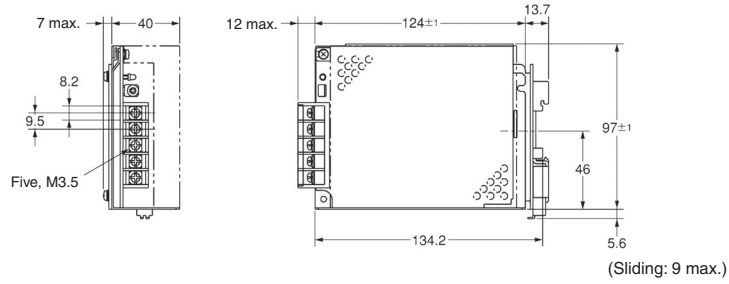
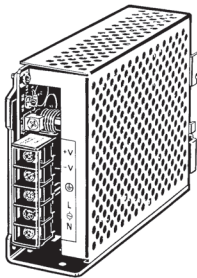
## ■ DIN Rail Mounting Bracket Models

**Note:** All units are in millimeters unless otherwise indicated. The open-frame type and connected type have the same dimensions.

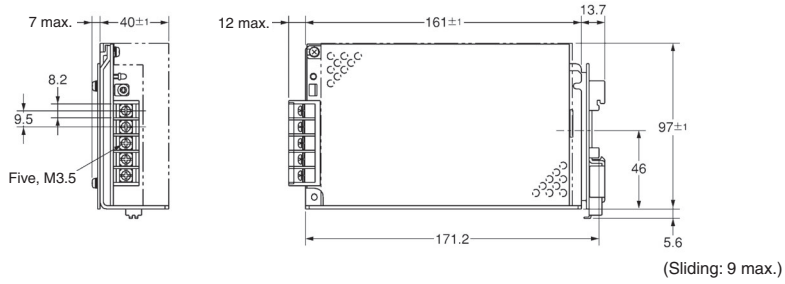
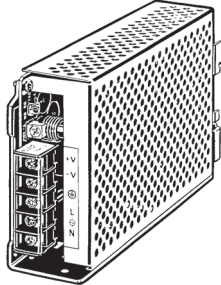
**S82J-010□□□D (10 W)**



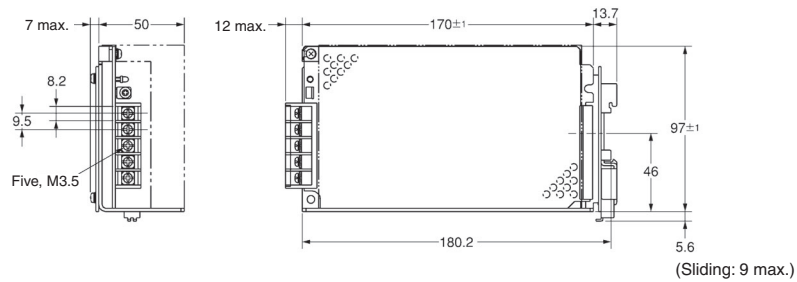
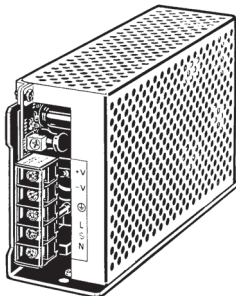
**S82J-025□□□D (25 W)**



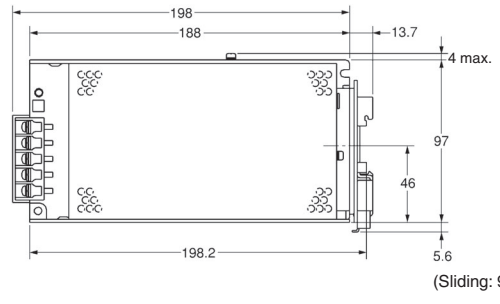
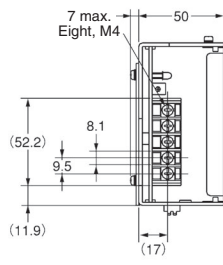
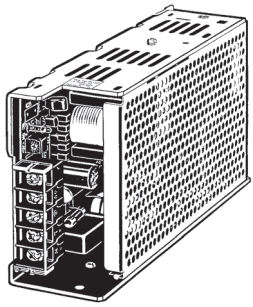
**S82J-050□□□D (50 W)**



**S82J-10024□D  
(100 W, 24-V Output)**



S82J-100□□□D (100 W, 5-/12-/15-V Output)  
S82J-15024□□D (150 W)





## ■ Front-mounting Bracket for S82J-10024A/-10024D Power Supply (Order Separately)

(Unit: mm)

Product	Model number	Dimensions	Mounting hole dimensions
Front-mounting Bracket	S82Y-J10F		

**Note:** This Front-mounting Bracket cannot be used with S82J 100-W (5, 12, or 15-V) or 150-W models.

## ■ DIN Rail Mounting Bracket (Order Separately)

Can be used with 10-W to 150-W Front-mounting bracket models.

If DIN Rail mounting is necessary, use a DIN Rail Mounting Bracket.

Model	Power Rating	Applicable Quick-mounting Base
S82J	10 W	S82Y-01N
	25 W	S82Y-03N
	50 W	S82Y-05N
	100 W, 150 W	S82Y-10N



Main unit

Quick-mounting base

PPF-100N (or PPF-100N2)

Mounting rail

Two, 4.5-dia. holes

Panel thickness (t): 1.6 mm

**Size**

Model	L1	L2 (See note.)
S82Y-01N	113	114.8
S82Y-03N	143	144.8
S82Y-05N	163	164.8
S82Y-10N	185	186.8

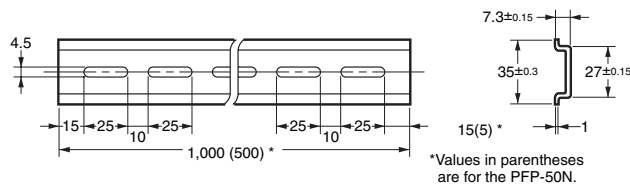
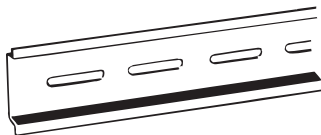
**Note:** The L2 dimension refers to using the PPF-100N on a DIN rail. When using the PPF-100NS, add 10.5 mm to L2.

## ■ DIN Rail (Order Separately)

**Note:** All units are in millimeters unless otherwise indicated.

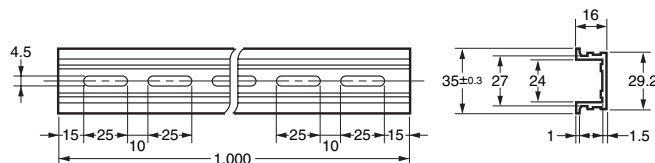
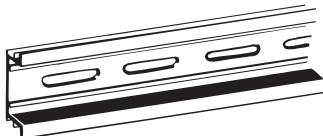
### Mounting Rail (Material: Aluminum)

PPF-100N  
PPF-50N



### Mounting Rail (Material: Aluminum)

PPF-100N2



# Safety Precautions

Refer to *Safety Precautions for All Power Supplies*.

## CAUTION

Minor electric shock, fire, or Product failure may occasionally occur. Do not disassemble, modify, or repair the Product or touch the interior of the Product.



Minor burns may occasionally occur. Do not touch the Product while power is being supplied or immediately after power is turned OFF.



Fire may occasionally occur. Tighten terminal screws to the specified torque 0.74 N·m for 10-, 25-, 50-, or 100-W models (24-V output); or 1.08 N·m for 100- (5-, 12-, or 15-V output), 150-, 300-, or 600-W models.



Minor injury due to electric shock may occasionally occur. Do not touch the terminals while power is being supplied.



Minor electric shock, fire, or Product failure may occasionally occur. Do not allow any pieces of metal or conductors or any clippings or cuttings resulting from installation work to enter the Product.



## Precautions for Safe Use

### Mounting

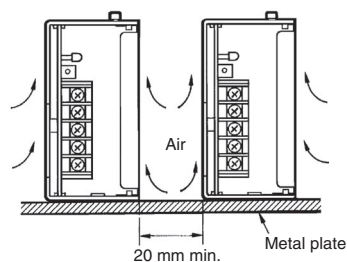
To improve and maintain the reliability of the Power Supply over a long period of time, adequate consideration must be given to heat radiation.

The Power Supply is designed to radiate heat by means of natural air-flow. Therefore, mount the Power Supply so that air flow takes place around the Power Supply.

When mounting the Power Supply, mounting it to a metal plate is recommended.

When mounting two or more Power Supplies side-by-side, allow at least 20 mm spacing between them, as shown in the following illustration.

Forced air-cooling is recommended.



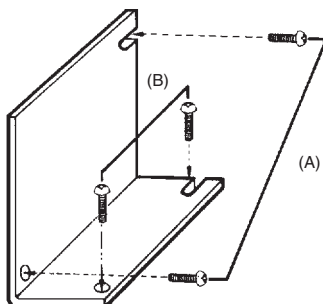
### Mounting Methods

The following mounting methods are available.

#### 10-/25-/50-/100 (24-V Output)-W Models

- (A) Side mounting
- (B) Bottom mounting
- (C) Front mounting (see *Accessories*)

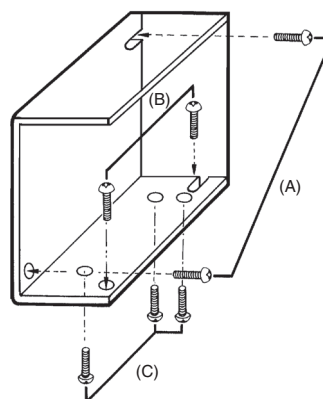
**Note:** Refer to the section on the Mounting Bracket.



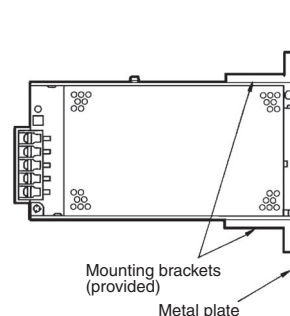
#### 100 (-5, -12, -15 V Output)/150-/300-/600-W Models

The following 4 mounting methods are possible.

- (A) Side mounting
- (B) Bottom mounting (secured with screws from the inside of the Switching Power Supply) (except for 300- and 600-W models)
- (C) Bottom mounting (secured with screws from the back of the Switching Power Supply)



- (D) Front mounting  
Front mounting is possible with the mounting brackets provided. Refer to *Dimensions* on page 11.



### Wiring

Connect the ground completely. Electric shock or malfunction may occur if the ground is not connected completely.

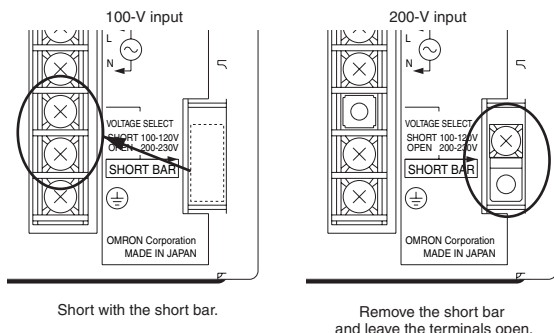
Tighten terminal screws to the following specified torque.

Capacity	Terminal screws	Torque
10-, 25-, 50-, or 100-W (24 V)	M3.5	0.74 N·m
100-W (5-, 12-, or 15-V), 150-, 300-, 600-W	M4	1.08 N·m

Do not apply more than 75-N force to the terminal block when tightening it.

## Switching the AC Input Voltage between 100 and 200 V (300- and 600-W Models)

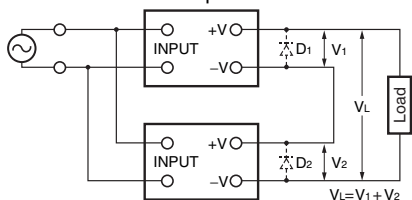
The input voltage can be switched between 100 and 200 V by shorting or opening the input voltage selection terminals. Set the required voltage as shown below. (The voltage is factory-set to 200 V.)



**Note:** A 300-W Model is shown above.

## Series Operation

Only models with power ratings of 50, 100 (-5, -12, -15, 24-output), 150, 300, or 600-W allow series operation.



Model	Output capacity	Rated output voltage
S82J	100 W	5, 12, 15, 24 VDC
	50, 150, 300, 600 W	24 VDC

Up to two of the above Power Supplies can be used in series operation. Models other than the above Power Supplies cannot be used in series operation.

If series operation is attempted for other models, the output from one of the Power Supplies may not come ON when the AC input is applied. If that occurs and the Power Supplies are left in that state, internal circuits may be damaged.

Although Power Supplies having different output capacities and different output voltages can be connected in series, the current flowing through the load must not exceed the smaller rated output current.

With the S82J-05024□□ or S82J-10024□□, if the load is shorted a reverse voltage may result in the Power Supply causing deterioration and damage. It is recommended that diodes are connected as shown in the previous diagram (D<sub>1</sub>, D<sub>2</sub>).

Type	Schottky barrier diode
Dielectric strength (VRRM)	Twice the rated output voltage or above
Forward current (IF)	Twice the rated output current or above

## Parallel Operation

Only 300- and 600-W models can be in parallel operation. Do not operate any other models in parallel. The output of the models in parallel operation is a maximum of 80% of the rated output.

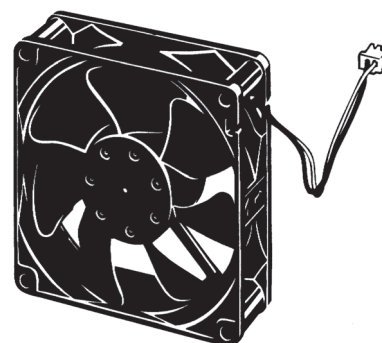
Set the parallel operation selector to PARALLEL if the Units are in parallel operation and make sure that the thickness and the length of all wires connected to the load are the same to ensure that the wires will have no voltage drop differences.

If you adjust the voltage using the output voltage adjuster (V.ADJ), adjust the output voltage from both Power Supplies.

## Fan Replacement

The service life of the fan is approximately 50,000 hours (at 25°C). The service life varies, however, depending on the ambient temperature or other surrounding environmental conditions such as dust. As a preventive maintenance measure, replace the fan within approx. two years if it is used at an ambient temperature of 40°C.

Fans are available as replacements.

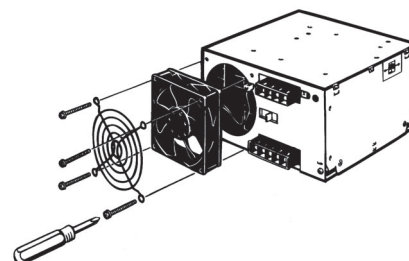


Model: S82Y-JFAN

Fan Set:

Fan (above), four M4 x 35 sems screws, instruction sheet, and packing case

Replace the fan as shown in the following illustration.



ALL DIMENSIONS SHOWN ARE IN MILLIMETERS.

To convert millimeters into inches, multiply by 0.03937. To convert grams into ounces, multiply by 0.03527.

In the interest of product improvement, specifications are subject to change without notice.

## Read and Understand This Catalog

Please read and understand this catalog before purchasing the products. Please consult your OMRON representative if you have any questions or comments.

## Warranty and Limitations of Liability

### WARRANTY

OMRON's exclusive warranty is that the products are free from defects in materials and workmanship for a period of one year (or other period if specified) from date of sale by OMRON.

OMRON MAKES NO WARRANTY OR REPRESENTATION, EXPRESS OR IMPLIED, REGARDING NON-INFRINGEMENT, MERCHANTABILITY, OR FITNESS FOR PARTICULAR PURPOSE OF THE PRODUCTS. ANY BUYER OR USER ACKNOWLEDGES THAT THE BUYER OR USER ALONE HAS DETERMINED THAT THE PRODUCTS WILL SUITABLY MEET THE REQUIREMENTS OF THEIR INTENDED USE. OMRON DISCLAIMS ALL OTHER WARRANTIES, EXPRESS OR IMPLIED.

### LIMITATIONS OF LIABILITY

OMRON SHALL NOT BE RESPONSIBLE FOR SPECIAL, INDIRECT, OR CONSEQUENTIAL DAMAGES, LOSS OF PROFITS OR COMMERCIAL LOSS IN ANY WAY CONNECTED WITH THE PRODUCTS, WHETHER SUCH CLAIM IS BASED ON CONTRACT, WARRANTY, NEGLIGENCE, OR STRICT LIABILITY.

In no event shall the responsibility of OMRON for any act exceed the individual price of the product on which liability is asserted.

IN NO EVENT SHALL OMRON BE RESPONSIBLE FOR WARRANTY, REPAIR, OR OTHER CLAIMS REGARDING THE PRODUCTS UNLESS OMRON'S ANALYSIS CONFIRMS THAT THE PRODUCTS WERE PROPERLY HANDLED, STORED, INSTALLED, AND MAINTAINED AND NOT SUBJECT TO CONTAMINATION, ABUSE, MISUSE, OR INAPPROPRIATE MODIFICATION OR REPAIR.

## Application Considerations

### SUITABILITY FOR USE

OMRON shall not be responsible for conformity with any standards, codes, or regulations that apply to the combination of products in the customer's application or use of the products.

At the customer's request, OMRON will provide applicable third party certification documents identifying ratings and limitations of use that apply to the products. This information by itself is not sufficient for a complete determination of the suitability of the products in combination with the end product, machine, system, or other application or use.

The following are some examples of applications for which particular attention must be given. This is not intended to be an exhaustive list of all possible uses of the products, nor is it intended to imply that the uses listed may be suitable for the products:

- Outdoor use, uses involving potential chemical contamination or electrical interference, or conditions or uses not described in this catalog.
- Nuclear energy control systems, combustion systems, railroad systems, aviation systems, medical equipment, amusement machines, vehicles, safety equipment, and installations subject to separate industry or government regulations.
- Systems, machines, and equipment that could present a risk to life or property.

Please know and observe all prohibitions of use applicable to the products.

NEVER USE THE PRODUCTS FOR AN APPLICATION INVOLVING SERIOUS RISK TO LIFE OR PROPERTY WITHOUT ENSURING THAT THE SYSTEM AS A WHOLE HAS BEEN DESIGNED TO ADDRESS THE RISKS, AND THAT THE OMRON PRODUCTS ARE PROPERLY RATED AND INSTALLED FOR THE INTENDED USE WITHIN THE OVERALL EQUIPMENT OR SYSTEM.

### PROGRAMMABLE PRODUCTS

OMRON shall not be responsible for the user's programming of a programmable product, or any consequence thereof.

## Disclaimers

### CHANGE IN SPECIFICATIONS

Product specifications and accessories may be changed at any time based on improvements and other reasons.

It is our practice to change model numbers when published ratings or features are changed, or when significant construction changes are made. However, some specifications of the products may be changed without any notice. When in doubt, special model numbers may be assigned to fix or establish key specifications for your application on your request. Please consult with your OMRON representative at any time to confirm actual specifications of purchased products.

### DIMENSIONS AND WEIGHTS

Dimensions and weights are nominal and are not to be used for manufacturing purposes, even when tolerances are shown.

### PERFORMANCE DATA

Performance data given in this catalog is provided as a guide for the user in determining suitability and does not constitute a warranty. It may represent the result of OMRON's test conditions, and the users must correlate it to actual application requirements. Actual performance is subject to the OMRON Warranty and Limitations of Liability.

### ERRORS AND OMISSIONS

The information in this document has been carefully checked and is believed to be accurate; however, no responsibility is assumed for clerical, typographical, or proofreading errors, or omissions.

2008.12

In the interest of product improvement, specifications are subject to change without notice.

**OMRON Corporation**  
Industrial Automation Company

<http://www.ia.omron.com/>

(c)Copyright OMRON Corporation 2008 All Right Reserved.