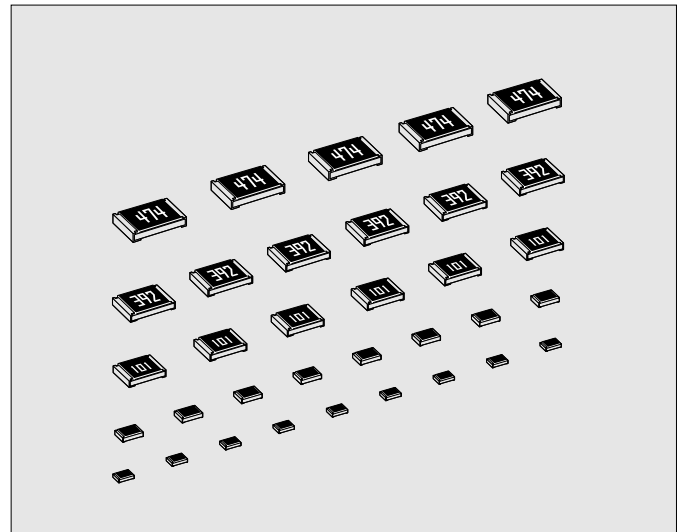


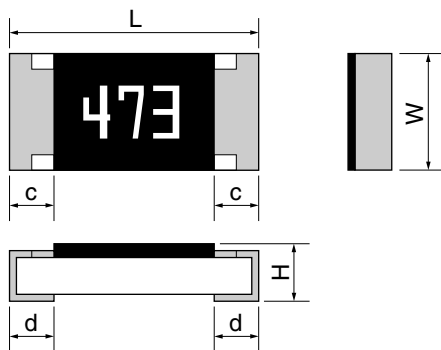
RGC

•Features

1. Suitable for precision applications.
2. High stabilized characteristics and Performance equivalent to thin-film chip resistors.
3. Precise Dimension by Laser-scriber method (RGC1/20).
4. Press Pocket Taping Package (RGC1/20).
5. Stability Class : 5%



•Dimensions



Rated resistance value marking is with 3-digit (E24) or 4-digit (E96) on the over coating.
 RGC1/16 : only 3digit marking is available.
 RGC1/16S,1/20 : only No marking is available.

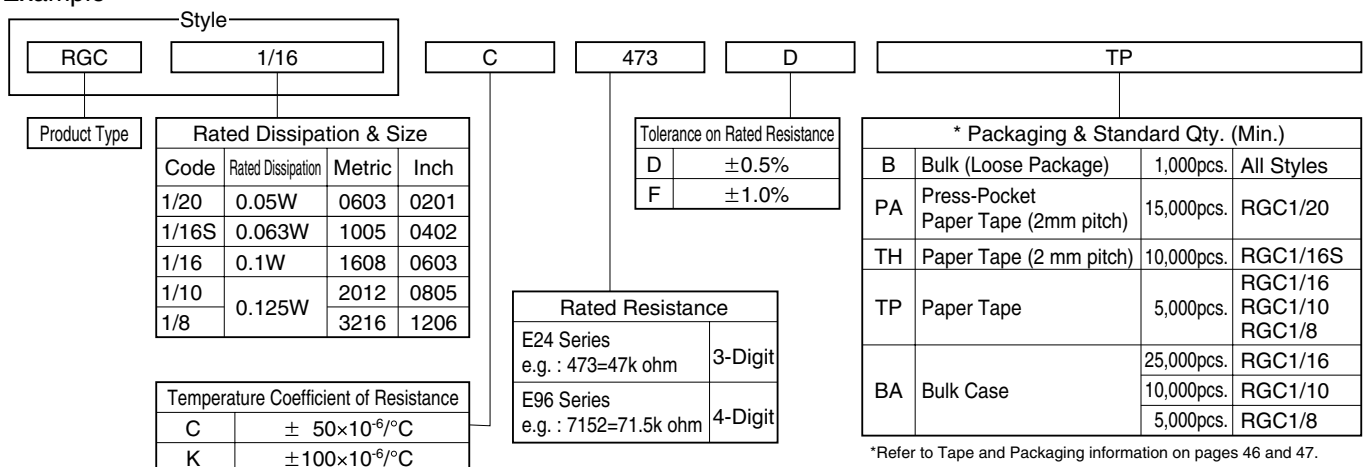
Style	Metric	Inch	L	W	H	c	d	*Unit weight/pc.
RGC1/20	0603	0201	0.6±0.03	0.3 ±0.03	0.23±0.03	0.1 ±0.05	0.15±0.05	0.16mg
RGC1/16S	1005	0402	1.0±0.05	0.5 ±0.05	0.35±0.05	0.2 ±0.1	0.25 ^{+0.05} _{-0.1}	0.6mg
RGC1/16	1608	0603	1.6±0.1	0.8 ^{+0.15} _{-0.05}	0.45±0.10	0.25±0.10	0.3 ±0.1	2mg
RGC1/10	2012	0805	2.0±0.1	1.25±0.10	0.6 ±0.1	0.4 ±0.2	0.4 ±0.2	5mg
RGC1/8	3216	1206	3.2±0.15	1.6 ±0.15	0.6 ±0.1	0.5 ±0.25	0.5 ±0.25	9mg

Unit : mm

*Values for reference

•Part Number Description

Example



*Refer to Tape and Packaging information on pages 46 and 47.
 *Please contact Kamaya sales department for 1mm pitch taping of RGC1/16s, 1/20.

●Ratings

Style	Size Metric (Inch)	Rated Dissipation at 70°C W	Rated Resistance Range				Tolerance on Rated Resistance	Temperature Coefficient of Resistance		Limiting Element Voltage V	Isolation Voltage V	Category Temperature Range °C
			10Ω	100Ω	1kΩ	1MΩ		Code	10 ⁻⁶ /°c			
RGC1/20	0603 (0201)	0.05		51~976			D(±0.5%)	K	±100	25	50	-55~+125
					1k~1M			C	±50			
RGC1/16S	1005 (0402)	0.063		10~97.6			D(±0.5%) F(±1%)	K	±100	50	100	-55~+155
					100~1M			C	±50			
						1.02M~3.3M			K			
RGC1/16	1608 (0603)	0.1 *1(0.063)	3.3~9.76				F(±1%) D(±0.5%) F(±1%)	K	±100	50	100	-55~+125 *1(-55~+155)
				10~97.6				C	±50			
					100~1M			K	±100			
						1.02M~3.3M			C			
RGC1/10	2012 (0805)	0.125 *1(0.1)	3.3~9.76				F(±1%)	C	±50	150	500	
RGC1/8	3216 (1206)	0.25 *1(0.125)	3.3~9.76				D(±0.5%), F(±1%)	C	±50	200		
					10~4.7M		F(±1%)					
							D(±0.5%), F(±1%)					

*1 If Category Temperature Range is "-55~+155", Rated Dissipation is applied to in ().

Note1. E24, E96 are available for "F"(1%) and "D"(0.5%)

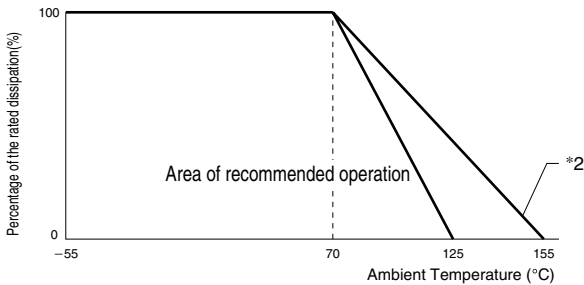
Note2. Rated Voltage = √(Rated Dissipation)×(Rated Resistance). (d.c. or a.c. r.m.s. Voltage)

Note3. Limiting Element Voltage can only be applied to resistors when the resistance value is equal to or higher than the critical resistance value.

Note4. Critical Resistance Value is the resistance value at which the rated voltage is equal to the limiting element voltage.

●Derating Curve

The derated values of dissipation for temperatures in excess of 70°C shall be indicated by the following Curve.



●Climatic Category

55/125/56 *2(55/155/56)

Lower Category Temperature -55°C *2(-55°C)

Upper Category Temperature +125°C *2(+155°C)

Duration of the Damp heat,

Steady-State Test 56 days *2(56 days)

●Performance Characteristics JIS C 5201-1 : 1998

Description	Requirements	Test Methods
Voltage proof	No breakdown or flashover R≥1G ohm	Clause 4.7 RGC1/20 50Va.c.,60s RGC1/16S, 1/16, 1/10, 1/8 100Va.c.,60s
Variation of resistance with temperature	See Ratings Table	Clause 4.8 Measuring temperature : +20°C/+125°C *2(+155°C)/+20°C
Overload	ΔR≤±(1%+0.05 ohm) No visible damage, legible marking	Clause 4.13 The applied voltage shall be 2.5 times of the rated voltage or twice of the limiting element voltage, whichever is the less severe, 2s.
Solderability	In accordance with Clause 4.17.4.5	Clause 4.17 235°C, 2s
Resistance to soldering heat	ΔR≤±(1%+0.05 ohm)	Clause 4.18 After immersion into the flux, the immersion into solder shall be carried out in Solder bath at 260°C for 5s.
Rapid change of temperature	ΔR≤±(1%+0.05 ohm) No visible damage	Clause 4.19 5 cycles between -55°C and +125°C *2(+155°C).
Climatic sequence	ΔR≤±(5%+0.1 ohm) No visible damage	Clause 4.23 Dry/Damp heat (12+12h cycle), first cycle./ Cold/Damp heat (12+12h cycle), remaining cycle. /D.C.Load.
Damp test, steady state	ΔR≤±(5%+0.1 ohm) No visible damage, legible marking	Clause 4.24 40°C, 95%R.H., 56 days, test a) and b) of Clause 4.24.2.1
Endurance at 70°C	ΔR≤±(5%+0.1 ohm) No visible damage	Clause 4.25.1 Rated voltage, 1.5h"ON", 0.5h"OFF", 70°C, 1,000h.
Endurance at the upper category temperature	ΔR≤±(5%+0.1 ohm) No visible damage	Clause 4.25.3 125°C *2(155°C), no-load, 1,000h.
Adhesion	No visible damage	Clause 4.32 5N, 10s (RGC1/20 : 3N)
Bend strength of the face plating	ΔR≤±(1%+0.05 ohm)	Clause 4.33 Amount of bend : 3 mm

*2 () on Derating Curve, Climatic Category, and Test Methods will be applied, when Upper Category Temperature is +155°C.