

THIS DRAWING COVERS A PROPRIETARY ITEM AND IS THE PROPERTY OF MICRO SWITCH, A DIVISION OF HONEYWELL. THIS DRAWING IS NOT TO BE COPIED OR USED WITHOUT THE APPROVAL OF MICRO SWITCH.

CATALOG LISTING
PH-121
PAGE 1 OF 1
RELEASE NO. PR-24119

ISSUE
1

REVISIONS

CHECK

CHECK

1 SEP 99

J A F

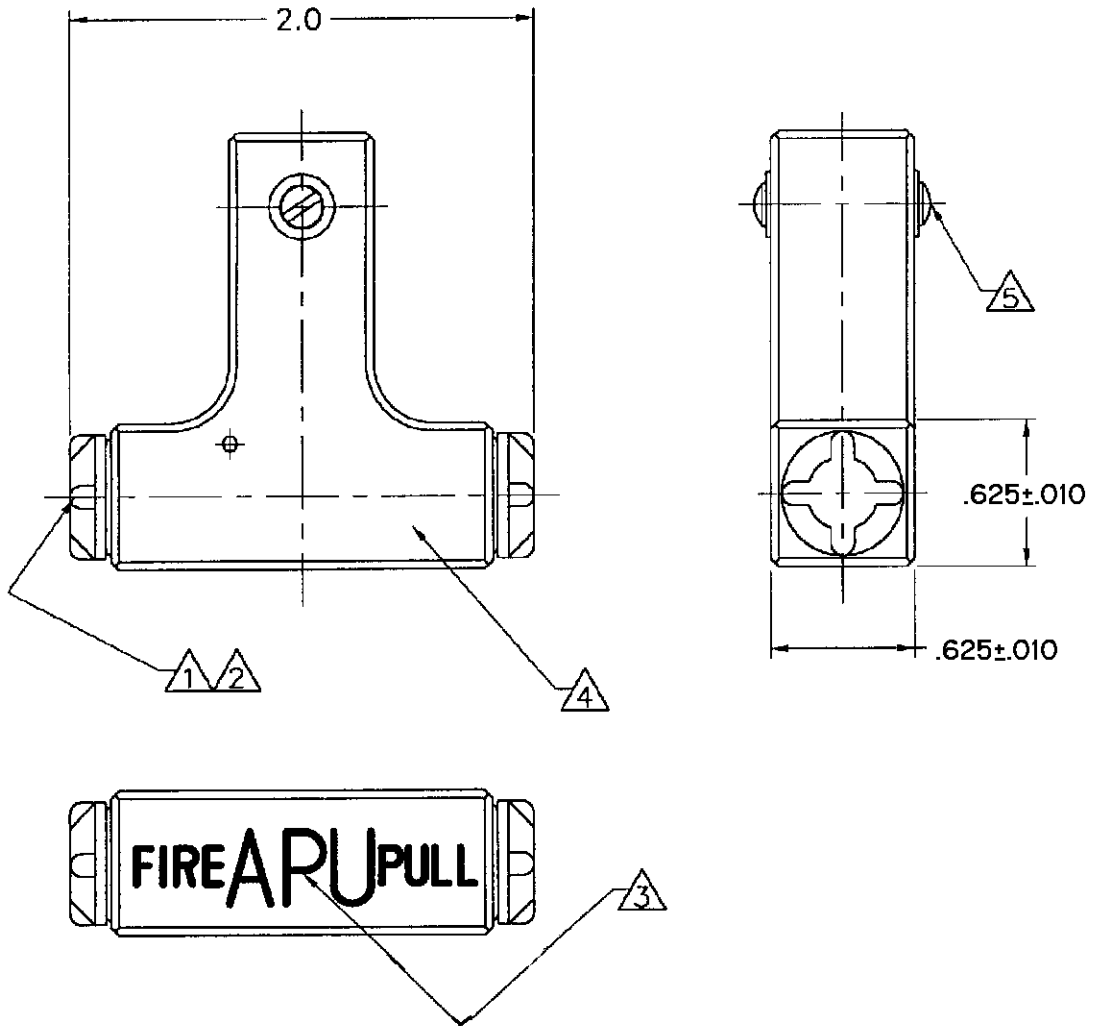
CHECK

1 SEP 99

FORMTEK
DRAWN

C S L

REPLACES



NOTES

- 1 2X LAMPS: MS25237-327 (28 VOLTS)
- 2 2X FILERS: RED MS25010-13A
- 3 HANDLE LETTERING: ENGRAVED, GOTHIC, SIZE AS SHOWN
- 4 TEE HANDLE: CLEAR PLASTIC WITH MATTE FINISH OUTER SURFACES, CONTAINS LAMPS 1 WITH FILTER 2
- 5 REMOVE FOR INSTALLATION, AND TORQUE TO 4-6 IN-LBS AFTER INSTALLATION

THIRD ANGLE PROJECTION		
SCALE	FULL	DO NOT SCALE PRINT
UNLESS OTHERWISE SPECIFIED TOLERANCES ARE		
ONE PLACE	(.0)	± .030
TWO PLACE	(.00)	± .015
THREE PLACE	(.000)	± .005
ANGLES		± 4°
WEIGHT		