

PCI 6254

Connectivity

- 64-bit, 33MHz-66MHz Asynchronous operation
- 5V signal input tolerance and 5V signal to 3.3V signal conversions
- 31mm x 31mm PBGA
- 1KB FIFO size
- PCI Bus Types
- Transparent and Non-Transparent Bridge Function
- Support for 9 Bus Masters
- Usable in CPCI System Slot or Peripheral Slot

Performance

- **Flow-Thru™** architecture for higher PCI-to-PCI bridging
- Hot Swap function with support to eliminate mid-transaction extraction problem associated with CPCI.
- Large 1K Byte buffer for efficient PCI-to-PCI bridging and speed conversion
- 9 pairs of REQ/GNT signals support up to 8 bus masters directly on secondary bus
- EEPROM support for extra register control
- Vital Product Data (VPD)
- 16 general purpose IO interface
- PME D3 wakeup power



PLX Technology, Inc.
870 Maude Ave.
Sunnyvale, CA 94085 USA
Tel: 1-800-759-3735
Tel: 1-408-774-9060
Fax: 1-408-774-2169

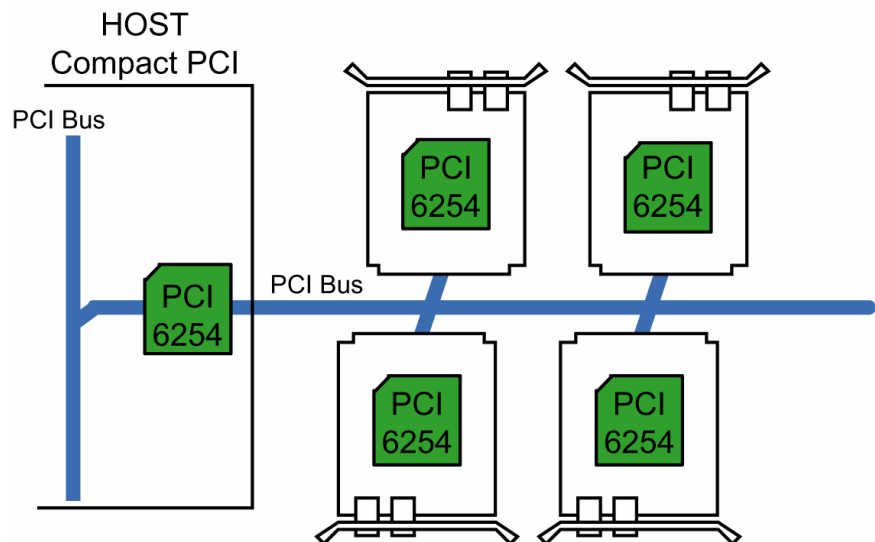
Email: info@plxtech.com
Web Site: www.plxtech.com

Dual-Mode (Transparent & Non-Transparent) Universal FastLane™ PCI-to-PCI Bridge

Adaptive High Performance Asynchronous 66MHz, 64-bit, PCI-to-PCI Bridge for Servers, Storage, DSP, Telecommunication, Networking and Embedded Applications

PLX's FastLane™ PCI 6254 is a 64-Bit PCI-to-PCI bridge designed for high performance, high availability applications in bus expansions, programmable data transfer rate control, frequency conversions from slower PCI to faster PCI buses or from faster PCI to slower PCI buses, address remapping, high availability hot swap, and universal system-to-system bridging.

The FastLane PCI 6254 includes sophisticated buffer management and buffer configuration options designed to provide customizable performance.



Product Ordering Information

Part Number	Description
PCI 6254-xx66BC	PCI 6254 PCI-to-PCI Bridge Chip (PBGA)

Please visit the PLX Web site at <http://www.plxtech.com> or contact PLX sales at 408-774-9060 for more information.