

Model

Switch Mode Power Supply

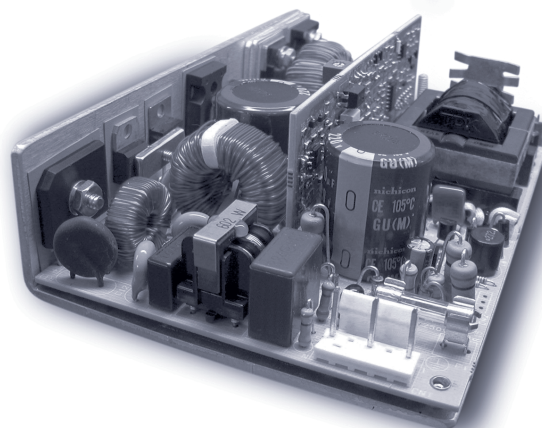
PAS150

150 Watts_{max} output power

Power Factor Correction

Single Output

H.A.L.T. Highly Accelerated Life Testing
TESTED



Electrical Specifications

Input Voltage:	85-132/180-264 VAC, 47-63 Hz, 1 phase
Input Current:	<3.2A RMS @ 115 VAC @ full load <1.6A RMS @ 230 VAC @ full load
Inrush Current:	<25A, pk @ 132 VAC @ cold start <50A, pk @ 265 VAC @ cold start
Harmonic Distortion:	Meets EN61000-3-2 for Class A
EMI Filtering:	Meets CISPR 11 and 22 and FCC Part 15 Class B (conducted)
Input Protection:	Internal AC line fuse; 250 VAC, 6.3A
Surge Withstand:	Meets EN61000-4-5 Level 3
Output Power:	150W with 15CFM air; 80W Convection
Line Regulation:	± 0.3%
Load Regulation:	± 0.5%
PARD:	<1% or 50mV; 20MHz bandwidth
Hold-up Time:	20 ms @ full load (120 VAC)
Output Polarity:	Output is floating
Minimum Load:	0% of rated load
Transient Response:	3% for 25% load change @ 1A/μs; 50% duty cycle 50/60 Hz
Output Rise Time:	<100 ms (10% to 90%)
Current Limit:	105-130% of rated current; Hiccup
Remote Sense:	Compensates for up to 250mV of total cable drop
Remote On/Off:	Optional

Thermal Shutdown	Standard
DC OK:	Standard; Open Collector
Turn-on Delay:	<1 second after application of AC Input
Stability:	<0.1% for 8 hours after 1/2-hour warm up
Isolation:	>20 MΩ @ 100 VDC between output terminals and chassis ground
AC Power Fail:	TTL _{LOW} logic "0" at least 2 ms before output drops 5%; Open Collector
Oversvoltage Protect:	Factory set, 125% ±5%, cycle AC to reset
Reverse Voltage:	Output has reverse voltage protection; Reverse current limited to 100% of output rating
Efficiency:	Up to 85%
MTBF:	MIL-STD-HDBK 217E >200,000 hours @ 25°C Highly Accelerated Life Testing

Available Voltage Outputs*

Voltage Codes	Voltages (Volts)	Continuous Current (Amps)
-2	3.3	30
-3	5.0	30
-4	12.0	12.5
-5	15.0	10.5
-6	24.0	6.5
-7	28.0	5.5
-8	36.0	4.5
-9	48.0	3.5

* Consult factory for other voltages and OEM quantities.

Note: Standard models are shown **bold**

PART # STRUCTURE:

MODEL - **VOLTAGE CODE** - **OPTION CODES** (See sheet 2)
PAS150 - **X** - **ABC...**

Example: Part Number **PAS150-4-CF**= 150W Power Factor Corrected, 12V @ 12.5A with a fan assembly and power fail invert.

[CLICK HERE TO SEE THE PAS150 CODE TABLE AND AVAILABLE OPTIONS.](#)

Model PAS150



Options

- 12V@0.5A Aux./Fan Drive (A)
- Fan Assembly (C)
- PF Invert (F)
- Single Wire Current Share $\pm 5\%$ (I)
- Molex Connector (K)
- OR-ing Diode (O)
- Remote On/Off Invert (S)
- Droop Current Share $\pm 10\%$ (B)
- DC OK Invert (E)
- Field-Configurable (G)
- Square Current Limit (J)
- Metric Mounting (M)
- Remote On/Off (R)

Certifications

- NRTL*** Recognition to UL60950-1
- CSA C22.2 No. 60950-1-03
- BAUART Certification to EN60950-1
- CB Test Report in Accordance with IEC60950-1
- CE Declaration to Low Voltage Directive 72/23 EEC

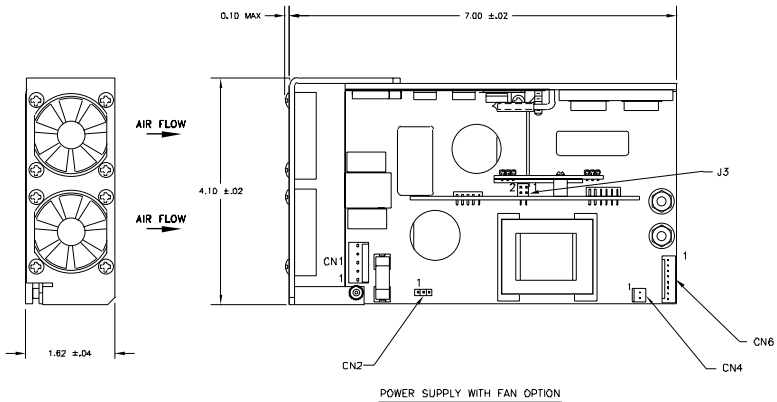
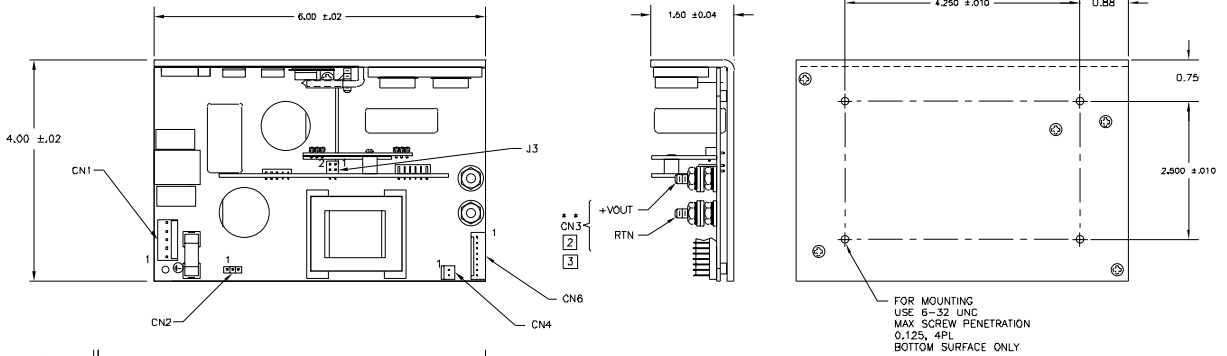
*** Nationally Recognized Test Laboratory

Compliance

- EN61000-4-5 Level 3
- EN61000-3-2 for Class A
- EN61000-4-4 Level 3
- CISPR 11 and 22 FCC Part 15 Class B (conducted)
- EN61000-4-2 Level 2
- EN61000-4-2 Level 3 (Air Only)
- EN61000-4-11

Physical Specifications

- Dimensions: (HxWxL) 1.5" x 4.0" x 6"
- Operating Temp: 0 to 70°C; rated power to 50°C derate linearly to 50% at 70°C.
- Relative Humidity: 5% to 90%, non-condensing
- Storage: -50 to 85°C/20-90% RH
- Altitude: 10,000' operating; 40,000' storage



PIN NO.	CN1
1	GROUND
2	"PIN REMOVED"
3	NEUTRAL
4	"PIN REMOVED"
5	LINE

MOLEX CONNECTOR 26-60-4050 MATES WITH 2139

PIN NO.	CN3
1	+VOUT
2	RTN

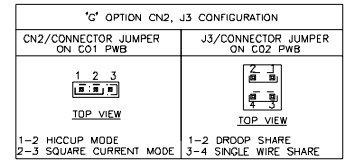
#8 SCREW OR MOLEX CONNECTOR 26-62-4030 CENTER PIN REMOVED MATES WITH 2139

PIN NO.	CN4
1	AUX OUT
2	AUX RTN

MOLEX CONNECTOR 22-23-2091 MATES WITH 2695

PIN NO.	CN6
1	CURRENT SHARE
2	POWER FAIL
3	REMOTE ON/OFF
4	REM ON/OFF RTN
5	DC OK
6	RTN
7	-REMOTE SENSE
8	+REMOTE SENSE

MOLEX CONNECTOR 22-23-2081 MATES WITH 2695



UNIT WEIGHT	
1.5 LBS (WITHOUT FAN OPTION)	
1.6 LBS (WITH INSTALLED FAN OPTION)	

- 3 OPTIONAL- MOLEX CONNECTOR (OPTION 'K'-LIMITED TO 7A) MAY BE SPECIFIED FOR CN3 INSTEAD OF STANDARD OUTPUT STUDS.
- 2 DO NOT EXCEED 17 INCH-LBS (MAX TORQUE) WHEN TIGHTENING TOP NUTS ON OUTPUT STUDS.
- 1. FOR CLARITY NOT ALL ITEMS ARE SHOWN IN EACH VIEW. NOTES: UNLESS OTHERWISE SPECIFIED

- * WARNING: DAMAGE WILL OCCUR IF REMOTE SENSE LEADS (CN6-7 & CN6-8) ARE REVERSED OR USED WITH LOAD DISCONNECTED FROM OUTPUT (CN3).
- ** NOTE: FOR PROPER REGULATION OF AUX OUTPUT, APPLY AT LEAST 10% OF RATED LOAD TO VOUT.

© Copyright 2006 TAMURA CORPORATION OF AMERICA. Specifications subject to change without notice.

