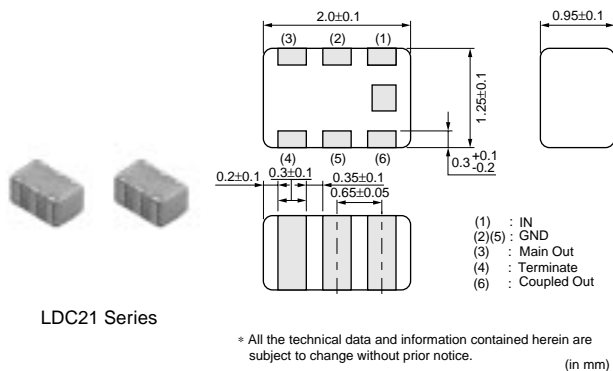
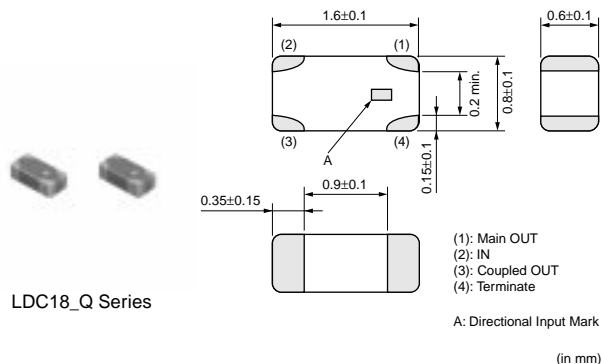
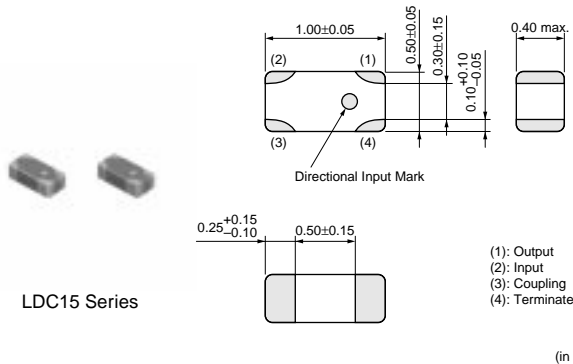



チップ多層ハイブリッドカップラ

カップラ



品番	周波数範囲 (MHz)	結合度 (dB)	挿入損失 (dB)	アイソレーション (min.) (dB)	VSWR (max.)	特性インピーダンス (公称値) (Ω)	許容電力 (W)	用途
LDC15450M25Q-360	450 ± 50MHz	25.1 ± 1.8dB	0.15 max. (at 25)	38.0	1.5	-	3 max. (50 Load)	CDMA450
LDC15707M21Q-360	707 ± 9MHz	21.1 ± 1.0dB	0.23 max. (at 25)	35.0	1.4	-	3 max. (50 Load)	UMTS(Band12)
LDC15836M30Q-392	836.5 ± 12.5MHz	30.6 ± 1.0dB	0.20 max. (at 25)	38.0	1.4	-	3 max. (50 Load)	UMTS(Band5)
LDC15874M27Q-359	874 ± 51MHz	27.2 ± 1.0dB	0.20 max. (at 25)	42.0	1.4	50	3 max. (50 Load)	UMTS(Band5/8)
LDC15897M26SB008	897.5 ± 17.5MHz	26.4 ± 1.0dB	0.15 max. (at 25)	-	1.4	50	3 max. (50ohm Load)	UMTS(Band8)
LDC15906M19SB001	906.0 ± 19.0MHz	19.3 ± 1.0dB	0.22 max. (at 25)	-	1.4	50	3 max. (50ohm Load)	CDMA
LDC151G4418Q-352	1441 ± 12MHz	18.9 ± 1.0dB	0.23 max. (at 25)	32.0	1.4	50	3 max. (50 Load)	WCDMA
LDC151G7313Q-360	1732.5 ± 22.5MHz	13.6 ± 1.0dB	0.42 max. (at 25)	24.0	1.4	50	3 max. (50 Load)	UMTS(Band4)
LDC151G7424Q-392	1747 ± 37.5MHz	24.1 ± 1.0dB	0.20 max. (at 25)	30.0	1.4	50	3 max. (50 Load)	UMTS(Band4)
LDC151G7421Q-359	1747.5 ± 37.5MHz	21.2 ± 1.0dB	0.22 max. (at 25)	35.0	1.4	50	3 max. (50 Load)	UMTS(Band3)
LDC151G8117Q-352	1810 ± 100MHz	17.0 ± 1.2dB	0.25 max. (at 25)	32.0	1.4	50	3 max. (50 Load)	GSM
LDC151G8620Q-359	1865 ± 115MHz	20.5 ± 1.0dB	0.22 max. (at 25)	34.0	1.4	50	3 max. (50 Load)	UMTS(Band2)
LDC151G8824Q-393	1880 ± 30MHz	24.7 ± 1.0dB	0.20 max. (at 25)	32.0	1.4	50	3 max. (50 Load)	UMTS(Band2)

次ページに続く

 前ページより続く

品番	周波数範囲 (MHz)	結合度 (dB)	挿入損失 (dB)	アイソレーション (min.) (dB)	VSWR (max.)	特性 インピーダンス (公称値) (Ω)	許容電力 (W)	用途
LDC151G9120Q-359	1915 ± 65MHz	20.4 ± 1.0dB	0.22 max. (at 25 °C)	34.0	1.4	50	3 max. (50 Load)	UMTS(Band1)
LDC151G9523Q-392	1950 ± 30MHz	23.2 ± 1.0dB	0.20 max. (at 25 °C)	30.0	1.4	50	3 max. (50 Load)	UMTS(Band1)
LDC152G1419Q-359	2140 ± 30MHz	19.4 ± 1.0dB	0.26 max. (at 25 °C)	33.0	1.5	50	3 max. (50 Load)	UMTS(Band1)
LDC152G3518Q-359	2350 ± 50MHz	18.7 ± 1.0dB	0.28 max. (at 25 °C)	31.0	1.4	50	3 max. (50 Load)	WLAN
LDC152G4518Q-359	2450 ± 50MHz	18.4 ± 1.0dB	0.29 max. (at 25 °C)	31.0	1.4	50	3 max. (50 Load)	WLAN
LDC152G5318Q-359	2535 ± 35MHz	18.1 ± 1.0dB	0.30 max. (at 25 °C)	31.0	1.4	50	3 max. (50 Load)	UMTS(Band7)
LDC18836M32Q-370	836.5 ± 12.5MHz	32.2 ± 1.2dB	0.17 max. (at 25 °C)	44.0	1.5	50	3 max. (50 Load)	UMTS(Band5)
LDC18897M20Q-361	897.5 ± 17.5MHz	20.5 ± 1.0dB	0.22 max. (at 25 °C)	33.0	1.5	50	3 max. (50 Load)	UMTS(Band8)
LDC181G7426Q-370	1747.5 ± 37.5MHz	26.0 ± 1.2dB	0.17 max. (at 25 °C)	49.0	1.5	50	3 max. (50 Load)	UMTS(Band4)
LDC181G8825Q-370	1880.0 ± 30.0MHz	25.3 ± 1.2dB	0.22 max. (at 25 °C)	45.5	1.5	50	3 max. (50 Load)	UMTS(Band2)
LDC181G9525Q-370	1950.0 ± 30.0MHz	25.0 ± 1.2dB	0.22 max. (at 25 °C)	44.0	1.5	50	3 max. (50 Load)	UMTS(Band1)
LDC21836M20B-027	836.5 ± 12.5MHz	20.6 ± 1.0dB	0.15 max. (at 25 °C)	28.0	1.4	50	3 max. (50 Load)	CDMA
LDC211G8820B-042	1880.0 ± 30.0MHz	20.0 ± 1.0dB	0.23 max. (at 25 °C)	26.0	1.4	50	3 max. (50 Load)	CDMA
LDC211G9517B-031	1950.0 ± 30.0MHz	17.3 ± 1.0dB	0.27 max. (at 25 °C)	21.0	1.4	50	3 max. (50 Load)	UMTS(Band1)

使用温度範囲：-40 ~ +85