

## 2-Port Ethernet Switch with Non-PCI Interface

### Description

The KSZ8842-16MQL and KSZ8842-32MQL are the industry's first 2-port switches with a non-PCI CPU interface. The KSZ8842-16MQL (or -32MQL) is a proven, 4th generation, integrated, Layer 2 switch that is compliant to the IEEE802.3u standard.

The KSZ8842-16MQL (or -32MQL) can be configured as a low-latency repeater to allow for 'cut thru' in latency critical Embedded or Industrial Ethernet applications. For industrial automation applications in the repeater mode, the KSZ8842-16MQL (or -32MQL) runs in half-duplex mode regardless of the application.

The KSZ8842-16MQL (or -32MQL) offers an extensive feature set that includes tag/port-based VLAN, QoS priority management, MAC filtering function, MIB counters, and CPU control/data interfaces to effectively address both current and emerging Fast Ethernet applications.

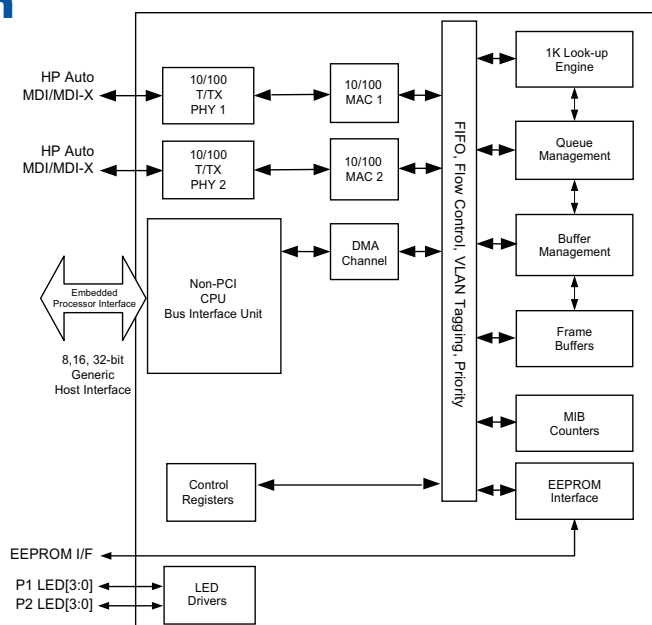
The KSZ8842-16MQL (or -32MQL) contains two 10/100 transceivers with patented mixed-signal low-power technology, two media access control (MAC) units, a direct memory access (DMA) channel, a high-speed non-blocking switch fabric, a dedicated 1K entry forwarding table, and on-chip frame buffer memory.

### Benefits

Offers all of the features of an integrated Layer 2 managed switch plus:

- Fully compliant to the IEEE802.3u standard
- Repeater mode capabilities to allow for 'cut-thru' in latency critical Industrial Ethernet or Embedded Ethernet applications
- MAC filtering function to filter unicast packets
- Dynamic buffer memory scheme
  - Essential for applications such as Video over IP where image jitter is unacceptable
- 2-Port switch with flexible 8-, 16- or 32-bit generic host processor interfaces
- Micrel LinkMD<sup>®</sup> cable diagnostic capabilities to determine cable length, diagnose faulty cables, and determine distance to fault
- HP Auto MDIX crossover with disable and enable option
- Industrial temperature support: -40°C to +85°C (KSZ8842-16MVLI samples available)
- Four priority queues to handle voice, video, data, and control packets

### Block Diagram



Note: For an MII/RMII, I<sup>2</sup>C or SPI interface, use the KSZ8893MQL.  
LinkMD is a registered trademark of Micrel, Inc.

## Features

### Switch Management

- Non-blocking switch fabric assures fast packet delivery by utilizing a 1K entry forwarding table
- Fully compliant to the IEEE 802.3u standard
- Full-duplex IEEE 802.3x flow control (Pause) with force mode option
- Half-duplex back pressure flow control

### Advanced Switch Management

- IEEE 802.1q VLAN support for up to 16 groups (full-range of VLAN ID)
- VLAN ID tag/untag options, per port basis
- IEEE 802.1p/q tag insertion or removal on a per port basis (egress)
- Programmable rate limiting at the ingress and egress port
- Broadcast storm protection
- IEEE 802.1d spanning tree protocol support
- MAC filtering function to filter or forward unknown unicast packets
- Unknown MAC address forwarding function
- Direct forwarding mode enabling the processor to identify the ingress port and to specify the egress port
- IGMP v1/v2 snooping support for multicast packet filtering
- IPv6 Multicast Listener Discovery (MLD) snooping support

### Monitoring

- Port mirroring/monitoring/sniffing: ingress and/or egress traffic to any port
- Management information base (MIB) counters for fully compliant statistics gathering: 34 MIB counters per port
- Loopback modes for remote diagnostic of failure

### Comprehensive Register Access

- Control registers configurable on the fly (port-priority, 802.1p/d/q)

### QoS/CoS Packets Prioritization Support

- Per port, 802.1p and DiffServ based
- Re-mapping of 802.1p priority field per port basis

### Power Modes, Packaging and Power Supplies

- Full-chip hardware power-down (register configuration not saved) provides for low power dissipation
- Per port-based software power-save on PHY (idle link detection, register configuration preserved)
- Single power supply: 3.3V
- Commercial temperature range: 0°C to +70°C
- Industrial temperature range: -40°C to +85°C (KSZ8842-16MVL1 ordering code)
- RoHS compliant devices

## Applications

- Industrial applications for daisy chaining multiple devices
- Industrial control in latency critical applications
- Port redundancy and port monitoring
- Security cameras
- VoIP phone and ATA adaptors

## Markets

- Fast Ethernet
- Embedded Ethernet
- Industrial Ethernet

For additional information, contact your local Micrel Field Application Engineer or salesperson.

## Contact Micrel Semiconductor

Location	Address		Telephone	Fax
Corporate HQ	2180 Fortune Drive	San Jose, CA 95131 USA	+1 408 944 0800	+1 408 944 0970
Western USA	2180 Fortune Drive	San Jose, CA 95131 USA	+1 408 944 0800	+1 408 944 0970
Central USA	2425 N. Central Express Way, Suite 351	Richardson, TX 75080 USA	+1 972 393 2533	+1 408 474 1210
Eastern USA	93 Branch Street	Medford, NJ 08055 USA	+1 609 654 0078	+1 609 654 0989
Latin America	2425 N. Central Express Way, Suite 351	Richardson, TX 75080 USA	+1 972 393 2533	+1 408 474 1210
China	Rm 601, Bldg B, Int'l Chamber of Commerce Mansion, Fuhua Rd 1 Futian Dist	Shenzhen, P.R. China 518048	+86 755 8302 7618	+86 755 8302 7637
Japan	Queens Tower 14F, 2-3-1, Minatomirai, Nishi-ku, Yokohama-shi	Kanagawa 220-8543, Japan	+81 45 224 6616	+81 45 224 6716
Korea	8F, AnnJay Tower Bldg, 718-2, Yeoksam-dong, Kangnam-ku	Seoul 135-080, Korea	+82 2 538 2380	+82 2 538 2381
New Zealand	Office 2, CML Bldg, 2 Perry Street	Masterton, New Zealand	+64 6 378 9799	+64 6 378 9599
Singapore/India	300 Beach Road, #10-07 The Concourse	Singapore 199555	+65 6291 1318	+65 6291 1332
Taiwan	4F, No. 18 Lane 321, Yang-Guang Street, Nei-Hu Chu	Taipei 11475 Taiwan, R.O.C	+866 2 8751 0600	+866 2 8751 0746
UK/EMEA	1st Floor, 3 Lockside Place, Mill Lane, Newbury, Berks	United Kingdom RG14 5QS	+44 1635 524455	+44 1635 524466
France/Southern Europe	10 Avenue du Quebec, Villebon - B.P. 116, 91944 Courtaboeuf Cedex	France	+33 1 60 92 4190	+33 1 60 92 4189
Sweden/Nordic	Lundagatan 11 6tr, SE-171 63 Solna	Sweden	+46 8 470 5950	+46 8 470 5950