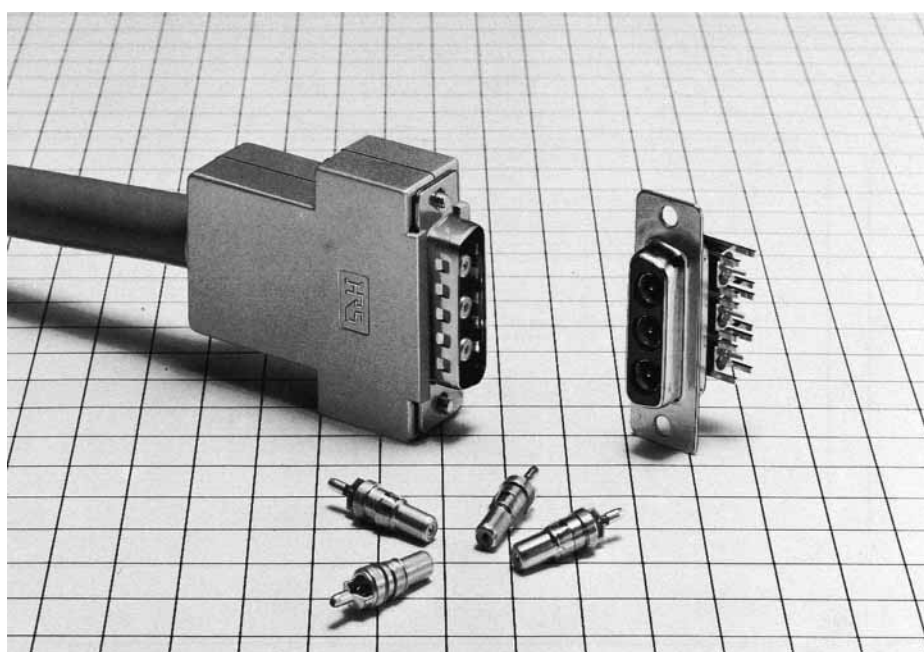


JDM TYPE COAXIAL TERMINAL CONNECTORS

General

The JDM Series are unitized connectors with a shell that is the same size as those of the SM Series. These connectors have a coaxial terminal mounting hole. The coaxial terminal is compatible with a wide range of

requirements, being available in soldering and PCB dip soldering models. The terminal is EMI-resistant and uses a special case.



Features

- (1) Compact and sturdy due to metal shell.
- (2) Uses insulation made from highly heat-resistant and chemical-resistant epoxy and PPS resins.
- (3) Available in various types of soldering, such as

- soldering, straight dip soldering, and right angle dip soldering. The coaxial terminals are compatible with all types of housing.
- (4) EMI-resistant model in a special case available.

Application

Computers, peripherals and terminals, control equipment, radio equipment and measuring instruments.

Connector Housing

Main Specifications

Description	Materials	Materials	Item	Standard
Shell	Steel	Nickel plating	Contact resistance	4mΩ max.
Insulator	Epoxy PPS		Current Rating	5A
Male contact	Brass	Gold-plated	Insulation resistance	5,000 M Ω min. at 500V DC
Female contact	Phosphor bronze	Gold-plated	Withstanding voltage	1250V AC for one minute

Ordering Information

J D * M - 7 W 2 P F (05)
 Model (Note:1) (Note:2) (Note:3) (Note:4) (Note:5)

- Note 1: Shell size.....A, B, C, D, E
 2: Terminal arrangement.....The first numeral stands for the number of total contacts, and the last numeral for the number of coaxial terminal mounting holes.
 3: Shape of terminal.....P: Male, S: Female
 4: Shape of shell.....F-dimpled housing
 5: (05) Nickel-plated shell
 (55) Nickel-plated shell

Pin Connector

JDAM-7W2P (55)

HRS No	No. of pin	Part No.	L1	L3	P	W1	H (abt.)	RoHS
* CL211-0014-5-55	5	JDEM-5W1P (55)	16.90	30.8	24.99	8.34	1.2	YES
* CL211-0016-0-55	7	JDAM-7W2P (55)	25.24	38.9	33.32	8.34	1.2	
CL211-0027-7-55	25	JDCM-25W3P (55)	55.47	69.3	63.50	8.40	1.6	
CL211-0117-8-55	27	JDCM-27W2P (55)	55.47	69.3	63.50	8.40	1.6	
CL211-0727-9-05	3	JDAMA-3W3PF (05)	25.24	38.9	33.32	8.34	1.2	

Unit: mm
 * standard See page 60 for terminal arrangement and mounting hole dimensions.

Socket Connector

JDAM-7W2S (55)

HRS No	No. of pin	Part No.	L2	L3	P	RoHS
* CL211-0015-8-55	5	JDEM-5W1S (55)	16.4	30.8	24.99	YES
* CL211-0017-3-55	7	JDAM-7W2S (55)	24.59	38.9	33.32	
CL211-0028-0-55	25	JDCM-25W3S (55)	54.76	69.3	63.50	
CL211-0787-0-05	3	JDAMB-3W3S (05)	24.59	38.9	33.32	

See page 60 for terminal arrangement and mounting hole dimensions.

HRS No	No. of pin	Part No.	L2	L3	P	Dφ	RoHS
CL211-0048-7-55	5	JDEMF-5W1S (55)	16.26	30.8	24.99	2.18	YES
CL211-0049-0-55	7	JDAMF-7W2S (55)	24.59	39.1	33.32	2.18	
CL211-0052-4-55	25	JDCMF-25W3S (55)	54.76	69.3	63.50	2.0	
CL211-0118-0-05	27	JDCMF-27W2S (55)	54.76	69.3	63.50	2.0	

See page 60 for terminal arrangement and mounting hole dimensions.

Coaxial Contacts

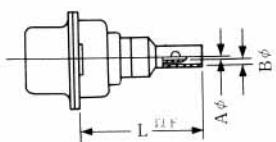
The coaxial terminal for the JDM Series connectors are described below. When ordering, specify the models meeting your application requirements. Mount these coaxial terminals from the connector wiring connection side because they are of snap-in type.

Electrical and Environmental

Component	Material	Finish
P Shell	Brass	Gold-plated
R shell	Phosphor bronze	Gold-plated
Insulator	Tetrafluoride	
Male contact	Brass	Gold-plated
Female contact	Phosphor bronze	Gold-plated

Item	Standard	
Contact resistance	4mΩ max.	
Insulation resistance	500V DC, 5,000 M Ω min.	
Withstanding voltage	Model SS	1,000V DC for 1 min.
	Model RS	800V DC for 1 min.

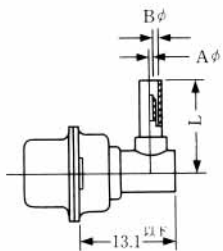
Straight Soldering Type



Unit: mm

HRS No	Part No.	L(max)	øA	øB	øC	Applicable cable	Applicable connector	RoHS
CL211-0033-0-55	JDM-CP-SS (55)	15.9	1.02	2.4	1.5	RG-196/U	JD [] - W [] P (Male connector)	YES
CL211-0071-9-55	JDM-CP-SS2 (55)	20.2	2.6	4.5	2.5	2.5C-2V		
CL211-0126-9-55	JDM-CP-SS4 (55)	15.8	1.7	3.1	1.5	RG- ^{187/U} / _{188/U}		
CL211-0150-3-55	JDM-CP-SS11 (55)	15.8	1.7	3.6	2	1.5C-2V		
CL211-0813-9-55	JDM-CP-SS12 (55)	15.8	1.7	3.8	1.5	1.5D-QEW	JD [] - W [] S (Female connector)	
CL211-0034-2-55	JDM-CR-SS (55)	15.9	1.02	2.4	1.5	RG-196/U		
CL211-0054-0-55	JDM-CR-SS2 (55)	20.2	2.6	4.5	2.5	2.5C-2V		
CL211-0127-1-55	JDM-CR-SS4 (55)	15.9	1.7	3.1	1.5	RG- ^{187/U} / _{188/U}		
CL211-0756-7-55	JDM-CR-SS11 (55)	15.9	1.8	3.5	1.5	1.5C-2V		
CL211-0798-7-55	JDM-CR-SS12 (55)	15.9	1.7	3.8	1.5	1.5D-QEW		

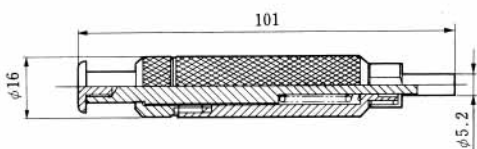
Right Angel Soldering Type



Unit: mm

HRS No	Part No.	L	øA	øB	øC	Applicable cable	Applicable connector	RoHS
CL211-0035-0-55	JDM-CP-RS (55)	12.5	1.02	2.4	1.5	RG-196/U	JD [] - W [] P (Male connector)	YES
CL211-0055-2-55	JDM-CP-RS2 (55)	15.0	2.6	4.5	2.5	2.5C-2V		
CL211-0080-0-55	JDM-CP-RS4 (55)	15.0	1.7	3.1	1.5	RG- ^{187/U} / _{188/U}	JD [] - W [] S (Female connector)	
CL211-0070-6-55	JDM-CR-RS2 (55)	15.0	2.6	4.5	2.5	2.5C-2V		
CL211-0116-5-55	JDM-CR-RS6 (55)	15.0	3.2	5.2	2.5	RG-58/U		

Extraction Tool of Coaxial Contacts

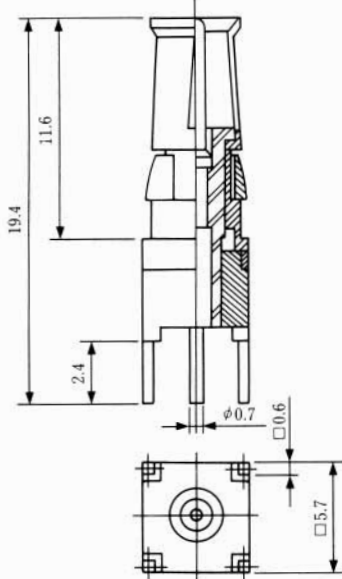


HRS No	Part No.
CL211-0056-5	JDM-T

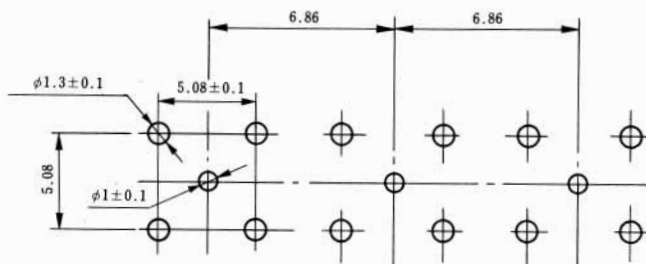
Straight Dip Type

JDAMB-3W3S(05)

JDM-CR-SSD(55)
 CL211-0806-3-55



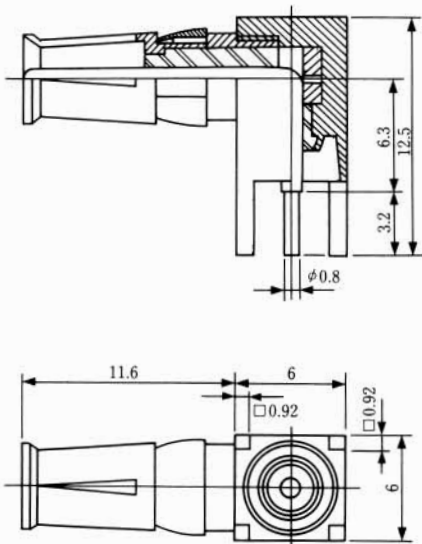
JDM-CR-SSD(55) PCB Mounting Pattern (JDAMB-3W3S(05))



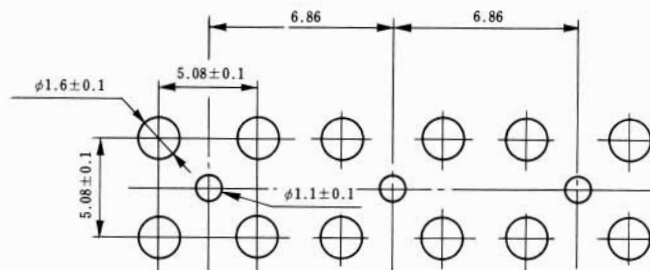
Right-angle Dip Type

JDAMB-3W3S(05)

JDM-CR-RSD(55)
 CL211-0776-4-55



JDM-CR-RSD(55) PCB Mounting Pattern (JDAMB-3W3S(05))



Plug Case

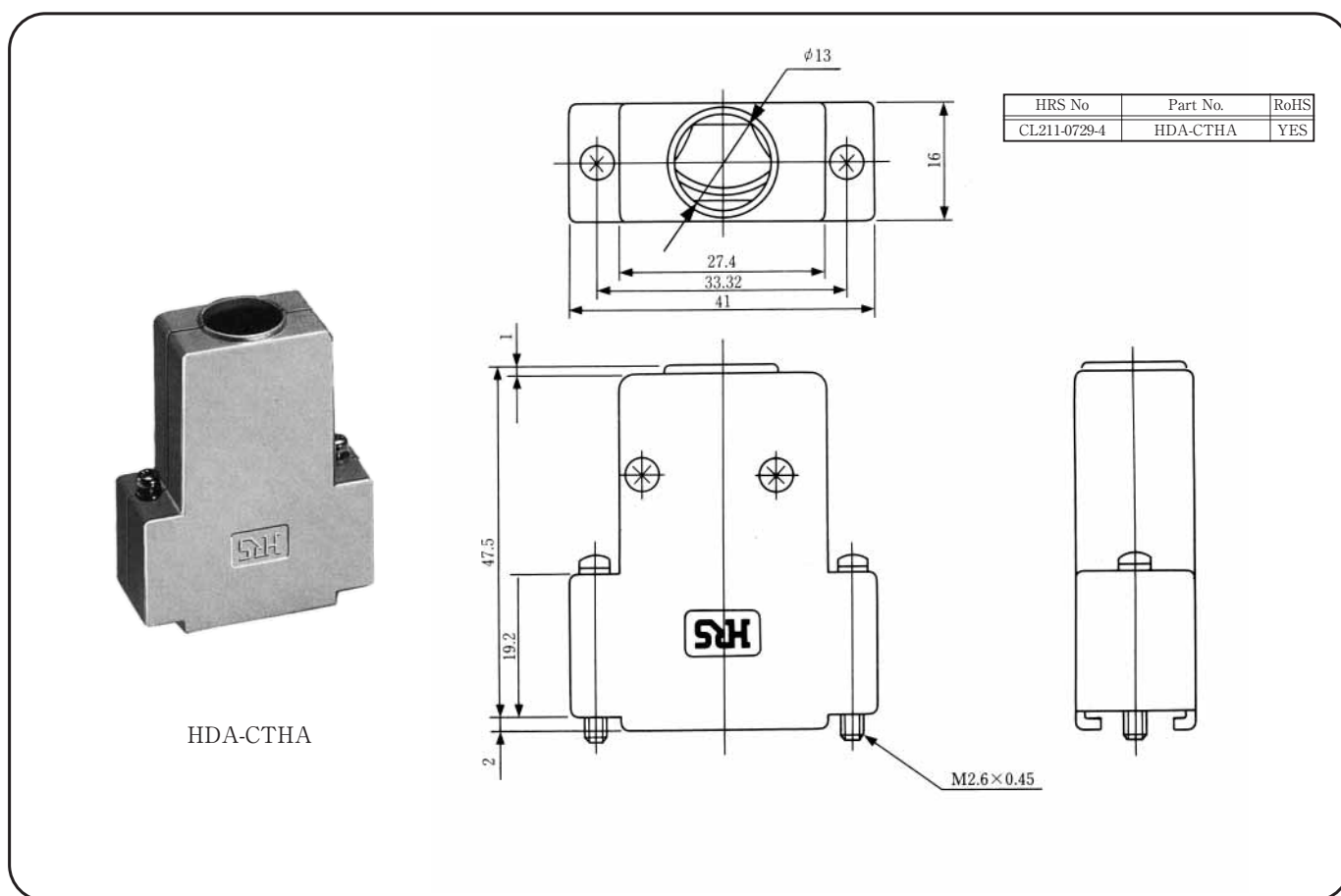
Main Material

Description	Material	Finish
Plug case	Zinc alloy die casting	Painted in silver

Ordering Information

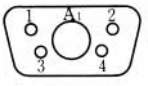
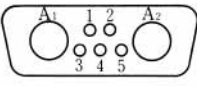
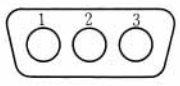
H	D	A	—	C	T	H	A
(1)	(2)	(3)		(3)	(4)	(4)	

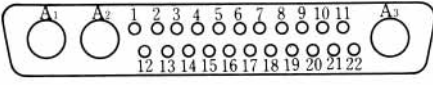
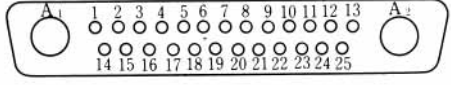
- (1) Sign for connector
- (2) Connector size: A (15 contacts)
- (3) Sign for type of plug case
- CT: Plug case with a vertical cable inlet opening
- (4) Serial sign for type of plug case
- HA: Zinc alloy die casting, painted in silver



JDM Connector Terminal Arrangement

The terminal numbers illustrated below are as viewed from the mating face with the P (male) unit.

contact arrangement			
	5W1	7W2	3W3
shell size	E	A	A
No. of Pin	4	5	3
contact cavity	1	2	3

contact arrangement		
	25W3	27W2
shell size	C	C
No. of Pin	22	25
contact cavity	3	2

*Order coaxial terminals separately from the connectors. For coaxial terminals, see page. 57

SM Series Mounting Hole Dimensions

Unit: mm

Shell Size	a	b
E	24.99	20.2
A	33.32	28.6
B	47.04	42.3
C	63.50	58.7

