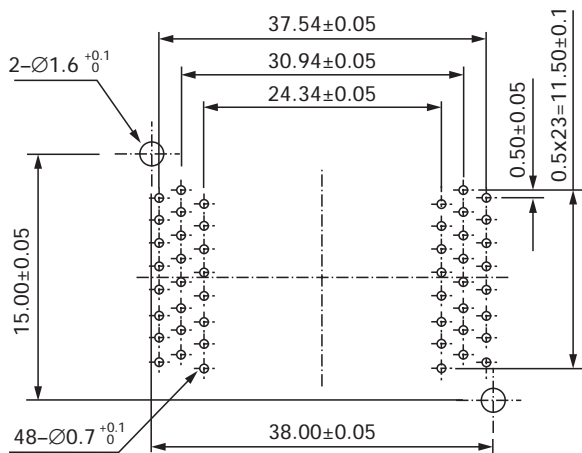


CLICK HERE TO GO BACK TO TABLES

IC189-0482-077 *

48 Pins



STATEMENT OF POLICY:

All technical specifications and data contained herein are believed to be reliable.

However, the accuracy and completeness of such information is **NOT GUARANTEED**

and is subject to change without notice. This page is published to impart application information

and is for reference only. Yamaichi Electronics USA, Inc. and Yamaichi Electronics Deutschland GmbH does not accept responsibility for its use - it must be deemed the responsibility of the user to determine the suitability of the enclosed products for his or her intended use.

Thus, it is the user who assumes all risk and liability.

Yamaichi Electronics USA, Inc. and Yamaichi Electronics Deutschland GmbH, as a manufacturer, accepts only the obligation to replace that quantity of product proved to be defective and is not liable for any injury, loss or damage, direct or consequential, stemming from the use or inability to use the product.

We recommend that for technical assistance, contact your local Yamaichi Electronics Sales Office before initiating board layout, especially regarding any questions on foot patterns or contact points.

Since IC packages and applications vary widely, the dimensions shown in this Web site are for reference only