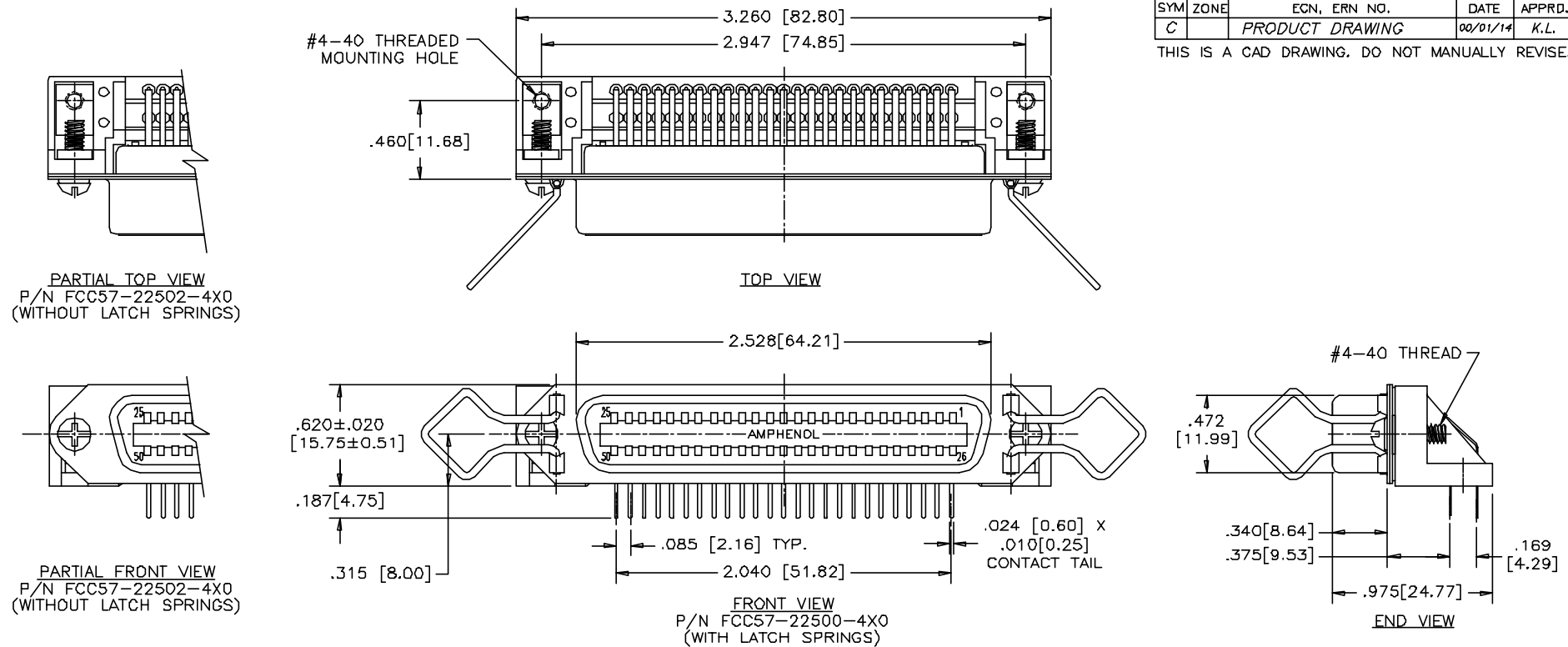


REVISIONS				
SYM	ZONE	ECN, ERN NO.	DATE	APPRD.
C		PRODUCT DRAWING	00/01/14	K.L.

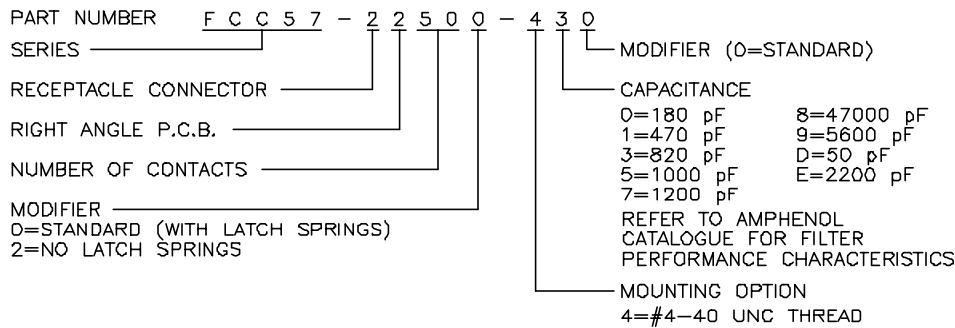
THIS IS A CAD DRAWING. DO NOT MANUALLY REVISE.



ELECTRICAL DATA:

CONTACT RESISTANCE: 15 MILLIOHMS MAX.
 INSULATION RESISTANCE: 3000 MEGOHMS MIN.
 CURRENT RATING: 5 AMPS DC MAX.
 2 AMPS RF FILTERING MAX.

ORDERING CODE:



MECHANICAL DATA:

MATERIALS:

SHELLS: STAMPED STEEL, TIN PLATED.
 INSERTS & BRACKET: HIGH STRENGTH THERMOPLASTIC MATERIAL
 UL FLAMMABILITY RATING 94V-0, BLACK.
 CONTACTS: COPPER ALLOY, 30 μ" [0.76 MICRONS] GOLD PLATED
 OVER NICKEL ON MATING AREA, TIN-LEAD ALLOY TAILS.
 SPRING LATCH: STAINLESS STEEL

MATERIAL -----	DRAWN I.ESSAJEE	DATE 98/01/18	Amphenol Canada Corp.
	DESIGNED		
FINISH -----	CHECKED K.LAMBIE	DATE 98/01/18	TITLE FCC57 FILTERED MICRO-RIBBON CONNECTOR, RIGHT ANGLE RECEPTACLE, 50 SIZE, 4-40 THREAD
	I. E. APPRD. A.GREEN	DATE 98/01/18	
	G. A. APPRD. A.ARENT	DATE 98/01/18	DWG DRAWING NO. P-FCC57-2250X-4X0
	DWG. APPRD.		REV. C
	ENG. REL. NO.		
	REF.		
	DIMENSIONS ARE IN INCHES [mm]	CODE ID. NO. 03554	SCALE N.7.S. WT. _____ SURF. _____ SHEET 1 OF 1

THIS DOCUMENT CONTAINS PROPRIETARY INFORMATION AND SUCH INFORMATION MAY NOT BE DISCLOSED TO OTHERS FOR ANY PURPOSE OR USED FOR MANUFACTURING PURPOSES WITHOUT WRITTEN PERMISSION FROM AMPHENOL CANADA CORP.