

Specifications

Insulation Resistance:	500MΩ min. at 500V DC
Withstanding Voltage:	500V ACrms for 1 minute
Contact Resistance:	35mΩ max. at 10mA / 20mV max. Current
Rating:	0.5A
Voltage Rating:	5.0Vrms
Operating Temp. Range:	-55°C to +85°C
Mating Cycles:	5,000 insertions

Materials and Finish

Housing:	Insulator/Cover - LCP, glass filled (UL94V-0)
	Button - PPS, glass filled (UL94V-0)
Contact Plating:	Gold over Nickel



Part Number (Details)

FMS 006Z - 0000 - BF

Series

No. of Contacts

0 = Without Switch

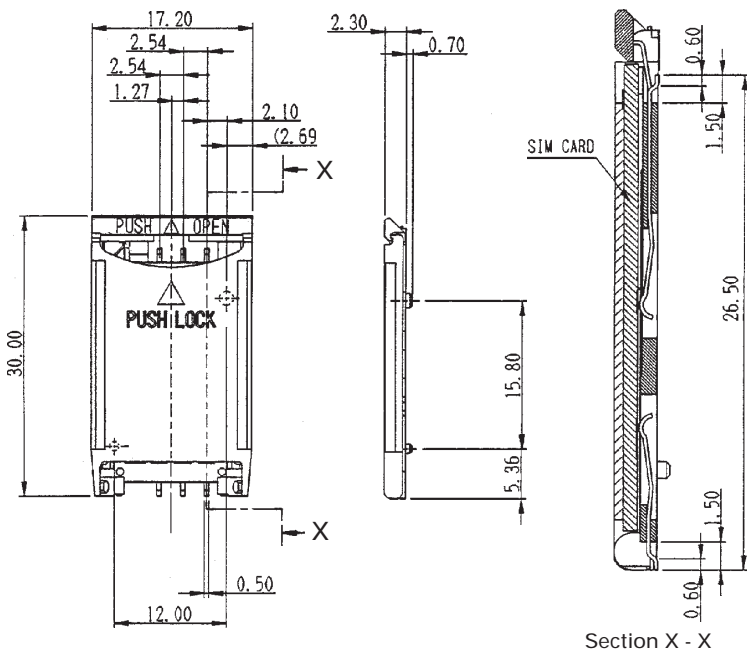
Contact Plating: Gold over Nickel

Features

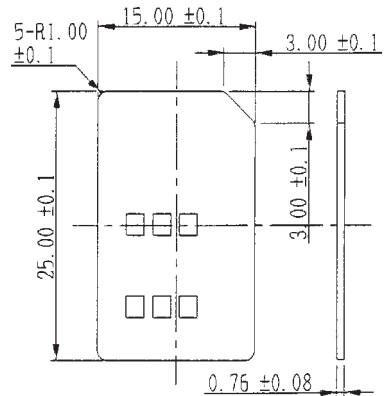
- ⇨ One touch locking lid, which requires only one push for locking or release
- ⇨ Downsizing and low profile (height 2.3mm)
- ⇨ Light weight plastic cover to accommodate the card
- ⇨ Available in tape & reel packaging for automatic pick and place application (1100 pcs./reel)
- ⇨ Conforms to GSM11.11 standard



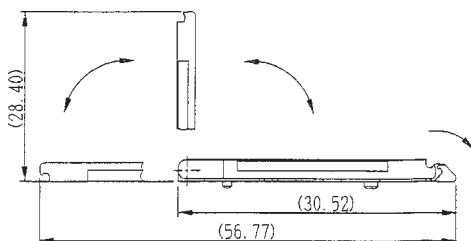
Outline Connector Dimensions



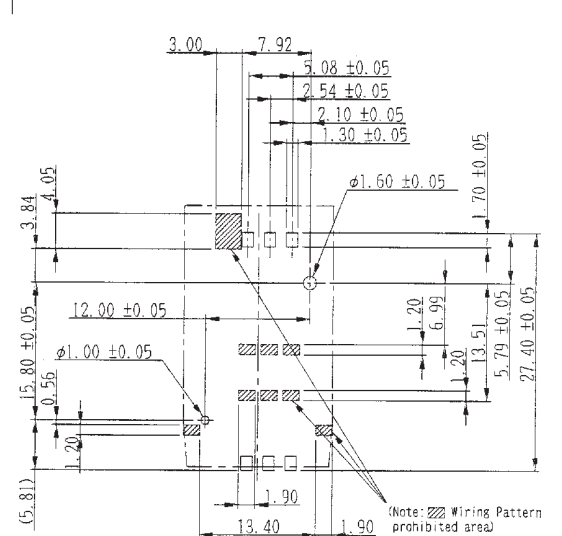
Applicable Card Dimensions



Cover Operation



Recommended PCB Layout



Specifications

Insulation Resistance:	500MΩ min. at 500V DC
Withstanding Voltage:	500V ACrms for 1 minute
Contact Resistance:	35mΩ max. at 10mA / 20mV max. Current
Rating:	0.5A
Voltage Rating:	5.0Vrms
Operating Temp. Range:	-55°C to +85°C
Mating Cycles:	5,000 insertions

Part Number (Details)

FMS 006 - 0001(01)

Series

No. of Contacts

1 = With Switch

Materials and Finish

Housing:	Insulator/Cover - LCP, glass filled (UL94V-0)
	Button - PPS, glass filled (UL94V-0)
Contact Plating:	Gold over Nickel

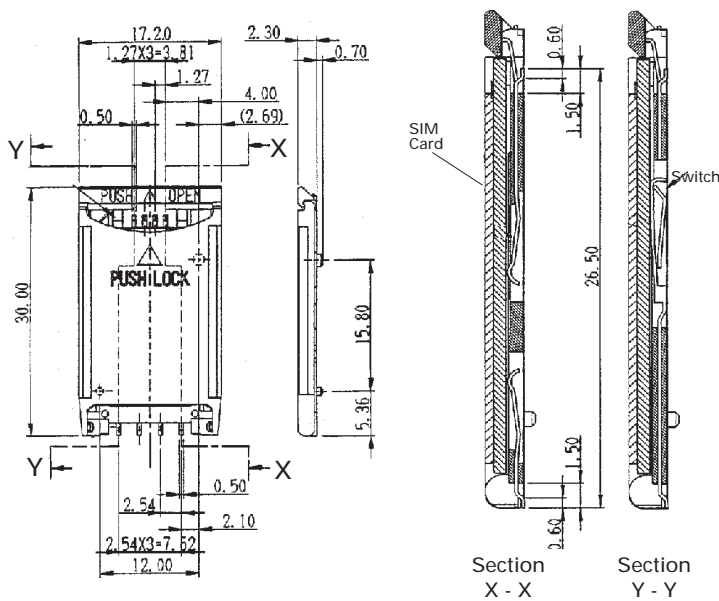


Features

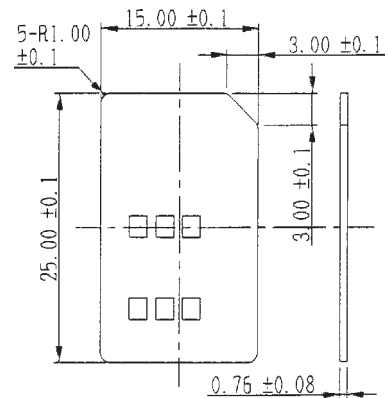
- ⇨ With switch contacts
- ⇨ One touch locking lid, which requires only one push for locking or release
- ⇨ Downsizing and low profile (height 2.3mm)
- ⇨ Light weight plastic cover to accommodate the card
- ⇨ Available in tape & reel packaging for automatic pick and place assembly (1100 pcs./reel)
- ⇨ Conforms to GSM11.11 standard



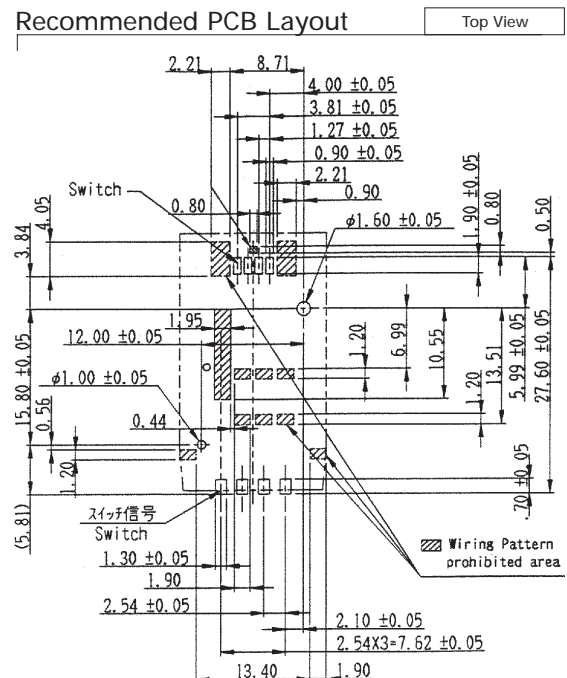
Outline Connector Dimensions



Applicable Card Dimensions



Recommended PCB Layout



Cover Operation

