

FOR BOARD-TO-CABLE CONNECTION

230R SERIES (CONFORMING TO IPI)

■ FEATURES

- These half-pitch connectors conform to the Intelligent Peripheral Interface (IPI) recommended by ANSI.
- 1.27 mm (0.050 in.) pitch contact arrangement enables high-density mounting.
- Cables and connectors are assembled by discrete wire IDC.
- Connectors on the cable side provide excellent EMI shielding/ESD protection with inner-metal and outer-plastic dual cover.
- Tails are spaced in a four-row staggered arrangement (2.54 mm (0.100 in.) × 1.905 mm (0.075 in.)) for easy PC board design.



■ SPECIFICATIONS

Item	Specifications
Operating temperature range	-55°C to +85°C
Current rating	DC 1 A
Voltage rating	AC 240 V
Contact resistance	30 mΩ max. (DC 6 V, 0.1A)
Insulation resistance	1000 MΩ min. (DC 500 V)
Dielectric withstand voltage	AC 750 V for 1 minute
Applicable wire (standard)	AWG #28 and #30 stranded wires with φ0.65 to 0.88 mm (0.026 to 0.035 in.) insulation diameter. (The applicable wires depend on the number of contacts. See the descriptions of IDC plugs and EMI/ESD resistant covers.)

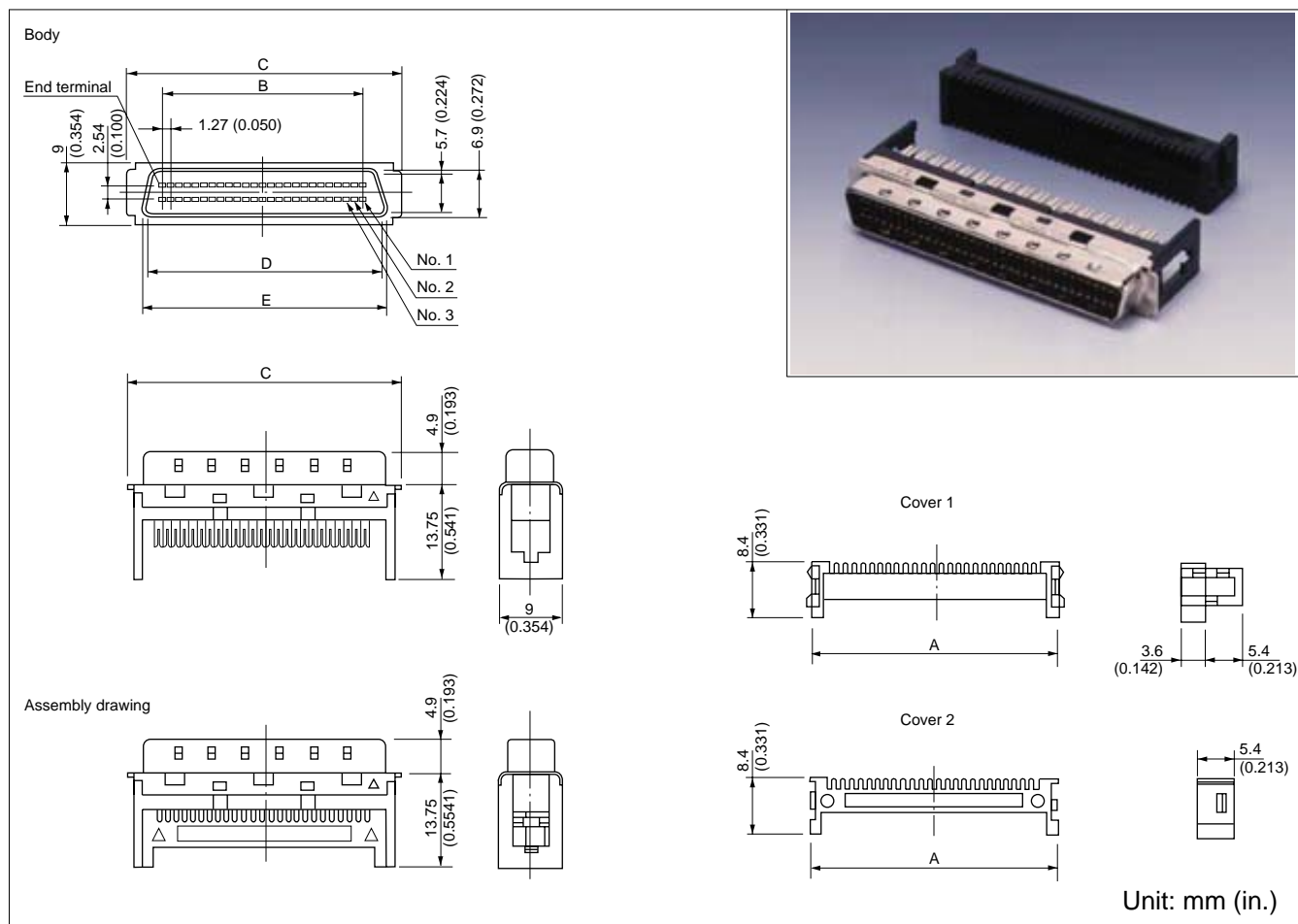
■ MATERIALS

Item	Materials	
Insulator	Polyester (UL94V-0)	
Conductor	Copper alloy	
Plating	Contact	Gold plating
	Terminal	Palladium plating

230R Series (Conforming to IPI)

INSULATION DISPLACEMENT CONNECTION (IDC) PLUG

■ DIMENSIONS



■ PART NUMBERS AND DIMENSIONS

Number of contacts	Insulation diameter of applicable wire	Part number	Dimensions (mm)				
			A	B	C	D	E
50	φ0.5 to 0.65 mm	FCN-237R050-G/E	35.80 (1.409)	30.48 (1.200)	40.30 (1.587)	34.85 (1.372)	36.05 (1.419)
	φ0.65 to 0.8 mm	FCN-237R050-G/G					
	φ0.8 to 0.88 mm	FCN-237R050-G/F					
100	φ0.65 to 0.8 mm	FCN-237R100-G/G	67.55 (2.659)	62.23(2.450)	72.05 (2.837)	66.60 (2.622)	67.80 (2.669)
	φ0.8 to 0.88 mm	FCN-237R100-G/F					

230R Series (Conforming to IPI)

CABLE ASSEMBLY TOOLS

The following tools are necessary to assemble FCN-230/230R/240/240R series connectors.

- Cable aligner (semi-automatic cable aligner or hand tool)
- IDC tool

1. Cable Aligner

Item	Semiautomatic cable aligner			Hand tool
	Body/Controller	Bed	Adaptor	
FCN-237J	FCN-M562-A/C	FCN-P560-2/A	FCN-K560-A-xxx	FCN-237T-T062/H
FCN-237R			FCN-K560-R-xxx	
FCN-247J			FCN-K560-K-xxx	
FCN-247R		FCN-P560-2/J	FCN-K560-J-xxx	FCN-247T-T061/H

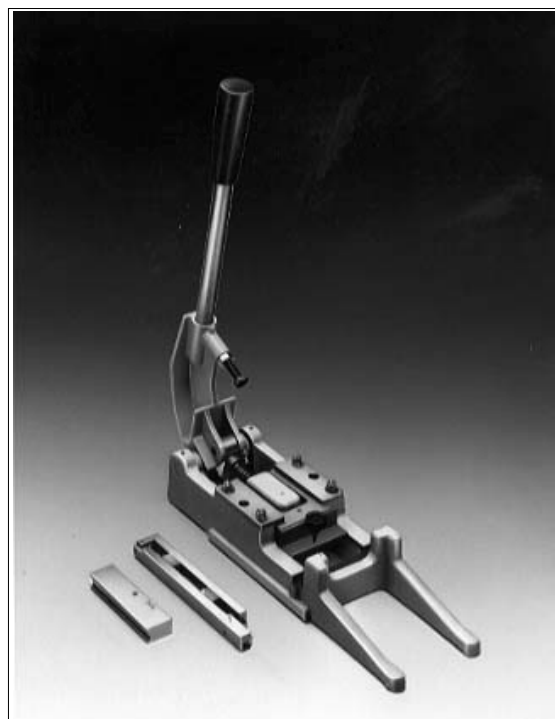
xxx indicates the number of contacts.

2. Insulation Displacement Connection (IDC) tool

Item	Hand press	Head/Table
FCN-237J	FCN-237T-T109/H	FCN-237T-T064/H
FCN-237R		FCN-237T-T067/H
FCN-237D		FCN-237T-T075/H
FCN-247J		FCN-247T-T066/H
FCN-247R		FCN-247T-T068/H
FCN-247D		FCN-247T-T077/H



• Cable aligner



• Insulation displacement connection (IDC) tool

230R Series (Conforming to IPI)

**Fujitsu Takamisawa
International
Headquarter
Offices**

www.fujitsu.takamisawa.com

Japan

Fujitsu Takamisawa Component Limited
Global Marketing and Sales
Gotanda-Chuo Building
3-5, Higashigotanda 2-chome, Shinagawa-ku
Tokyo 141, Japan
Tel: (81-3) 5449-7010
Fax: (81-3) 5449-2626

North and South America

Fujitsu Takamisawa America, Inc.
250 E. Caribbean Drive
Sunnyvale, CA 94089 U.S.A.
Tel: (1-408) 745-4900
Fax: (1-408) 745-4970

Europe

Fujitsu Takamisawa Europe B.V.
Diamantlaan 25
2132 WV Hoofddorp
Netherlands
Tel: (31-23) 5560910
Fax: (31-23) 5560950

Asia Pacific

Fujitsu Takamisawa Asia Pacific Pte. Ltd.
102E Pasir Panjang Road
#04-01 Citilink Warehouse Complex
Singapore 118529
Tel: (65) 375-8560
Fax: (65) 273-3021