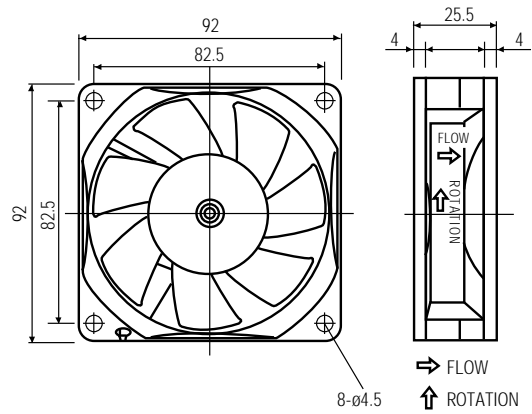
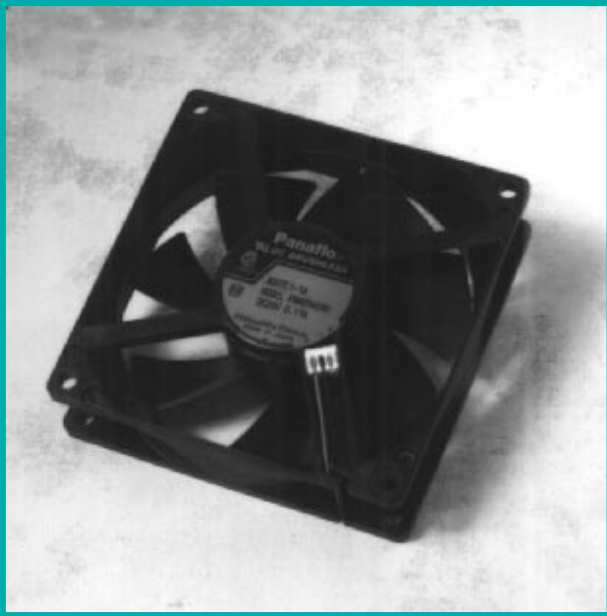
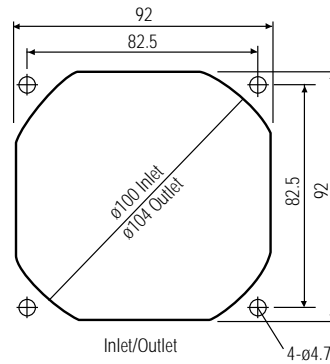


FBA09A (92mm)



Housing with solid corner type is also available

CUT OUT



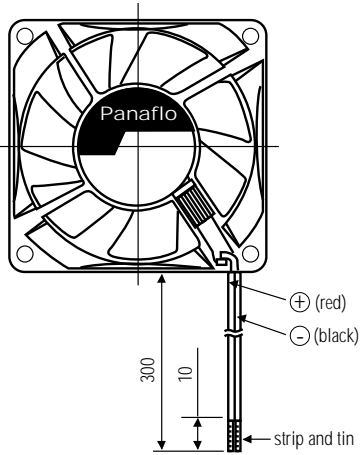
Features

- Operating Temperature: -10°C — +70°C (65% RH)
- Storage Temperature: -40°C — +75°C (65% RH)
- Bearing Type: Hydro Wave
- Connector Type: Plug-In
- Aerodynamic blade and venturi design

- Locked rotor protection and auto-start function
- Lower circuit noise by new IC
- Optional third lead wire signal (Locked rotor alarm sensor, 2PPR)
- Easy value add access to lead wires via plug-in connector on housing

Basic Data (nominal at room temperature)

| | Rated Voltage (V) | Operating Voltage (V) | Rated Current (mA) | Rated Input (W) | Nominal Speed (r/min) | Maximum Air Flow | | Maximum Air Pressure | | Noise (dB-A) |
|-----------|-------------------|-----------------------|--------------------|-----------------|-----------------------|------------------|-------|----------------------|------|--------------|
| | | | | | | (m3/min) | (CFM) | (mmH2O) | (Pa) | |
| FBA09A12L | 12 | 7—13.8 | 110 | 1.32 | 2100 | 1.21 | 42.7 | 2.30 | 22.6 | 27.0 |
| FBA09A12M | 12 | 7—13.8 | 150 | 1.80 | 2450 | 1.36 | 48.0 | 3.00 | 29.4 | 30.0 |
| FBA09A12H | 12 | 7—13.8 | 225 | 2.70 | 2850 | 1.61 | 56.8 | 3.98 | 39.0 | 35.0 |
| FBA09A12U | 12 | 7—13.8 | 430 | 5.16 | 3450 | 1.95 | 68.8 | 5.0 | 49.0 | 43.0 |
| FBA09A24L | 24 | 14—27.6 | 80 | 1.92 | 2100 | 1.21 | 42.7 | 2.30 | 22.6 | 27.0 |
| FBA09A24M | 24 | 14—27.6 | 110 | 2.64 | 2450 | 1.36 | 48.0 | 3.00 | 29.4 | 30.0 |
| FBA09A24H | 24 | 14—27.6 | 140 | 3.36 | 2850 | 1.61 | 56.8 | 3.98 | 39.0 | 35.0 |



All dimensions in mm.

Lead Wire

All lead wires are 295 mm. in length \pm 15 mm. (bare wire 10mm \pm 5mm.)

Housing and Fan Blade: Plastic (PET, PBT, ABS)

Size

92.0 x 92.0 x 25.5
(3.62 x 3.72 x 1.00)

Weight

110 grams (3.88 ounces)

Case Quantity

100 per box

Conversion Factors

1 mm H₂O = 9.8 PA

1 m³/min = 35.313 CFM

— P—Q
— N—Q

FBA09A (92mm)
Characteristics

