



# FRONTIER RGB SERIES



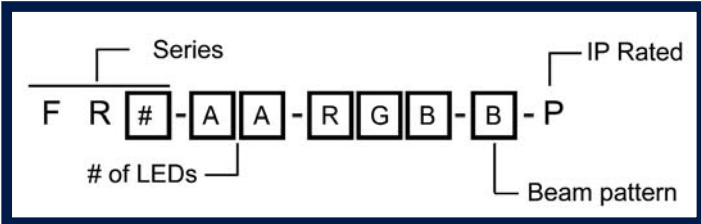
## FEATURES / BENEFITS

- ▲ Modular system with optional onboard drivers, DMX interface & IP rated connectors reduces power supply & wiring costs
- ▲ IP67 rated for wet locations
- ▲ Choice of 5 optical patterns
- ▲ Create dynamic color changing scenes with RGB LEDs
- ▲ 70% lumen maintenance @ 50,000 hrs at max ambient temp
- ▲ Self cleaning “flush” lens design
- ▲ Utilizes the latest high efficiencies LUXEON® Rebel™ LED technology
- ▲ ETL listed to UL2108 standards for wet, damp & dry location

## OPERATING CONDITIONS

- ▲ Ambient temperature = -40 to +50°C (-40 to 122°F)
- ▲ FR2 input voltage = 24 VDC
- ▲ FR2 max power consumption = 12W / ft
- ▲ Max of 8' of fixtures can be connected together in a single run off power supply. DMX can conduct through longer runs

## ORDERING INFORMATION



## APPLICATIONS

- ▲ Dynamic color changing
- ▲ Wall washing
- ▲ Flood lighting
- ▲ Facade lighting
- ▲ Building grazing
- ▲ Cove lighting

## MATERIALS/FINISH

- ▲ Anodized aluminum construction
- ▲ UV stable polycarbonate lens
- ▲ IP67 rated quick connect plug system
- ▲ 9 LUXEON Rebel LEDs per foot
- ▲ Dialight Lumidrives PMMA optics
- ▲ Two stainless steel mounting brackets included
- ▲ End plugs included (Input & extension cables sold separately)

Drive System (#)	# of LEDs / Length (AA)	Beam Pattern (B)
1 = Requires constant current driver	09 = 9 LEDs (12.01" / 305mm)	S = 5 degree spot M = 15 degree medium W = 25 degree wide V = 5x20 degree oval D = 7 degree diffused spot
2 = On board drive version - requires 24 VDC	36 = 36 LEDs (47.90" / 1217mm)	all angles are half divergence

\* LED data is manufacturers test data at 25°C Tj. Light output at max ambient temperature will be approximately 10-15% lower. Optics & lens will reduce fixture light output by additional 15-18%.

Connectors (sold separately)
<b>FR-RGB-EXTEND</b> = 10 foot (3.05 meter male to female extension cable)
<b>FR-RGB-START</b> = 20 foot (6.10 meter start connector, 5 wire ends to female input connector)
<b>FR-RGB-DMXT</b> = DMX extension cable

### Dialight-Lumidrives Ltd.

York House • Wetherby Road • Long Marston, York, YO26 7NH  
Tel: +44(0) 1904 739150 • Fax: +44(0) 1904 737926 • www.dialight.com



### Dialight Corporation

1501 Route 34 South • Farmingdale, NJ 07727 USA  
Tel: (1) 732-919-3119 • Fax: (1) 732-751-5778 • www.dialight.com



MDEXLUMFRRGB\_A

# MECHANICAL DIMENSIONS

FR1-06 : 12.01" x 2.25" x 1.13"  
(305.05mm x 57.15mm x 28.7mm)

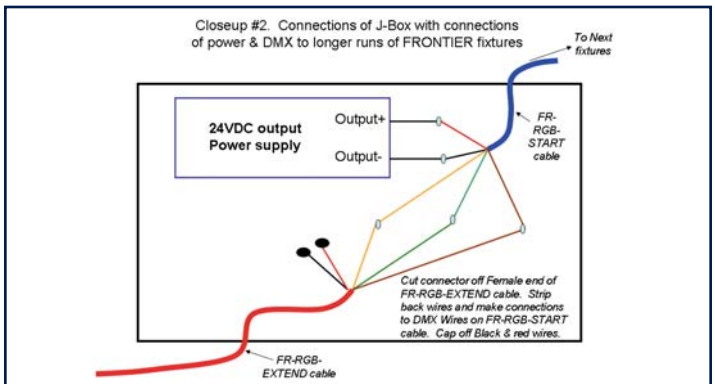
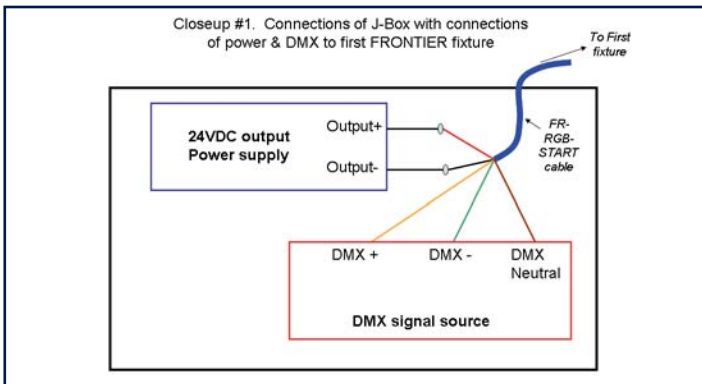
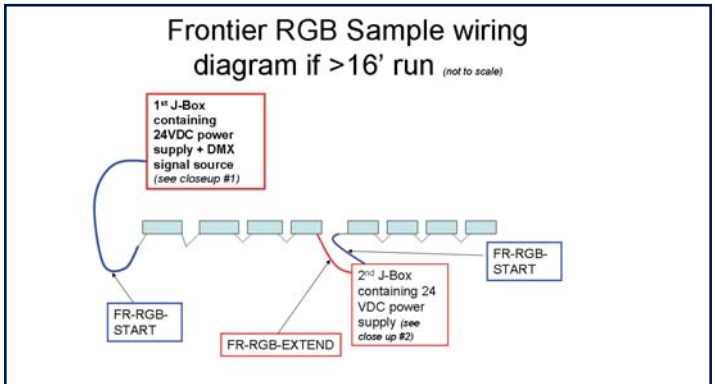
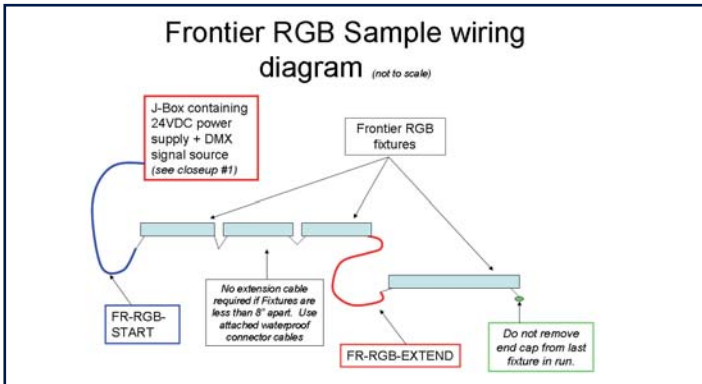
Input cable length = 12" w/ male connector

FR1-24 : 47.9" x 2.25" x 1.13"  
(1.22m x 57.15mm x 28.7mm)

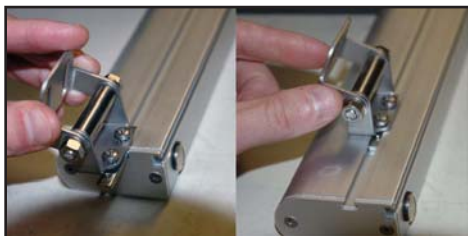
Output cable length = 2" w/ female connector

Max spacing between fixtures without extension cable = 8" Dimensions do not include mounting bracket  
Bracket height = 1.6" [40.6mm] when fully extended

# WIRING INFORMATION



# MOUNTING BRACKETS



Step 1) Slide tab on mounting bracket into channel on side or back of module.

Step 2) Move bracket to desired location, tighten screws to lock mounting bracket into module.

Note: For maximum stability, brackets should be secured close to ends of FR module.

# PHOTOMETRIC DATA

IES 32 files available - consult factory

Dialight reserves the right to make changes at any time in order to supply the best product possible.

## Dialight-Lumidrives Ltd.

York House • Wetherby Road • Long Marston, York, YO26 7NH  
Tel: +44(0) 1904 739150 • Fax: +44(0) 1904 737926 • www.dialight.com

## Dialight Corporation

1501 Route 34 South • Farmingdale, NJ 07727 USA  
Tel: (1) 732-919-3119 • Fax: (1) 732-751-5778 • www.dialight.com



MDEXLUMFRRGB\_A