



Product Overview

COLOUR ENGINE 12L is an modular red, green and blue light engine, which enables OEMs to easily construct full colour change applications using LED technology.

With simple plug and socket connections can be used for a wide range of applications including architectural detail lighting, wall wash or floodlighting.

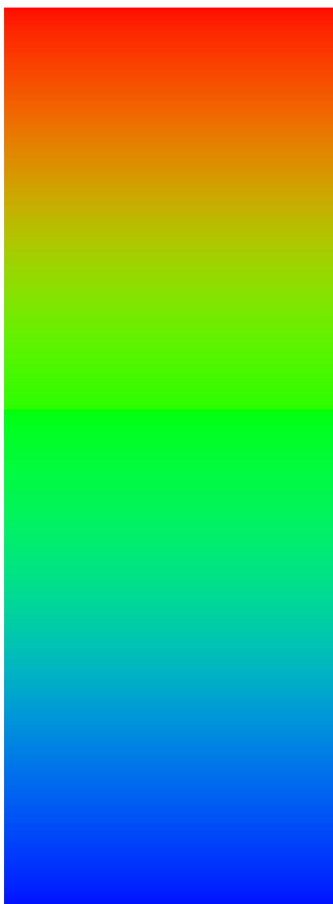
Colour Change using LED technology creates deep saturated colours with the ability for total control which is impossible with any other light source.

Features

- Very long operating life in excess of 50,000 hours
- Optimised thermal management
- Highest Flux LED technology in the world
- Compact low profile design
- Simple Plug and Play operation
- Available with a range of Optics
- No Ultra Violet
- Energy Efficient

Typical Applications

- Back lighting
- Decorative effects
- Edge lighting
- Cove and Cornice lighting
- Architectural
- Floodlighting



Specifications

Electrical

Power consumption max : Red : 4 Watts
 : Green : 4.8 Watts
 : Blue : 4.8 Watts
 Maximum current : 350mA
 Compatible drivers : Colour Driver 36

Mechanical

Construction : Metal Clad PCB Substrate
 Dimensions : 290 x 35 x 8mm (no Optics)
 : 290 x 35 x 20mm (with optics)
 Finish : Black Solder resist
 Connections : 4 Way AMP CT Connector

Environmental

Absolute Maximum PCB temperature : +105°C
 Recommended Maximum PCB temperature : +55 ° C
 Lamp life @ 55°C PCB Temperature : 50,000 hours

Notes

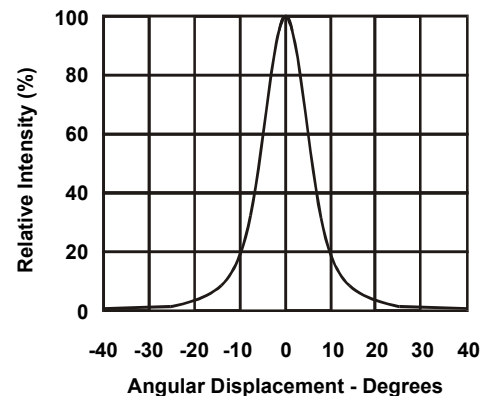
Lumidrives ColourDriver 36 range will maximise the performance and reliability of this product.

Optical Characteristics

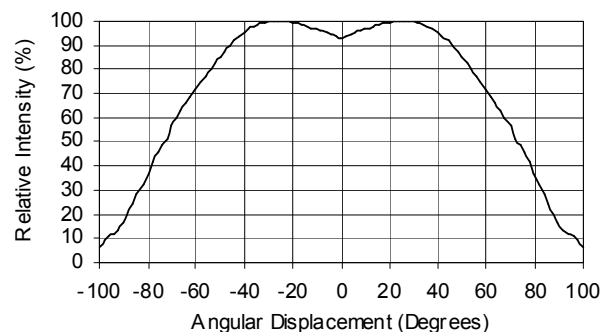


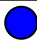


25 degree optics fitted and input connector detail

Radiation Pattern with 10 degree optic



Radiation Pattern with no optics fitted

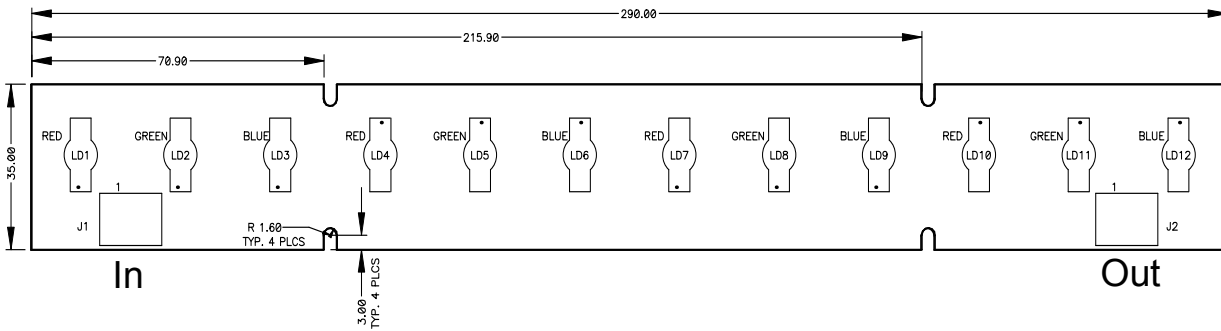


		Colour	Colour temp or dominant wavelength	Typical Luminous Flux typical (Lumens or mW)
	B	Blue	455nm	600 mW
	G	Green	530nm	120 lm
	R	Red	627nm	176 lm

Typical Lumen maintenance 70% at 50,000 hours. Tj 70°C

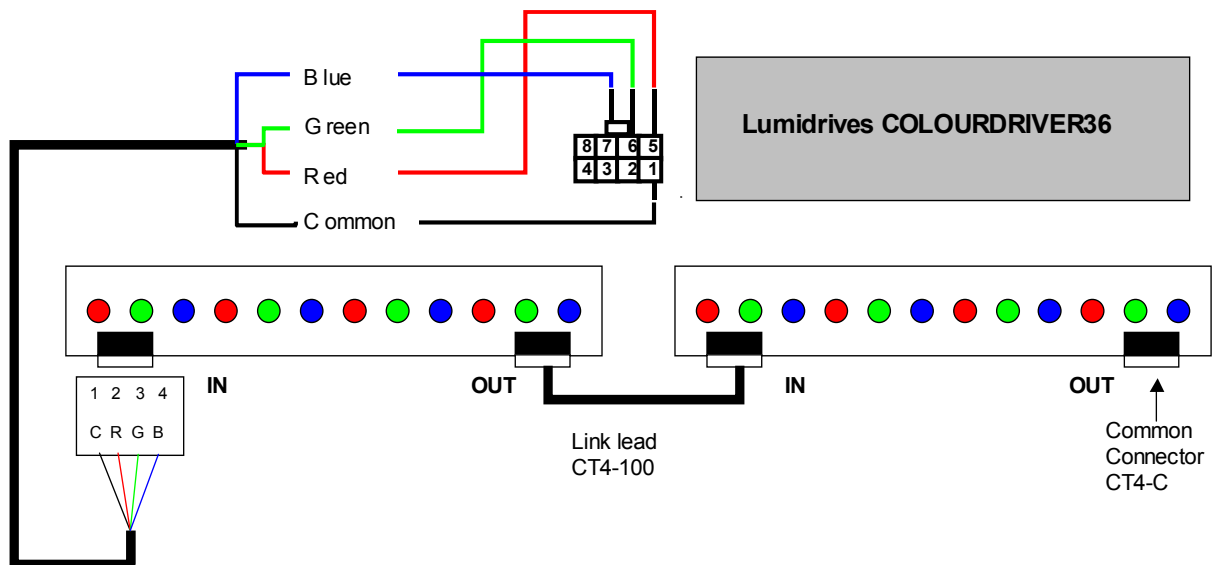


Mechanical Dimensions

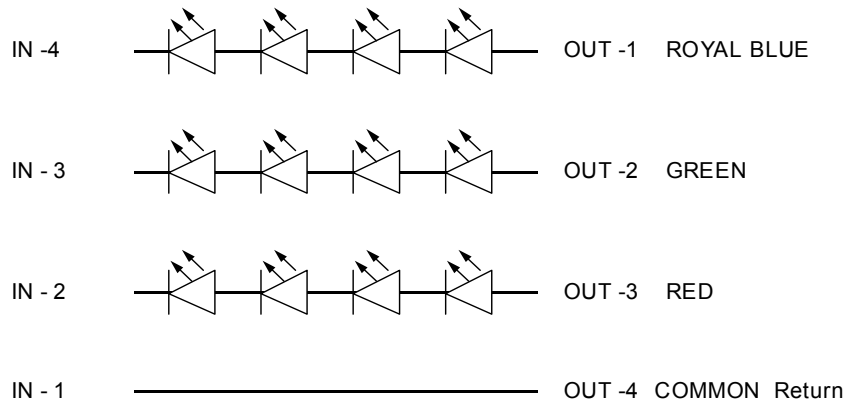


Typical Application

1 min - 3 max modules per
COLOURDRIVER36

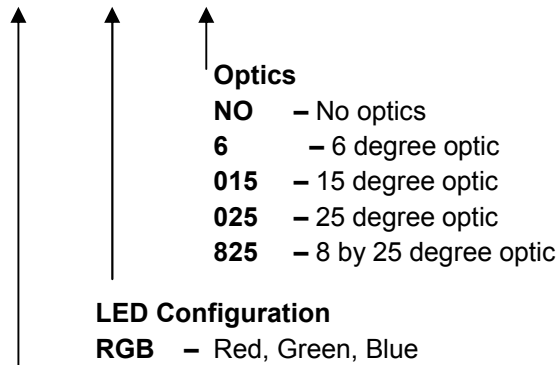


Circuit Configuration



Selection Guide

Part No	Description
CE-12L-RGB-O25	COLOUR Engine 12 Luxeon LEDs RGB Configuration with 25 degree optic



Contact

Lumidrives Ltd
 Knaresborough
 North Yorkshire
 United Kingdom
 HG5 8LF
 Tel ++ 44 (0)1423 798 255
 Fax ++ 44 (0)1423 798 266

www.Lumidrives.com

Accessories

Part No	Description
CT4-100	100mm female to female linking lead
CT4-C	Common connector for end of series

Other lengths of linking lead available to special order

