

THIS DRAWING IS UNPUBLISHED. RELEASED FOR PUBLICATION 2000  
 © COPYRIGHT 2000 BY TYCO ELECTRONICS CORPORATION. ALL RIGHTS RESERVED.

LOC	DIST	REVISIONS					
		P	LTR	DESCRIPTION	DATE	DWN	APVD
A1	-			PART NUMBER CHANGED TO TYCO ELECTRONICS	24JAN2001	ACK	GF
				B1 MAT.-COLOUR CHANGE FROM BLUE TO NATURE	30.10.07	M.S	MS
				B2 REVISED PER ECO-10-000445	11JAN09	KK	AEG

CROSS REFERENCE LIST / UEBERSETZUNGSLISTE

TE - PN	OLD PART NUMBER	SEE SHEET		TE - PN	OLD PART NUMBER	SEE SHEET
1 393 546 - 1	C42315-A1347-A101	2		<del>1 - 1 393 546 - 1</del>	C42315-A1347-A112	2
1 393 546 - 2	C42315-A1347-A102	2		<del>1 - 1 393 546 - 2</del>	C42315-A1347-A116	2
1 393 546 - 3	C42315-A1347-A103	2		1 - 1 393 546 - 3	C42315-A1347-A124	2
1 393 546 - 4	C42315-A1347-A104	2		1 - 1 393 546 - 4	C42315-A1347-A201	3
1 393 546 - 5	C42315-A1347-A105	2		1 - 1 393 546 - 5	C42315-A1347-A202	3
<del>1 393 546 - 6</del>	C42315-A1347-A106	2		1 - 1 393 546 - 6	C42315-A1347-A203	3
1 393 546 - 7	C42315-A1347-A107	2		1 - 1 393 546 - 7	C42315-A1347-A204	3
1 393 546 - 8	C42315-A1347-A108	2		<del>1 - 1 393 546 - 8</del>	C42315-A1347-A205	3
1 393 546 - 9	C42315-A1347-A109	2		1 - 1 393 546 - 9	C42315-A1347-A208	3
1 - 1 393 546 - 0	C42315-A1347-A110	2		2 - 1 393 546 - 0	C42315-A1347-A212	3

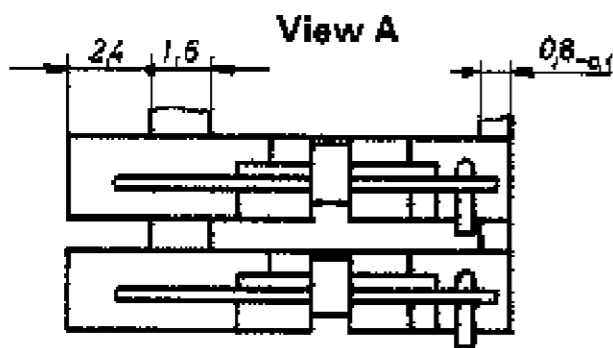
ERSETZT EC-ZEICHNUNG C42315-A1347-A1\*\*\*-27 BL. 1 UND 2  
 UND C42315-A1347-A2\*\*\*-27 BL. 1

OBSOLETE PARTS: OBSOLETE CIS STREAMLINING PER D.RENAUD/D.SINISI

<small>THIS DRAWING IS A CONTROLLED DOCUMENT FOR TYCO ELECTRONICS CORPORATION          IT IS SUBJECT TO CHANGE AND THE CONTROLLING ENGINEERING ORGANIZATION          SHOULD BE CONTACTED FOR THE LATEST REVISION.</small>		DWN 24JAN2001 G. ACKERMANN	tyco Electronics AMP GmbH D - 67346 Speyer
DIMENSIONS: mm 		CHK M. SCHLEIHAUF	
TOLERANCES UNLESS OTHERWISE SPECIFIED: 0 PLC ± 1 PLC ± 2 PLC ± 3 PLC ± 4 PLC ± ANGLES ±°		APVD G. FELDMEIER	NAME DIPFIX - SCHALTER DIPFIX - SWITCH
MATERIAL -		PRODUCT SPEC -	SIZE A3
FINISH -		APPLICATION SPEC -	CAGE CODE 00779
		WEIGHT -	DRAWING NO C=1393546-1
		CUSTOMER DRAWING	RESTRICTED TO -
		SCALE 1:1	SHEET 1 OF 3
			REV B2

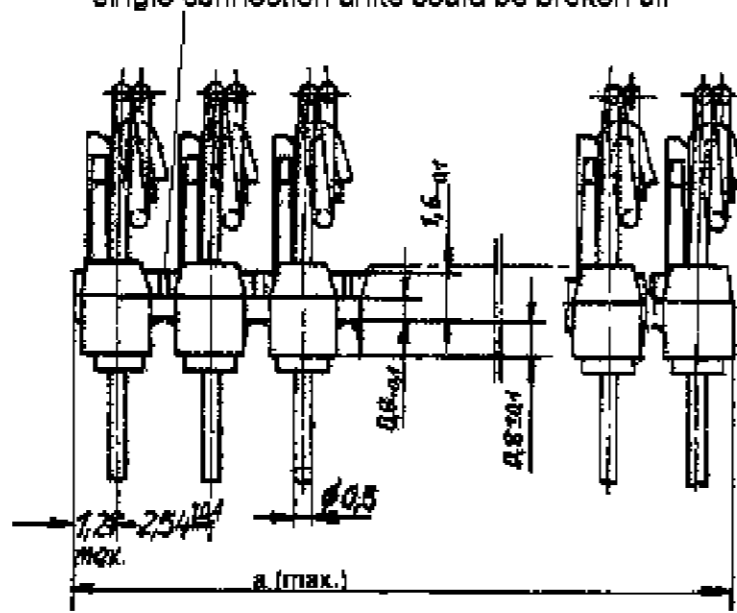
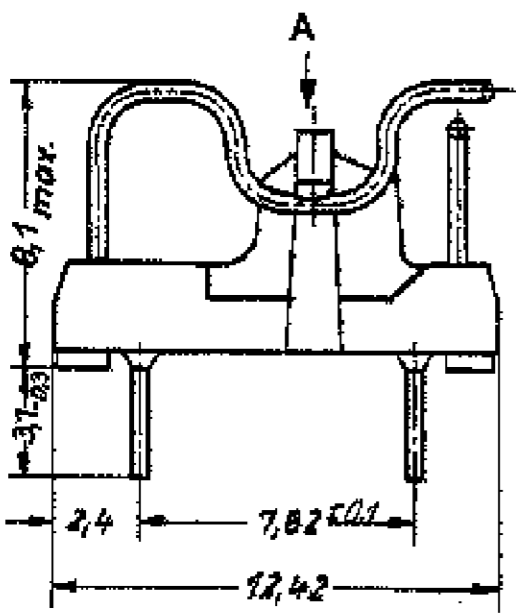
THIS DRAWING IS UNPUBLISHED. RELEASED FOR PUBLICATION 2000. BY TYCO ELECTRONICS CORPORATION. ALL RIGHTS RESERVED.

LOC	DIST	REVISIONS			
P	LTR	DESCRIPTION	DATE	DWN	APVD
A1	-	SEE SHEET 1	-	-	-



1) Beim Kleinmaß 5,08 müssen die Schalter spiegelbildlich montiert werden  
 In the case of dim. 5,08 the switches have to be mounted rear side to rear side

Sallbruchstellen, einzelne Verbindungen abtrennbar  
 Predetermined breaking point, single connection units could be broken off



2

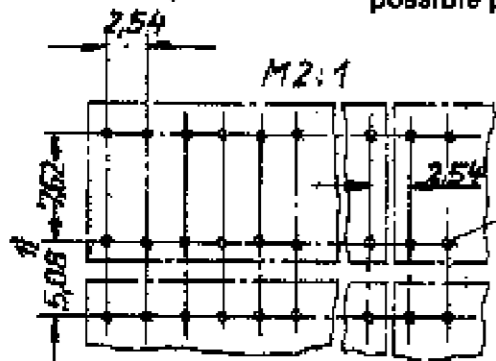
2

2

TE - PN	OLD PART NUMBER	DIMENSION a	POSITION NUMBER POLZAHL
1 393 546 - 1	C 42315-A1347-A101	2.54	1
1 393 546 - 2	C 42315-A1347-A102	5.08	2
1 393 546 - 3	C 42315-A1347-A103	7.62	3
1 393 546 - 4	C 42315-A1347-A104	10.16	4
1 393 546 - 5	C 42315-A1347-A105	12.7	5
<del>1 393 546 - 6</del>	<del>C 42315-A1347-A106</del>	<del>15.24</del>	<del>6</del>
1 393 546 - 7	C 42315-A1347-A107	17.78	7
1 393 546 - 8	C 42315-A1347-A108	20.32	8
1 393 546 - 9	C 42315-A1347-A109	22.86	9
1 - 1 393 546 - 0	C 42315-A1347-A110	25.4	10
<del>1 - 1 393 546 - 1</del>	<del>C 42315-A1347-A112</del>	<del>30.48</del>	<del>12</del>
<del>1 - 1 393 546 - 2</del>	<del>C 42315-A1347-A116</del>	<del>40.64</del>	<del>16</del>
1 - 1 393 546 - 3	C 42315-A1347-A124	60.96	24

Rasterlochung u. Packungsdichte

Mounting holes and possible package density



Lochdurchmesser Hole diameter min. 0,8 mm

Schaltschema (Beispiel: B Verbindungsmöglichkeit)



Circuit schematic (example: B connections)



MATERIAL: PBTP-GF30; COLOUR: NATURE

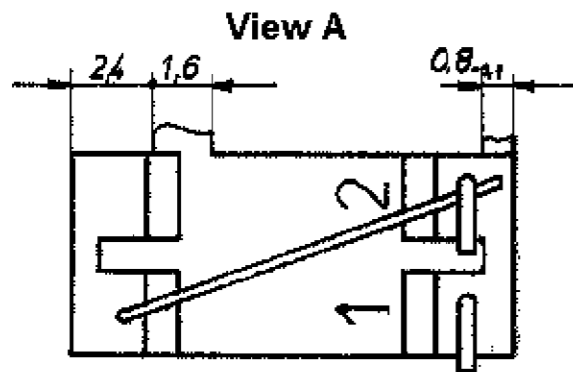
ERSETZT EC-ZEICHNUNG C42315-A1347-A1\*\*-\*-27 BL. 1 UND 2

2 OBSOLETE PARTS: OBSOLETE CIS STREAMLINING PER D.RENAUD/D.SINISI

<small>THIS DRAWING IS A CONTROLLED DOCUMENT FOR TYCO ELECTRONICS CORPORATION IT IS SUBJECT TO CHANGE AND THE CONTROLLING ENGINEERING ORGANIZATION SHOULD BE CONTACTED FOR THE LATEST REVISION.</small>		DWN 24 JAN 2001 G. ACKERMANN CHR - M. SCHLEIHAUF APVD - G. FELDMAYER PRODUCT SPEC APPLICATION SPEC WEIGHT -		<b>tyco Electronics</b> tyco Electronics AMP GmbH D - 67346 Speyer NAME DIPFIX - SCHALTER DIPFIX - SWITCH	
DIMENSIONS: mm 		TOLERANCES UNLESS OTHERWISE SPECIFIED: 1. P/C ± 2. P/C ±0.15 3. P/C ± P/L ANGLES ±1° MATERIAL - FINISH -		SIZE A3 CAGE CODE 00779 DRAWING NO. C=1393546-1 RESTRICTED TO -	
CUSTOMER DRAWING			SCALE 5:1, 2:1		SHEET 2 OF 3 REV B2

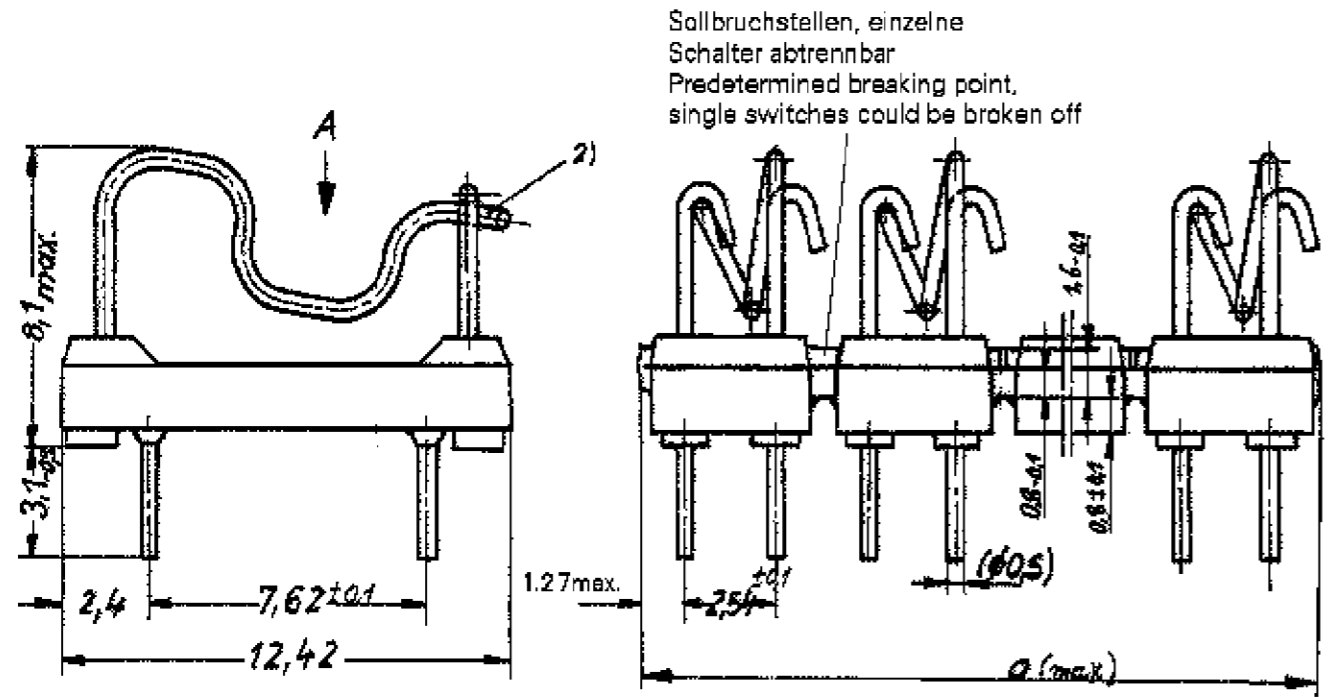
THIS DRAWING IS UNPUBLISHED. RELEASED FOR PUBLICATION 2000  
 © COPYRIGHT 2000 BY TYCO ELECTRONICS CORPORATION. ALL RIGHTS RESERVED.

LOC	DIST	REVISIONS			
P	LTR	DESCRIPTION	DATE	DWN	APVD
A1	-	SEE SHEET 1	-	-	-



1) Beim Kleinmaß 5,08 müssen die Schalter spiegelbildlich montiert werden  
 In the case of dim. 5,08 the switches have to be mounted rear side to rear side

2) ausgeliefert in ausgehaktm Zustand  
 delivered in unlocked condition

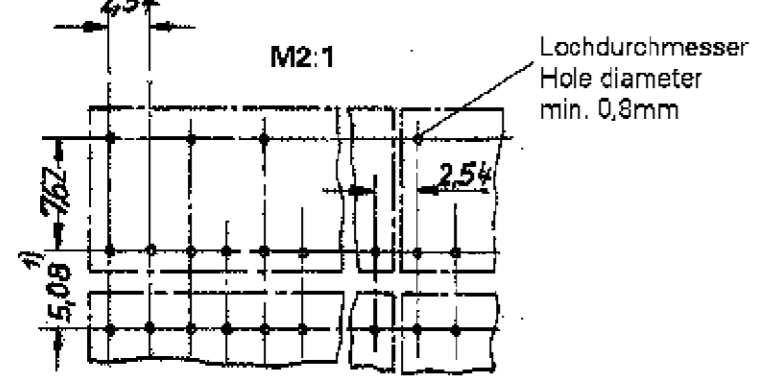


Sollbruchstellen, einzelne Schalter abtrennbar  
 Predetermined breaking point, single switches could be broken off

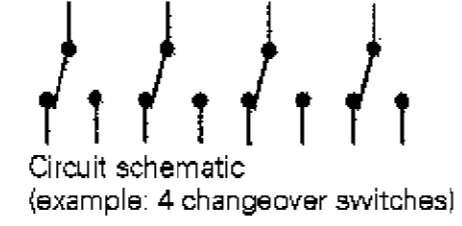
2

TE - PN	OLD PART NUMBER	DIMENSION a	POSITION NUMBER POLZAHL
1 - 1 393 546 - 4	C42315-A1347-A201	5.08	1
1 - 1 393 546 - 5	C42315-A1347-A202	10.16	2
1 - 1 393 546 - 6	C42315-A1347-A203	15.24	3
1 - 1 393 546 - 7	C42315-A1347-A204	20.32	4
1 - 1 393 546 - 8	C42315-A1347-A205	25.4	5
1 - 1 393 546 - 9	C42315-A1347-A208	40.64	8
2 - 1 393 546 - 0	C42315-A1347-A212	60.96	12

Rasterlochung und Packungsdichte  
 Mounting holes and possible package density



Schaltschema (Beispiel: 4 Umschalter)



Circuit schematic (example: 4 changeover switches)



ERSETZT EC-ZEICHNUNG C42315-A1347-A2\*\*\*-27 BL.1

2 OBSOLETE PARTS: OBSOLETE CIS STREAMLINING PER D.RENAUD/D.SINISI

THIS DRAWING IS A CONTROLLED DOCUMENT FOR TYCO ELECTRONICS CORPORATION IT IS SUBJECT TO CHANGE AND THE CONTROLLING ENGINEERING ORGANIZATION SHOULD BE CONTACTED FOR THE LATEST REVISION.		DWN 24 JAN 2001 G. ACKERMANN	tyco Electronics AMP GmbH D - 67346 Speyer
DIMENSIONS: mm		CHK M. SCHLEIHAUF	
TOLERANCES UNLESS OTHERWISE SPECIFIED:		APVD G. FELDMEIER	NAME
0 PLC ± 1 PLC ± 2 PLC ± 3 PLC ± 4 PLC ± ANGLES ±°		PRODUCT SPEC -	DIPFIX - SCHALTER DIPFIX - SWITCH
MATERIAL -		APPLICATION SPEC -	SIZE A3
FINISH -		WEIGHT -	CAGE CODE 00779
		CUSTOMER DRAWING	DRAWING NO. C=1393546-1
			RESTRICTED TO -
			SCALE 5:1, 2:1
			SHEET 3 OF 3
			REV B2