

CodeWarrior™ MPC885 QUICCstart Evaluation System

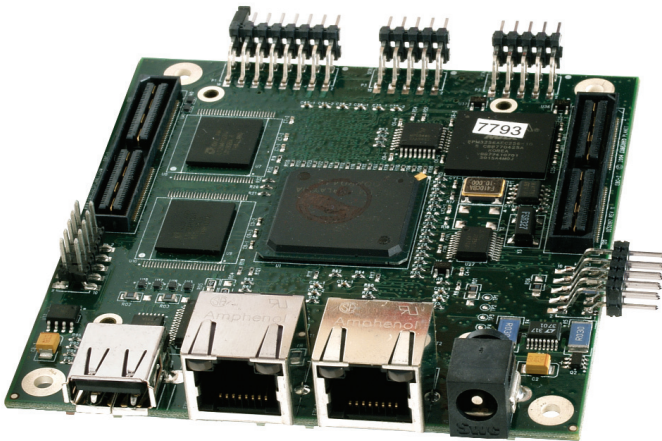
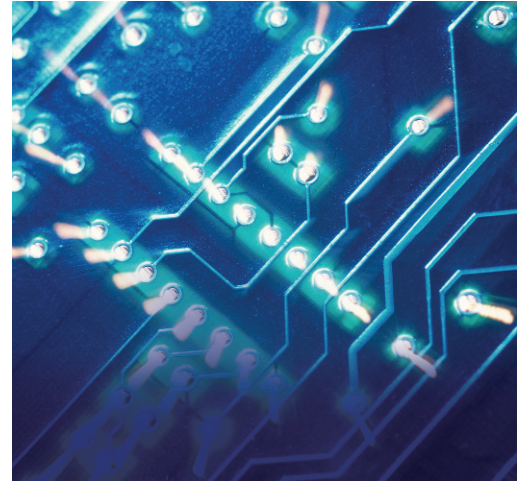
Overview

The Freescale QUICCstart MPC885 Evaluation System is a powerful, low-cost platform that allows a developer to rapidly design and execute a project with the cost-efficient yet powerful Freescale MPC885 PowerQUICC I Processor. This allows you to take CPU design out of your critical path and concentrate on your application specific hardware and software.

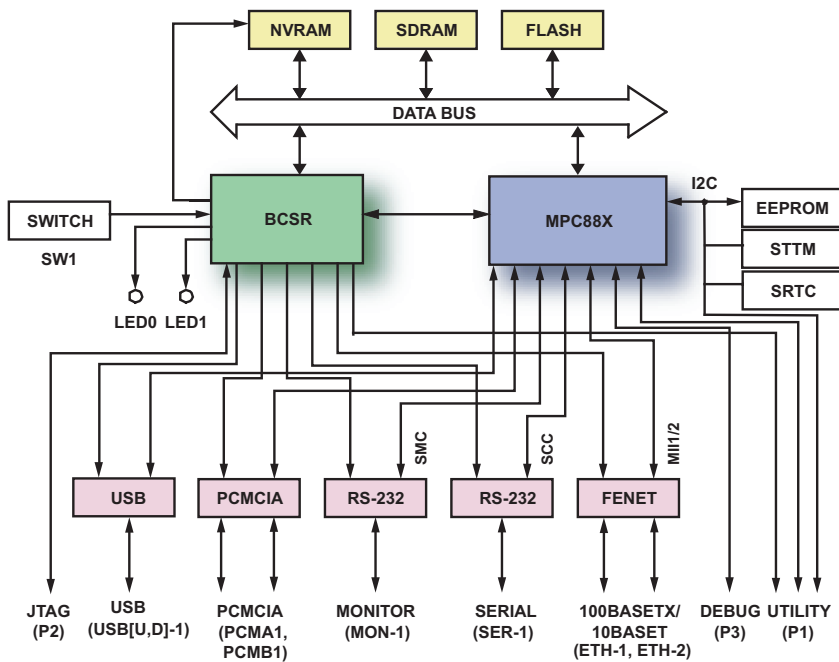
This QUICCstart uses the Freescale MPC885 PowerQUICC I processor on a compact and powerful credit card sized single board computer module. The MPC885 processor features an integrated PowerPC core and Communications Processor Module (CPM) to provide a scalable computing solution for networked devices. The PowerPC core runs at a speed of 133MHz and provides general purpose control and computing functionality, while the dedicated CPM offloads communications functions such as USB, Fast Ethernet, HDLC, and ATM. The small form factor and expansion bus capability

make this an ideal board for implementing a cost-efficient yet powerful embedded CPU module. The processor expansion bus brings all of the processor signals to standard connectors allowing you simple and full access to the power of the processor. In addition the MPC885 includes an integrated security engine to accelerate processing of encryption protocols such as AES, DES/3DES, and SHA/MD5/HMAC.

QUICCstart Evaluation Systems come complete with the processor board, power supply, CodeWarrior USB TAP run control device, cables, and evaluation copies of CodeWarrior Development Studio Communications Processors Edition and Linux Platform & Application Editions for PowerPC. A Linux board support package is also supplied on CD and is flashed to the board. This evaluation system has been packaged and documented so that you can be productive within 30 minutes of unpacking the kit.



CodeWarrior MPC885 QUICCstart Evaluation System



Benefits:

CodeWarrior Tools Integration: a trial copy of Freescale's own CodeWarrior development tools provides a single development environment that includes CodeWarrior compilers, high-performance hardware debug capability via the included USB TAP with support for conditional breakpoints, data watchpoints and expression evaluation, a comprehensive Project Manager and Build System with an easy-to-use GUI and graphical flash memory programming capability.

Free Schematics: a PDF of this board's schematics are available. These schematics can give an engineer a solid starting point when considering the use of this processor in their own boards.

Experienced Support: as a supplier of evaluation systems, reference designs and hardware-assisted debugging tools for an array of microprocessors, Freescale has the experience necessary to provide

knowledgeable, responsive application and technical support for development projects.

Linux Board Support Package: Freescale provides the source code for a board support package available for use with our Linux Platform Edition product. Developers can fully utilize and modify the source code for current and future projects.

Accelerated Early Development: firmware, hardware and production test engineers can each take advantage of Freescale evaluation systems and reference designs. Firmware and hardware engineers can adapt Freescale evaluation systems to their own, enabling them to reduce development time. Production test engineers can use the board and included CodeWarrior Tools and USB TAP to design and prototype complex and efficient production algorithms before the custom hardware is prototyped.

Ordering Info:

Part # CWH-PPC-885XN-VX

Features:

- > Freescale Power QUICC I PowerPC
- > MPC885 processor at 133MHz
- > Evaluation copies of CodeWarrior Development Studio Communications Processors Edition and Linux Platform & Application Editions for PowerPC
- > Free PDF schematic
- > Experienced Freescale support
- > Linux board support package
- > 64MB SDRAM
- > 32MB Flash
- > 512KB NVRAM
- > USB 1.1 Host
- > 2 x 10/100 Ethernet
- > 2 RS-232 Serial Ports
- > Expansion: EBC bus brings out CPU signals for "drop-in" CPU module
- > Power Supply: Single 3.3V power supply connection
- > Form Factor: Credit Card (3.55in x 2.67in)
- > Debug: On-board JTAG connection for simplicity in software debug

Learn More: For more information about Freescale products, please visit www.freescale.com/codewarrior