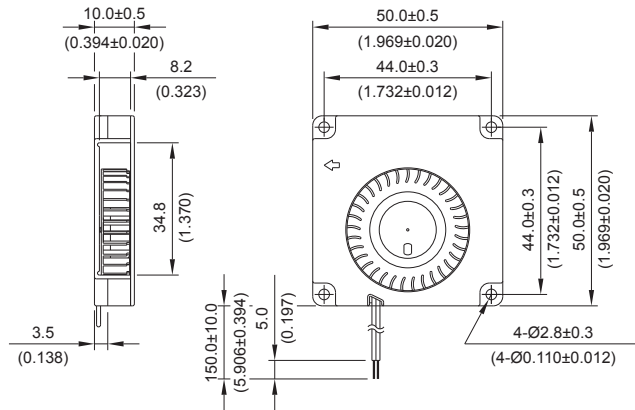


*New*



# BFB 50 x 50 x 10 MM SERIES

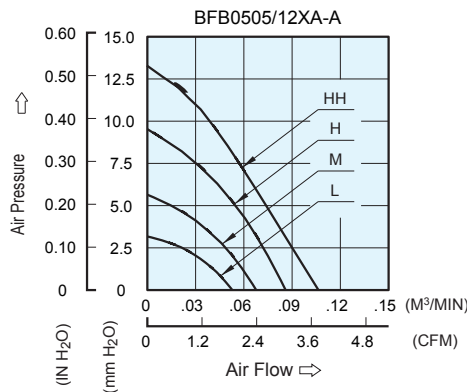
## ■ DIMENSIONS DRAWING



UNIT :  $\frac{\text{mm}}{\text{INCH}}$

- \* Bearing Type  
Ball Bearings
- \* Material  
Impeller & Frame : Plastic(UL 94V-0)
- \* Lead Wires :  
UL 1571 AWG #28 OR Equivalent  
Red Wire Positive(+)  
Black Wire Negative(-)
- \* Weight : 16.5g (0.58 OZ)

## ■ P & Q CURVE (AT RATED VOLTAGE)



| MODEL      |      |             | Rated Voltage | Operating Voltage Range | Input Current | Input Power | Speed  | Maximum Air Flow     |      | Maximum Air Pressure |                     | Noise |
|------------|------|-------------|---------------|-------------------------|---------------|-------------|--------|----------------------|------|----------------------|---------------------|-------|
| PART NO.   | REV. | FUNCTION    | VDC           | VDC                     | Amp           | Watt        | R.P.M. | m <sup>3</sup> / min | CFM  | mmH <sub>2</sub> O   | IN H <sub>2</sub> O | dB-A  |
| BFB0505LA  | -A   | -R00 / -F00 | 5             | 4.0 to 5.5              | 0.05          | 0.25        | 3500   | 0.053                | 1.87 | 3.18                 | 0.125               | 22.5  |
| BFB0512LA  | -A   | -R00 / -F00 | 12            | 7.0 to 13.2             | 0.04          | 0.48        |        |                      |      |                      |                     |       |
| BFB0505MA  | -A   | -R00 / -F00 | 5             | 4.0 to 5.5              | 0.07          | 0.35        | 4500   | 0.068                | 2.40 | 5.64                 | 0.222               | 28.0  |
| BFB0512MA  | -A   | -R00 / -F00 | 12            | 7.0 to 13.2             | 0.05          | 0.60        |        |                      |      |                      |                     |       |
| BFB0505HA  | -A   | -R00 / -F00 | 5             | 4.0 to 5.5              | 0.12          | 0.60        | 5500   | 0.086                | 3.04 | 9.47                 | 0.373               | 32.5  |
| BFB0512HA  | -A   | -R00 / -F00 | 12            | 7.0 to 13.2             | 0.08          | 0.96        |        |                      |      |                      |                     |       |
| BFB0505HHA | -A   | -R00 / -F00 | 5             | 4.0 to 5.5              | 0.16          | 0.80        | 6500   | 0.110                | 3.88 | 13.43                | 0.529               | 37.5  |
| BFB0512HHA | -A   | -R00 / -F00 | 12            | 7.0 to 13.2             | 0.09          | 1.08        |        |                      |      |                      |                     |       |

\* Function type is optional.  
 \* The max. air flow and the speed are measured in free air ; max. air pressure is measured at zero air flow.  
 \* Noise is measured in anechoic chamber in free air, one meter from intake side.  
 \* All readings are typical values at rated voltage.  
 \* Specifications are subject to change without notice.