

APU-9000-C Series Kiosk Printers

APU-9000-C

New C series kiosk printers set the standard for performance and reliability in self-service. That means a better user experience and lower operating costs. And, with a sleek new design, you get more integration flexibility.

Small.

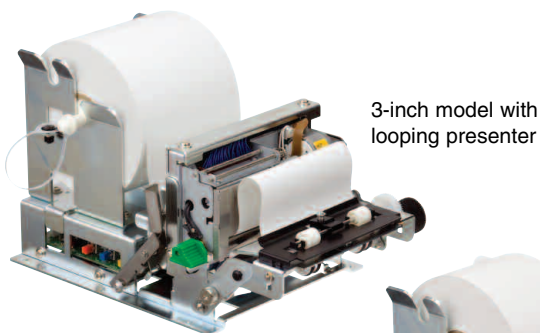
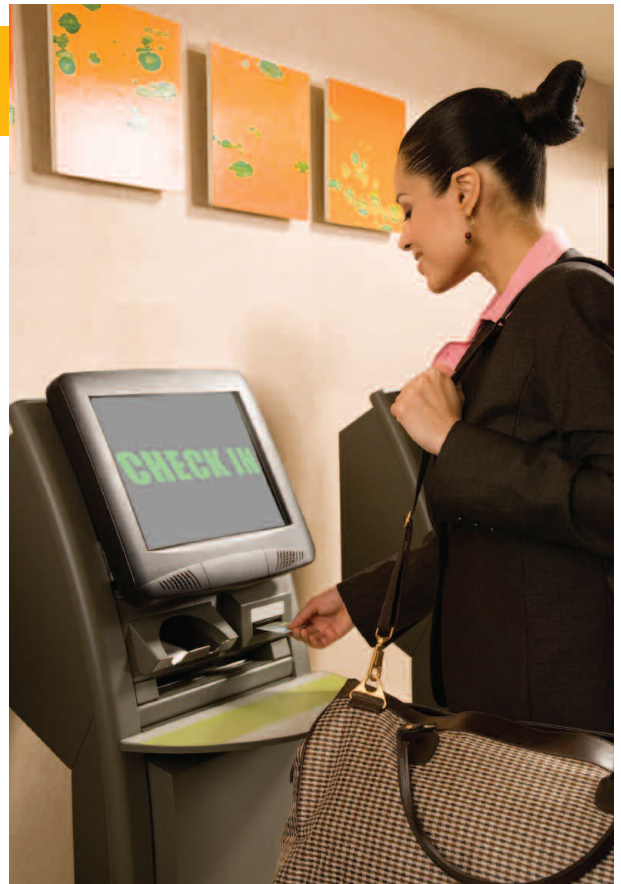
C series kiosk printers fit into tight spaces. With an innovative small footprint design, these units provide the flexibility to support shrinking self-service devices, avoiding integration headaches.

Fast.

C series models achieve blazingly fast print speeds, up to 250 mm/second (almost 10 inches/second). This unsurpassed kiosk printer performance optimizes the user experience by accelerating transaction times.

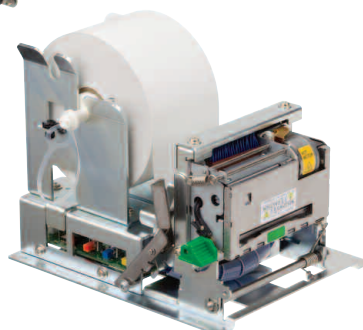
Reliable.

C series printers give you built-in reliability. The precision engineering design, incorporating heavy-duty components, is proven through an arduous test regimen. Service life ratings include a minimum of 150 km printing and at least 1 million cuts, for long-life dependability. Extreme temperature support (-20 to 60 degrees C) makes these units ideal for outdoor applications. And an array of operating sensors ensures critical monitoring and performance assurance capability, while an optional looping presenter helps avoid costly paper jams. With proven reliability, C series kiosk printers avoid painful downtime, minimize operating and maintenance costs, and deliver a better user experience.



3-inch model with looping presenter

2-inch model



- 2 and 3-inch print width models
- 250 mm/second print speeds
- Minimum 150 km total printing
- Heavy-duty cutter (1 million or more cuts)
- Extreme temperature support (-20 to 60 degrees C)
- Optional looping presenter for added reliability
- Ideal for ticket and receipt printer applications (up to 155 µm thickness)



APU-9000-C Series Kiosk Printers

Product Specifications

Model		APU-9247-C01	APU-9347-C01	APU-9247-C02	APU-9347-C02
Printing	Presenter	No		Yes	
	Methods	Thermal line dot printing			
	No. dots/line	448	640	448	640
	Resolution (dots/mm)	8			
	Paper width (mm)	58/60 ^{±0}	80/82.55 ^{±0}	58/60 ^{±0}	80/82.55 ^{±0}
	Printing width (mm)	54/56	76/80	54/56	76/80
	Speed (max mm/sec)	250			
	Paper path	Straight			
	Character matrix (H x W dots)	24x24, 24x12, 16x16, 16x8			
	Character size	3.0 x 3.0, 3.0 x 1.5, 2.0 x 2.0, 2.0 x 1.0			
Character type (H x W mm)	Optional Font, Downloaded Character, User-defined Character Extend Graphics Character set, Katakana Character set, JIS 1&2 level Kanji				
Bar code	UPC-A/E, JAN(EAN)8/13, ITF, CODE39, CODABAR, CODE93, CODE128, EAN128, PDF417, Data Matrix, Maxi Code, QR Code				
Power supply (V)	21.6 to 26.4				
Communication Interface	Serial(RS-232C), Parallel, USB				
Input buffer	2048 bytes				
Command	ESC/POS™ conformity *1				
Cutting	Method	Slide type			
	Cutting type	Partial cut / Full cut			
Service life	Pulse activation (pulses)	150 million			
	Abrasion resistance (km)	150 ^{±2}			
	Min. cuts	1,000,000			
Operating temperature (C°)	-20 to 60				
Dimensions (WxDxH mm)	136.0 x 165.0 x 135.0 ^{±3}		136.0 x 216.2 x 135.0 ^{±3}		
Mass (g)	Approx. 1500	Approx. 1600	Approx. 1600	Approx. 1700	

*1 ESC/POS: Registered trademark of SEIKO EPSON CORP. *2 Use recommended thermal paper. *3 Excluding protrusion.



Seiko Instruments USA Inc.
Thermal Printer Division
2990 Lomita Blvd., Torrance, CA 90505
Telephone (310) 517-7778
Facsimile (310) 517-8154
Email: printerinfo@siu-la.com
www.siiprinters.com