

SPECIFICATIONS

Mechanical

Contact Retention Force: 0.10kg min.
Durability : 25 Cycles

Electrical

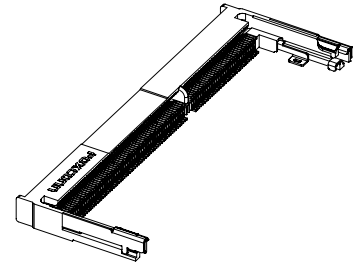
Voltage Rating: 25V
Current Rating: 0.5A
Contact Resistance: 50mΩ max.
Dielectric Withstanding Voltage: 250V AC/1 min.
Insulation Resistance: 100MΩ

Physical

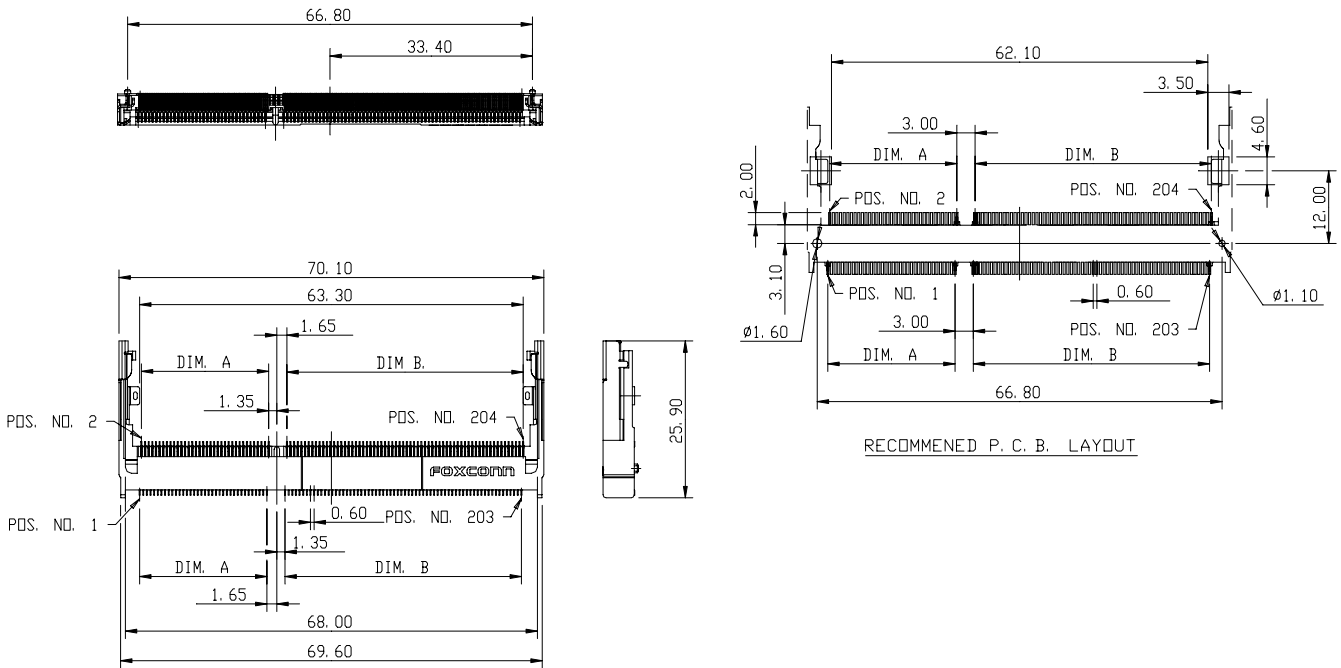
Housing: Thermoplastic, UL 94V-0 rated in Ivory Color
Contact: Copper alloy
Plating: See "ORDERING INFORMATION"
Metal Spring: Copper alloy
Operating Temperature: -55°C to +85°C

DDRIII SO DIMM Socket

AS Series
5.2mm Height SMT Type
0.60mm Pitch
200 Pos.



DRAWING



ORDERING INFORMATION

PRODUCT NO.: **A S 0 A6 2 * - U 2 * N - * F**

- Memory Module Socket
- Horizontal Type
- Single Row
- No. of Pos.
A6=204 Pos.
- SMT TYPE
- Contact Area Plating
6=10u" Gold
1=Gold Flash
- F=LEAD FREE
- 4=SOFT TRAY
7=TAPE REEL
- N =GENERAL TYPE
- S=Standard Type
R=Reverse Type
- 2=5.2mm Height
- U=DDRIII SO DIMM

AS0A62*-U2RN-*F	39.00	21.00
AS0A62*-U2SN-*F	21.00	39.00
P/N	DIM. A	DIM. B