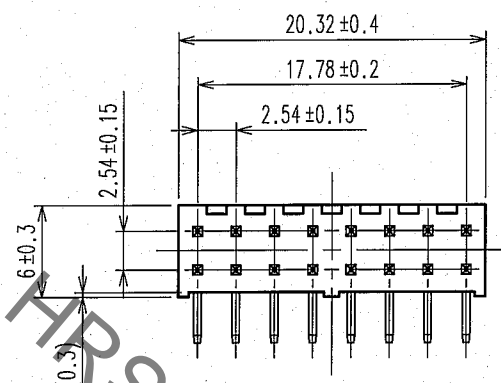
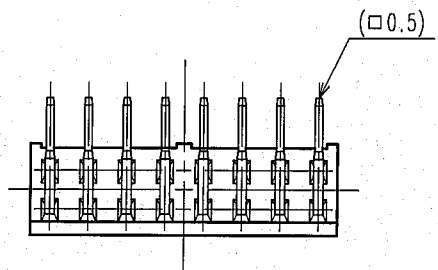
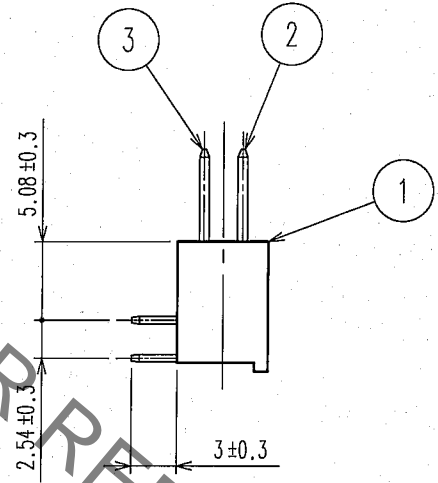
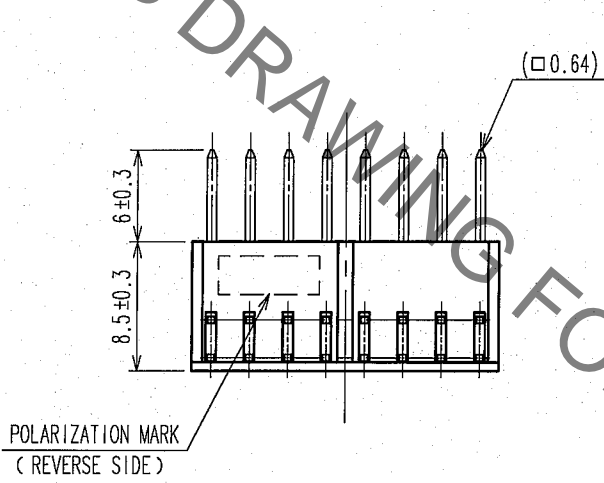
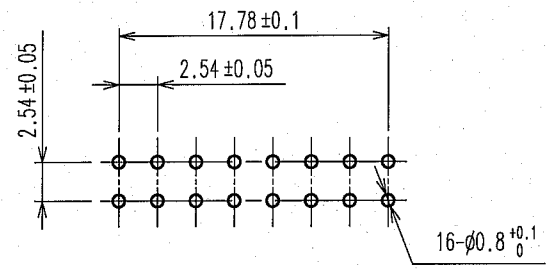


In case of consideration for using Automotive equipment / device which demand high reliability, kindly contact our sales window correspondents.

1		2			3			4		
COUNT	DESCRIPTION OF REVISIONS	BY	CHKD	DATE	COUNT	DESCRIPTION OF REVISIONS	BY	CHKD	DATE	
△					△					
△					△					
△					△					



RECOMMENDED PC BOARD HOLE PATTERN



NOTE 1. THE DIMENSIONS IN PARENTHESES ARE FOR REFERENCE.

1	PBT	BLACK UL94V-0	2, 3	BRASS	CONTACT AREA : GOLD 0.2μ m min.	
				DIP AREA : TIN-PLATING 2μ m min.		
				UNDER PLATING : NICKEL 2.5μ m min.		
NO.	MATERIAL	FINISH, REMARKS	NO.	MATERIAL	FINISH, REMARKS	
CODE NO. (OLD)	DRAWN		DESIGNED	CHECKED	APPROVED	RELEASED
CL	K.NAKAMURA		K.NAKAMURA	C. Ogawa	H. Okawa	
	07.02.01		07.02.01	07.02.01	07.02.01	
DRAWING NO.			PART NO.			
EDC4-018132-21			A1-16PA-2.54DS(71)			
SCALE			CODE NO.			
2 : 1			CL619-0005-8-71			
UNITS			1			
mm			1			

TO