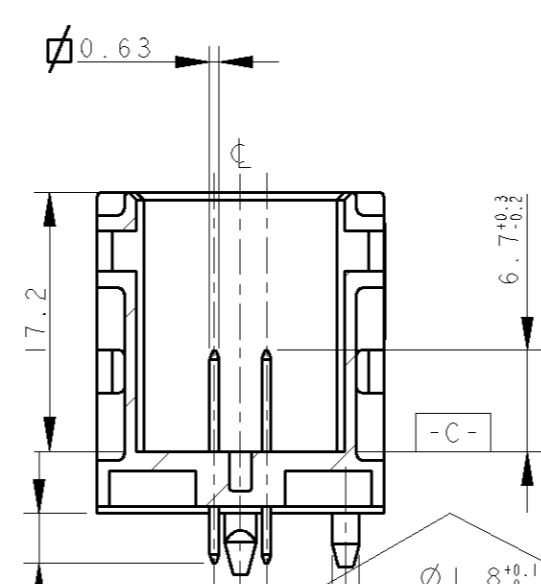
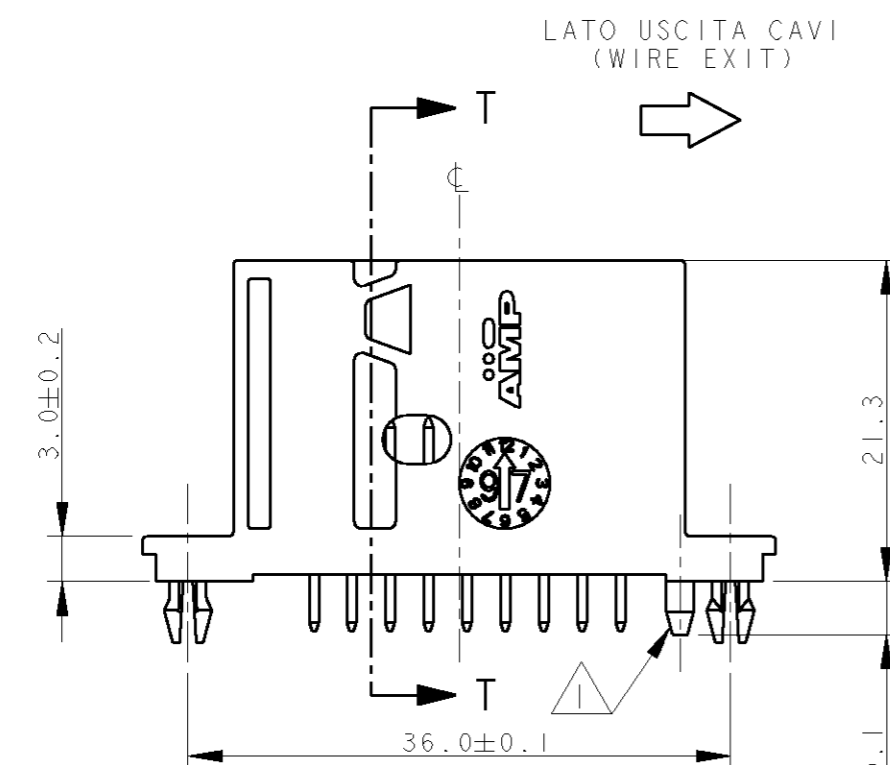
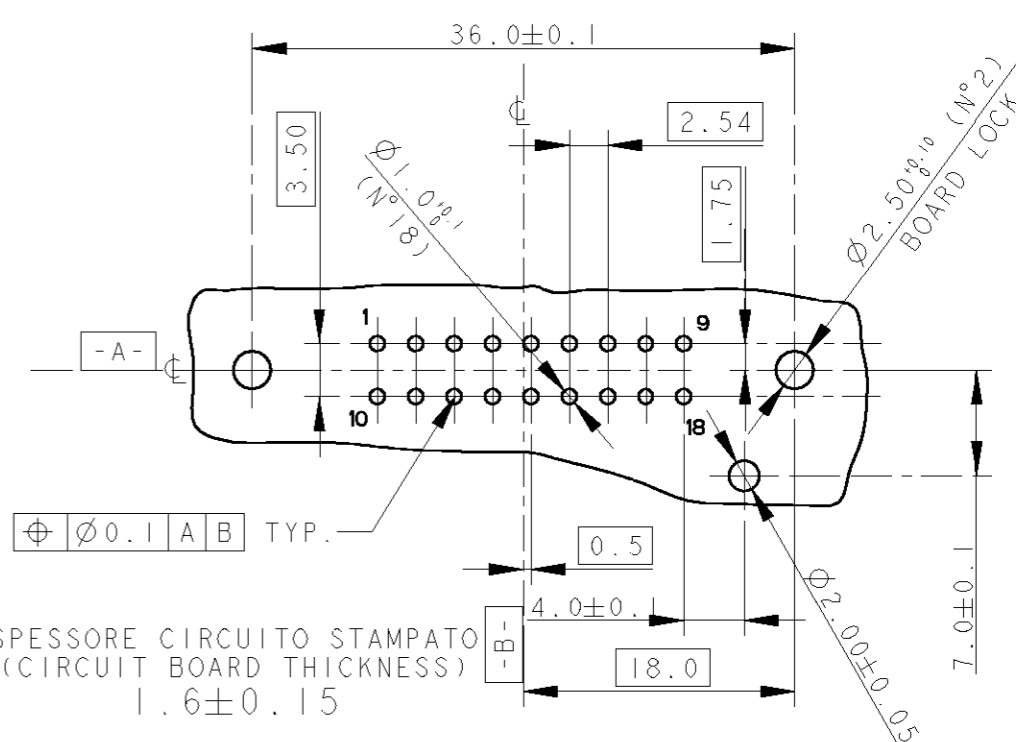
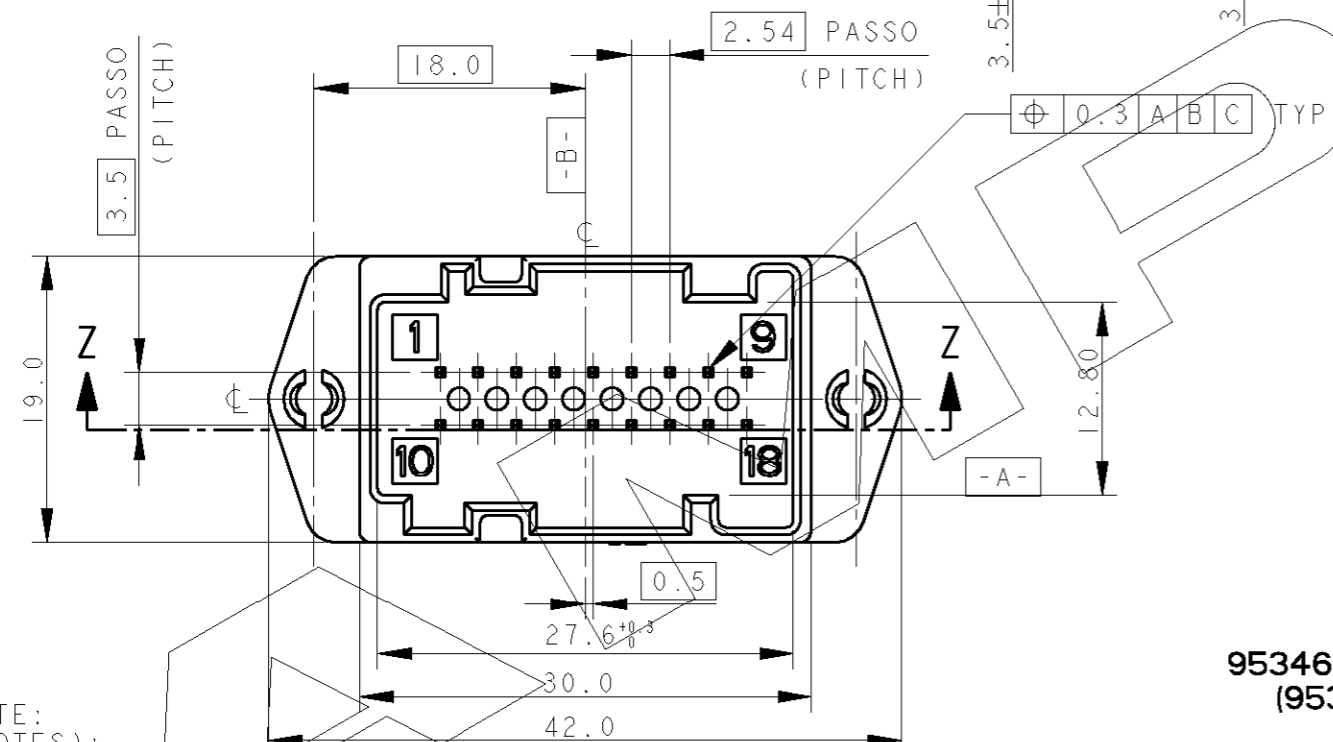


THIS DRAWING IS UNPUBLISHED. QUESTO DISEGNO NON DEVE ESSERE DIVULGATO O RIPRODOTTO. RELEASED FOR PUBLICATION E' CONSENTITA LA DIVULGAZIONE. .19
 © COPYRIGHT 19 BY AMP INCORPORATED. ALL RIGHTS RESERVED. TUTTI I DIRITTI SONO RISERVATI

LOC	DIST	P	LTR REV	REVISIONS REVISIONI	DESCRIPTION DESCRIZIONE	DATE DATA	DWN DIS.	APVD APP.
1	-			A	PRIMA EMISSIONE CON BOARD LOCK SOLO (FIRST ISSUE WITH BOARD LOCK ONLY) ERA: 97-51375, (WAS: 97-51375)	26-5-98	J.L.	
				B	42.0 WAS 41.0	28-9-98	A.D	
				C	CHANGE BOARD-LOCK DIMENSIONS	08-3-99	JLQ	
				D	REMOVE PN MARKING	29-9-99	JLQ	
				E	ADD NEW CODING	29-5-00	EM	



SCHEMA FORATURA (P.C.B. LAYOUT)
 LATO MONTAGGIO HEADER (HEADER MOUNTING SIDE)



953466-1 COME MOSTRATO (953466-1 AS SHOWN)

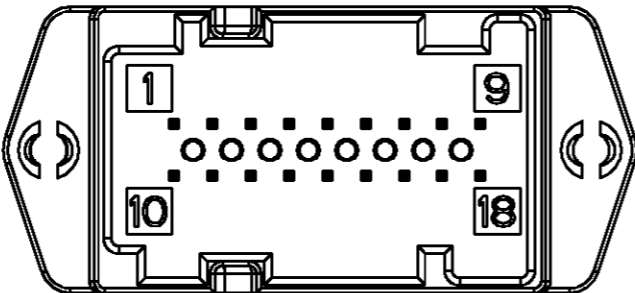
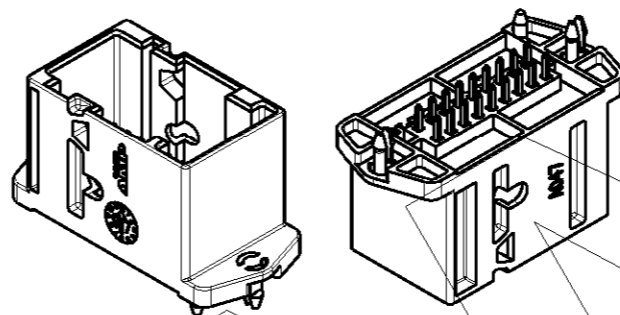
NOTE: (NOTES):

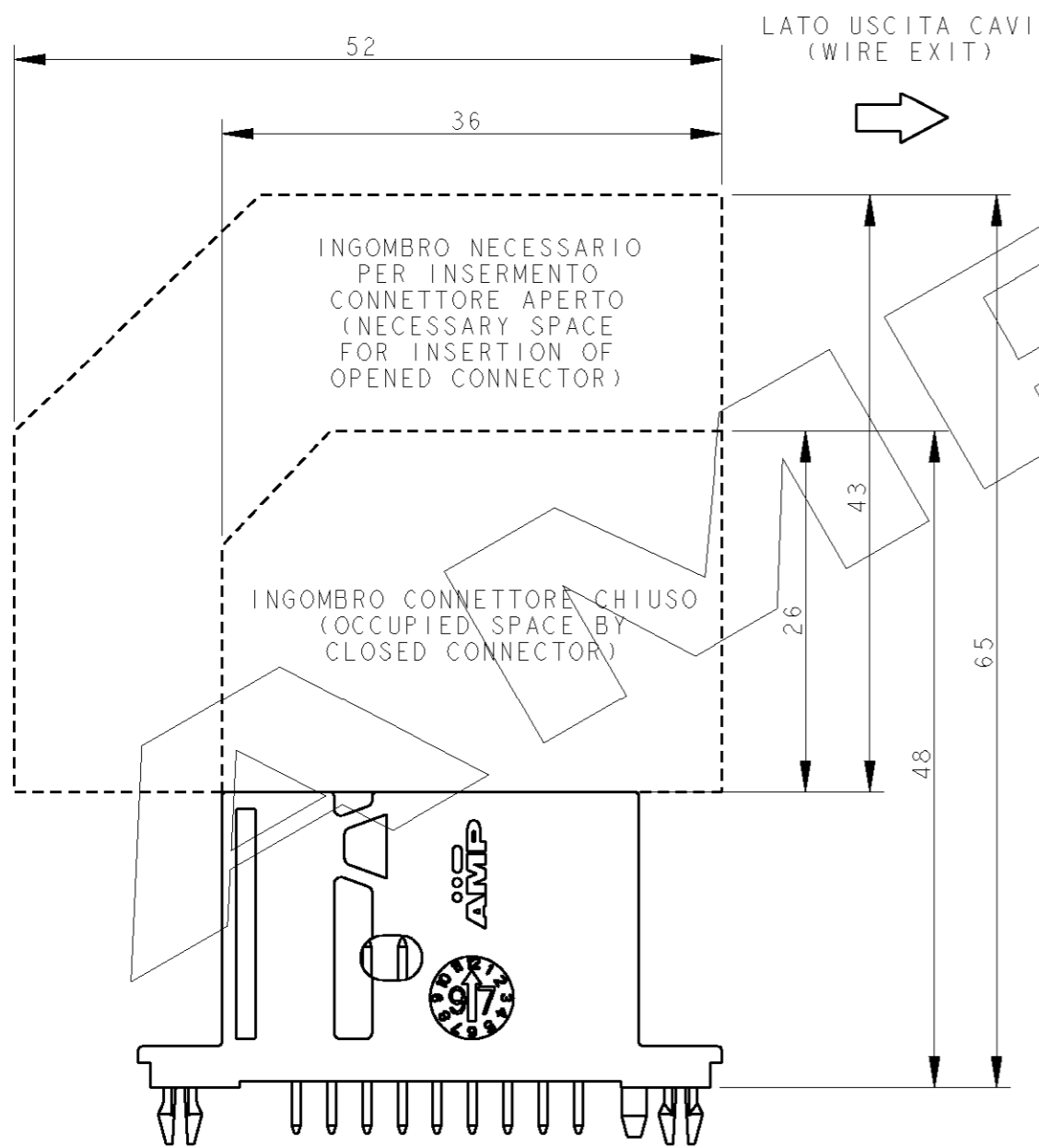
- 1) PERNO DI POLARIZZAZIONE (CODING PIN)
- 2) DAL PIN 1 AL 9: CONNETTORE IDC
 DAL PIN 10 AL 18: CONNETTORE CRIMP
 (FROM PIN 1 TO 9: IDC CONNECTOR)
 (FROM PIN 10 TO 18: CRIMP CONNECTOR)
- 3) FORZA DI RITENZIONE BOARD LOCK SU CIRCUITO STAMPATO : 20 N MIN.
 (RETENTION FORCE OF BOARD LOCK SYSTEM ON PRINTED CIRCUIT : 20 N MIN.)

THIS DRAWING IS A CONTROLLED DOCUMENT FOR AMP INCORPORATED. IT IS SUBJECT TO CHANGE AND THE CONTROLLING ENGINEERING ORGANIZATION SHOULD BE CONTACTED FOR THE LATEST REVISION. QUESTO DISEGNO E' UN DOCUMENTO DI PROPRIETA' E RESPONSABILITA' DELL'AMP INCORPORATED. E' SOGGETTO A VARIAZIONI. PER OTTENERE L'ULTIMA REVISIONE DEL DISEGNO CONTATTARE L'UFFICIO TECNICO RESPONSABILE.		DWN /DIS. 30 SEPT. 97 O. CANUTO CHK /CONT. 30 SEPT. 97 A. BRUNI APVD /APP. 17 JUNE 98 JJ REV II		AMP AMP DE FRANCE 95301 PONTOISE	
DIMENSIONS: DIMENSIONI: mm TOLERANCES UNLESS OTHERWISE SPECIFIED: TOLLERANZE: SE NON DIVERSAMENTE SPECIFICATO 0 PLC /DEC ±0.3 1 PLC /DEC ±0.3 2 PLC /DEC ±0.3 3 PLC /DEC ± 4 PLC /DEC ± ANGLES /ANGOLI ±2		PRODUCT SPEC SPEC DI PRODOTTO 108-15210 APPLICATION SPEC SPEC DI APPLICAZIONE		NAME: 18 POS. MOS HEADER SIZE: A3 CAGE CODE: 00779 DRAWING NO: C=953466 NUMERO:	
MATERIAL: SEE SHEET 2 FINISH: FINITURA: SEE SHEET 2		WEIGHT: 5.5 g PESO:		RESTRICTED TO:	
CUSTOMER DRAWING		DISEGNO PER CLIENTE SOLO PER RIFERIMENTO		SCALE: 2:1 SHEET: FOGLIO 1 OF 3 REV: E	

THIS DRAWING IS UNPUBLISHED. QUESTO DISEGNO NON DEVE ESSERE DIVULGATO O RIPRODOTTO.
 RELEASED FOR PUBLICATION. E' CONSENTITA LA DIVULGAZIONE.
 BY AMP INCORPORATED. ALL RIGHTS RESERVED. TUTTI I DIRITTI SONO RISERVATI.

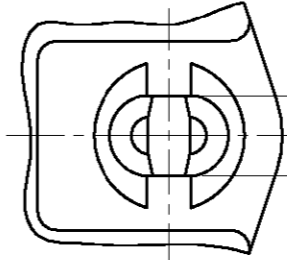
LOC	DIST	P	LTR REV	REVISIONS REVISIONI	DATE DATA	DWN DIS.	APVD APP.
1	-	-	-	DESCRIPTION DESCRIZIONE	-	-	-
				SEE SHEET 1			

P/N	MATERIALE (MATERIAL)	RAPPRESENTAZIONE GRAFICA DELLE POLARIZZAZIONI (CODING KEY DETAIL)	RAPPRESENTAZIONE 3D (3D VIEW)	CONNESSIONE (CONNECTION)	CONTROPARTE CORAZZA (COUNTERPART SHELL)
953466-1	PBT+C.V. COL. NERO (PBT+G.F. COL. BLACK) TAB IN BRONZO STAGNATO (TAB:BRONZE TIN PLATED)			STRUMENTI DI BORDO (ON BOARD INSTRUMENTS) RLANCETTA COMANDI (AUXILIARY CONTROL BOX)	284136-1 284136-2

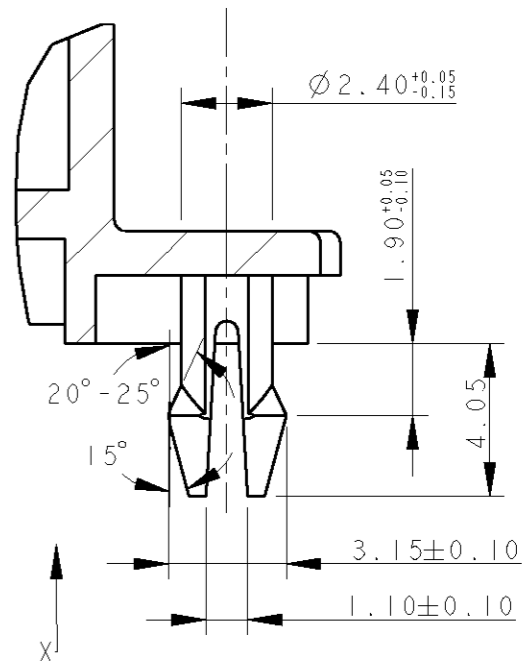


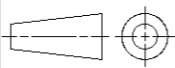
DETTAGLI DEL SISTEMA "BOARD LOCK" (DETAILS OF BOARD LOCK SYSTEM)

VISTA DA X (VIEW FROM X)
SCALE 5:1



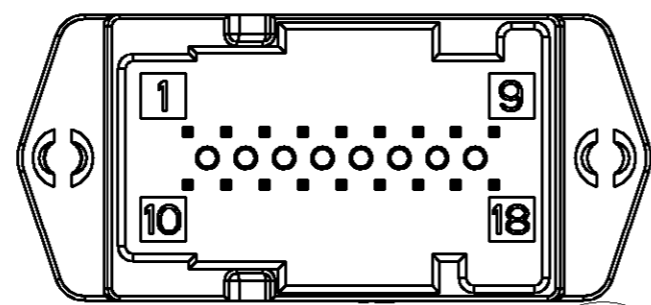
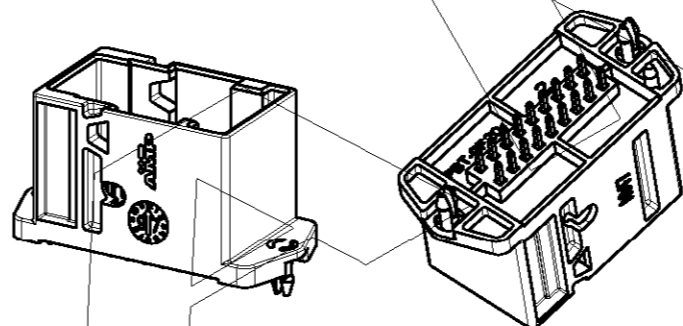
SECTION Z-Z
SCALE 5:1



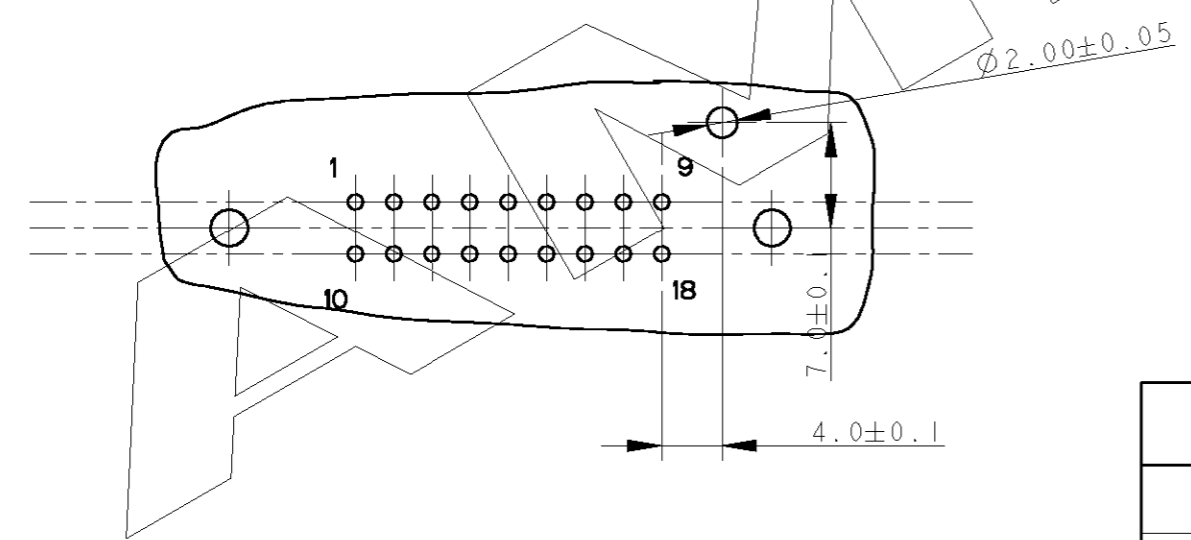
THIS DRAWING IS A CONTROLLED DOCUMENT FOR AMP INCORPORATED. IT IS SUBJECT TO CHANGE AND THE CONTROLLING ENGINEERING ORGANIZATION SHOULD BE CONTACTED FOR THE LATEST REVISION. QUESTO DISEGNO E' UN DOCUMENTO DI PROPRIETA' E RESPONSABILITA' DELL'AMP INCORPORATED. E' SOGGETTO A VARIAZIONI. PER OTTENERE L'ULTIMA REVISIONE DEL DISEGNO CONTATTARE L'UFFICIO TECNICO RESPONSABILE.		DWN /DIS. 30 SEPT. 97 O. CANUTO CHK /CONT. 30 SEPT. 97 A. BRUNI APVD /APP. 17 JUNE 98 JJ REV II	AMP AMP DE FRANCE 95301 PONTOISE
DIMENSIONS: DIMENSIONI: mm 	TOLERANCES UNLESS OTHERWISE SPECIFIED: TOLLERANZE: SE NON DIVERSAMENTE SPECIFICATO 0 PLC /DEC ±0.3 1 PLC /DEC ±0.3 2 PLC /DEC ±0.3 3 PLC /DEC ± 4 PLC /DEC ± ANGLES /ANGOLI ±2	PRODUCT SPEC SPEC DI PRODOTTO APPLICATION SPEC SPEC DI APPLICAZIONE WEIGHT PESO CUSTOMER DRAWING DISEGNO PER CLIENTE SOLO PER RIFERIMENTO	NAME NOME 18 POS. MOS HEADER SIZE CAGE CODE DRAWING NO NUMERO A3 00779 C-953466 RESTRICTED TO
MATERIAL MATERIALE	FINISH FINITURA	SCALE SCALA 2:1	SHEET FOGLIO 2 OF DI 3 REV E

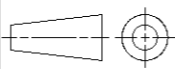
THIS DRAWING IS UNPUBLISHED. RELEASED FOR PUBLICATION .19
 © COPYRIGHT 19 BY AMP INCORPORATED. ALL RIGHTS RESERVED.

LOC	DIST	REVISIONS			
P	LTR	DESCRIPTION	DATE	DWN	APVD
	-	SEE SHEET 1	-	-	-

P/N	MATERIALE (MATERIAL)	RAPPRESENTAZIONE GRAFICA DELLE POLARIZZAZIONI (CODING KEY DETAIL)	RAPPRESENTAZIONE 3D (3D VIEW)	CONNESSIONE (CONNECTION)	CONTROPARTE CORAZZA (COUNTERPART SHELL)
953466-2	PBT+C V COL. GRIGO (PBT+G F. COL GREY) TAB IN BRONZO STAGNATO TAB: BRONZE TIN PLATED			PLACETTA COMANDI (AUXILIARY CONTROL BOX)	284136-2 (IDC/CRIMP) OR 284160-2 (ALL CRIMP)

SCHEMA FORATURA (PCB LAYOUT)
 LATO MONTAGGIO HEADER (HEADER MOUNTING SIDE)
 DIMENSIONS FOR CODING



<small>THIS DRAWING IS A CONTROLLED DOCUMENT FOR AMP INCORPORATED. IT IS SUBJECT TO CHANGE AND THE CONTROLLING ENGINEERING ORGANIZATION SHOULD BE CONTACTED FOR THE LATEST REVISION.</small>		DWN E MINY 29 MAY 00 CHK J. LAQUERBE 29 MAY 00 APVD JJ REV II 25 MAY 00	AMP AMP DE FRANCE 95301 PONTOISE
DIMENSIONS: mm 	TOLERANCES UNLESS OTHERWISE SPECIFIED: 0 PLC ±0.3 1 PLC ±0.3 2 PLC ±0.3 3 PLC ± 4 PLC ± ANGLES ±2	PRODUCT SPEC - APPLICATION SPEC - WEIGHT -	NAME 18 POS. MOS HEADER SIZE A3 CAGE CODE 00779 DRAWING NO C=953466 RESTRICTED TO -
MATERIAL -	FINISH -	CUSTOMER DRAWING	SCALE 2:1 SHEET 3 OF 3 REV E