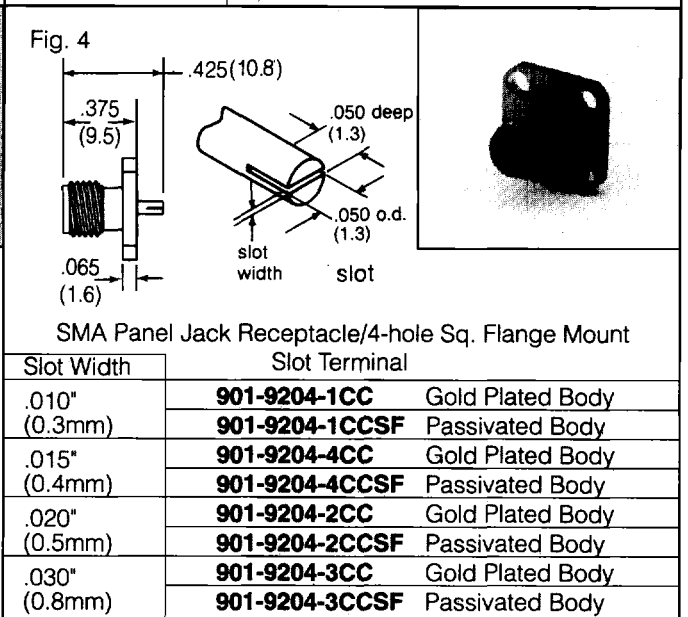
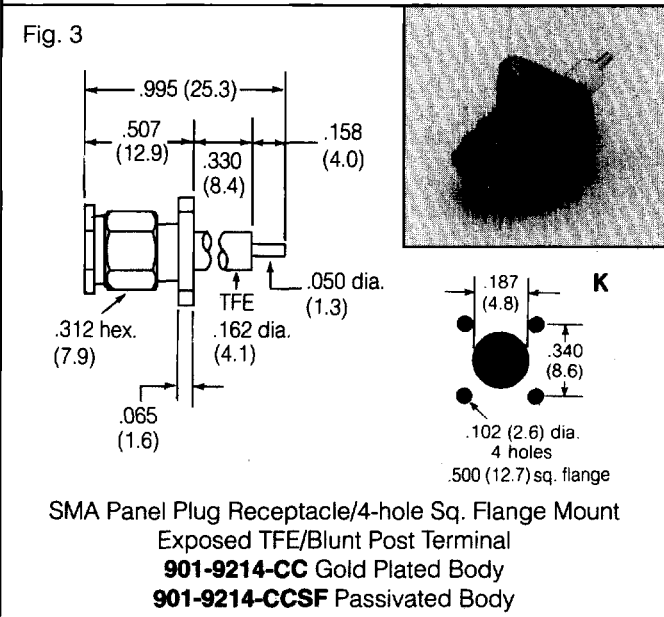
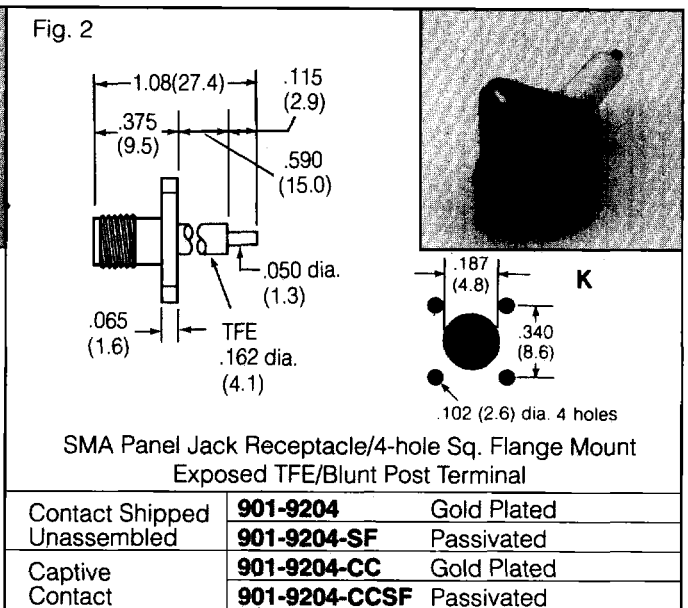
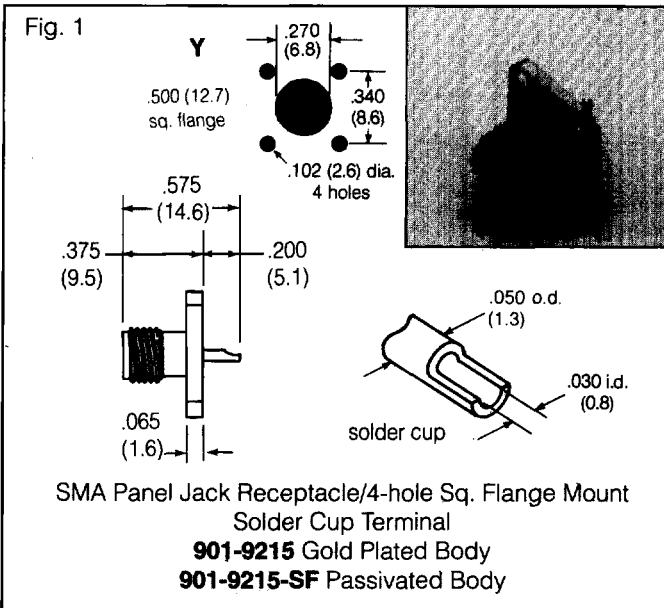


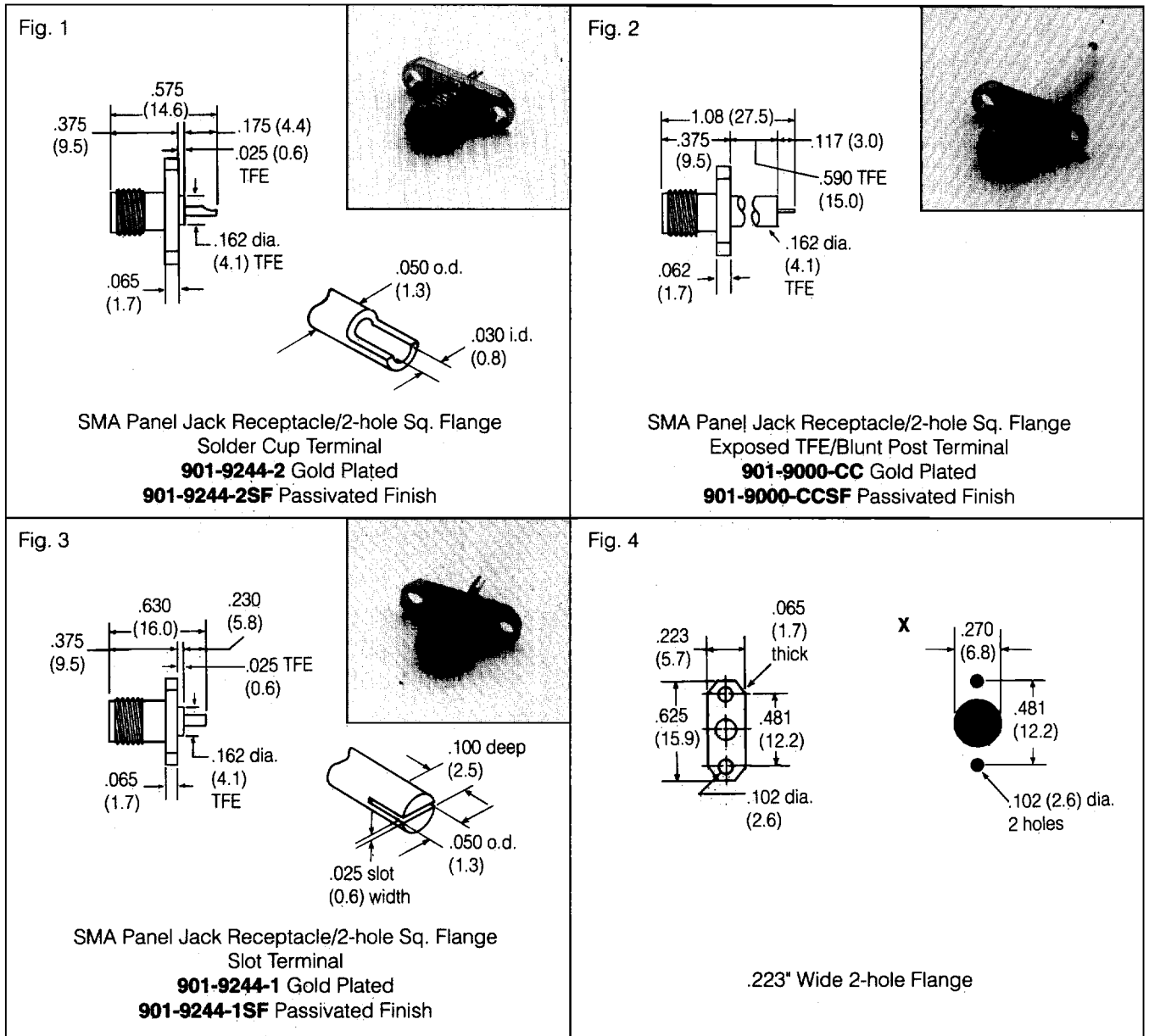
SMA panel receptacles - square 4-hole flange



SMA PANEL RECEPTACLES • 4-hole square flange mount

Description	Terminal Type	Pt.	Ins	MTG. Hole	Construction Notes	Amphenol Number	Fig.
Panel Jack Receptacle	Solder Cup	P18	D1	Y	Captive Contact	Gold Plated Body	1
		P23				Passivated Body	
Panel Jack Receptacle	Blunt Post	P18	D1	K	Contact Shipped Unassembled .590*(15.0mm) Exposed TFE	Gold Plated Body	2
		P23				Passivated Body	
Panel Jack Receptacle	Blunt Post	P17	D1	K	Captive Contact/ .590*(15.0mm) Exposed TFE	Gold Plated Body	2
						P30	
Panel Plug Receptacle	Blunt Post	P17	D1	K	Captive Contact/ .330*(8.4mm) Exposed TFE	Gold Plated Body	3
						P30	
Panel Jack Receptacle	Slot .010*(0.3mm) wide	P17	D1	K	Captive Contact	Gold Plated Body	4
						P30	
Panel Jack Receptacle	Slot .015*(0.4mm) wide	P17	D1	K	Captive Contact	Gold Plated Body	4
						P30	
Panel Jack Receptacle	Slot .020*(0.5mm) wide	P17	D1	K	Captive Contact	Gold Plated Body	4
						P30	
Panel Jack Receptacle	Slot .030*(0.8mm) wide	P17	D1	K	Captive Contact	Gold Plated Body	4
						P30	

SMA panel receptacles - trimline 2-hole flange



SMA PANEL RECEPTACLES • 2-hole square flange

Description	Terminal Type	Pit.	Ins	MTG. Hole	Construction Notes		Amphenol Number	Fig.
Panel Jack Receptacle	Solder Cup	P18	D1	X	Captive Contact/ .025" (0.6 mm) Exposed TFE	Gold Plated	901-9244-2	1
		P23				Passivated	901-9244-2SF	
Panel Jack Receptacle	Blunt Post	P18	D1	X	Captive Contact/ .590" (15.0 mm) Exposed TFE	Gold Plated	901-9000-CC	2
		P23				Passivated	901-9000-CCSF	
Panel Jack Receptacle	Slot .025" (0.6 mm) wide	P17	D1	X	Contact Shipped Unassembled/ .025" (0.6 mm) Exposed TFE	Gold Plated	901-9244-1	3
						Passivated	901-9244-1SF	