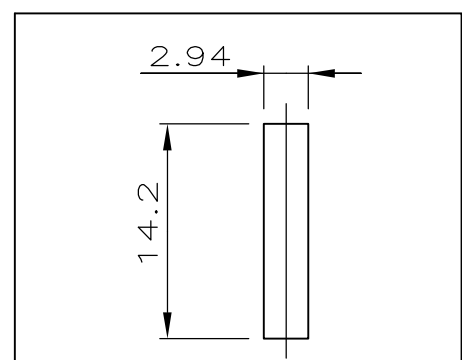


THIS DRAWING IS UNPUBLISHED. RELEASED FOR PUBLICATION  
 © COPYRIGHT 2009 BY TYCO ELECTRONICS CORPORATION. ALL INTERNATIONAL RIGHTS RESERVED.

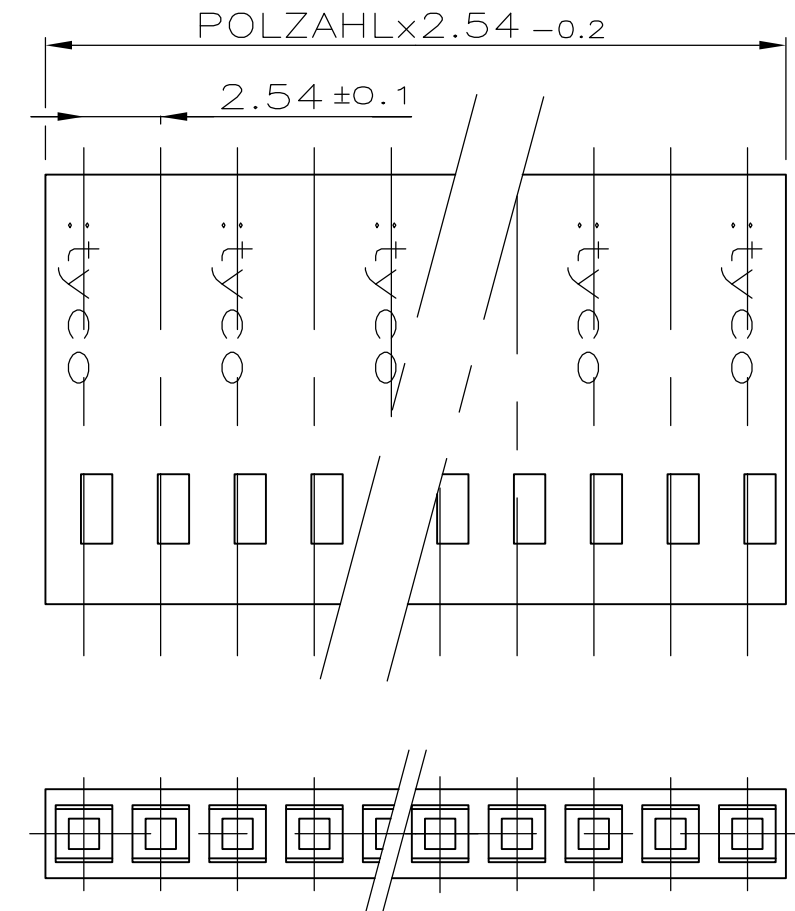
LOC	DIST	REVISIONS					
		P	LTR	DESCRIPTION	DATE	DWN	APVD
A1			W2	Released as per ECR-09-017573	10.Aug.09	SRE	PCH

GEGENSTECKER/KONTAKT:    
 MATED WITH: 826 629 167 301-4



EINREIHIG

POLZ.	L-0.2	BESTELL-NR.
-	-	-
2	5.08	925 366 -2
3	7.62	-3
4	10.16	-4
5	12.70	-5
6	15.24	-6
7	17.78	-7
8	20.32	-8
9	22.86	-9
10	25.40	1-
11	27.94	1-
12	30.48	1-
13	33.02	1-
14	35.56	1-
15	38.10	1-
16	40.64	1-
17	43.18	1-
18	45.72	1-
19	48.26	1-
20	50.80	2-
21	53.34	2-
22	55.88	2-
23	58.42	2-
24	60.96	2-
25	63.50	2-
26	66.04	2-
27	68.58	2-
28	71.12	2-
29	73.66	2-
30	76.20	3-
31	78.74	3-
32	81.28	3-
33	83.82	3-
34	86.36	3-
35	88.90	3-
36	91.44	3-
37	93.98	3-
38	96.52	3-
39	99.06	3-
40	101.60	4-
41	104.14	4-
42	106.68	4-
43	109.22	4-
44	111.76	4-
45	114.30	4-
46	116.84	4-
47	119.38	4-
48	121.92	4-
49	124.46	4-
50	127.00	5- 925 366 -0



Drawing valid from CW 32/95  
 ZEICHNUNG GÜLTIG AB KW 32/95

THIS DRAWING IS A CONTROLLED DOCUMENT.		DWN DAHLHEIMER 05.12.75	Tyco Electronics AMP GmbH Langen b.F fm, Germany	
DIMENSIONS: mm		CHK KREPP	NAME AMPMODU IV GEHÄUSE, EINREIHIG Housing, single row	
TOLERANCES UNLESS OTHERWISE SPECIFIED:		APVD	PRODUCT SPEC	
0 PLC ± 0.2mm		APPLICATION SPEC		
1 PLC ± 0.2mm		SIZE A3		
2 PLC ± 0.2mm		CAGE CODE 00779		
3 PLC ± 0.2mm		DRAWING NO C-925366		
4 PLC ± 0.2mm		RESTRICTED TO		
ANGLES ±		WEIGHT -		
MATERIAL Polyamid	FINISH Green RAL 6011	CUSTOMER DRAWING		
		SCALE 4:1		SHEET 1 OF 1
		REV W2		