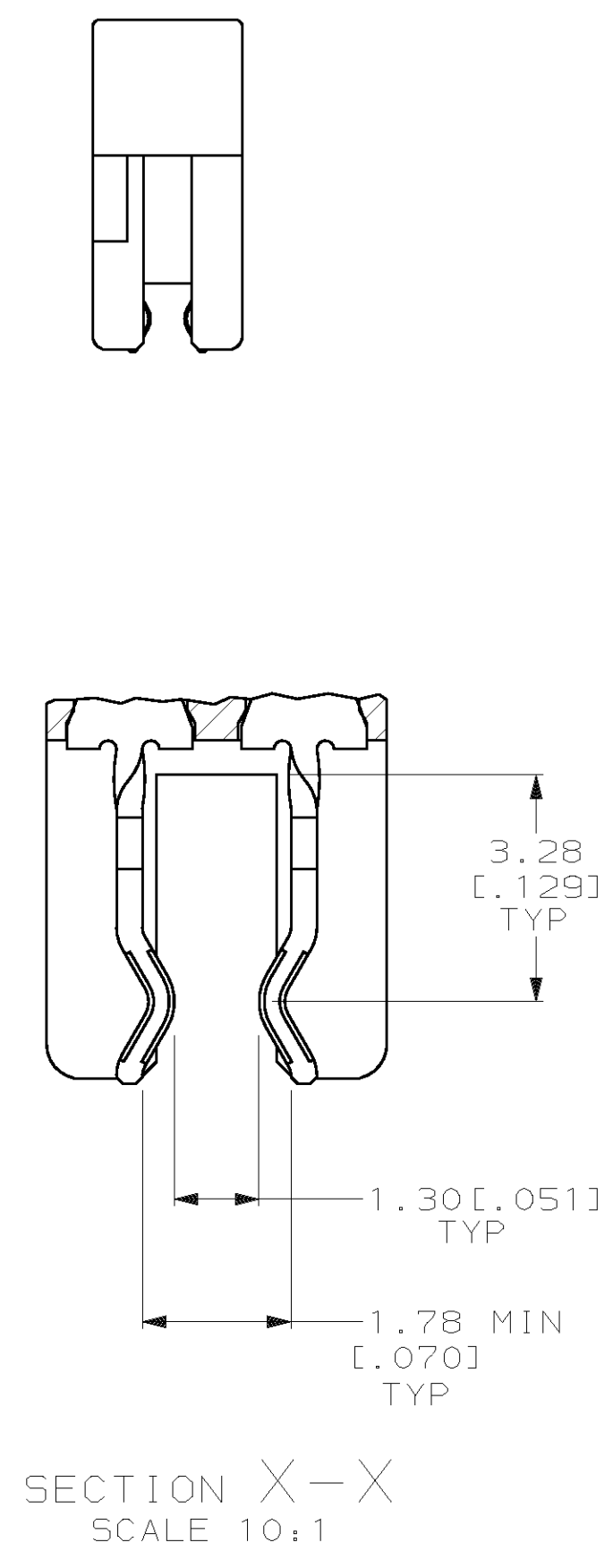
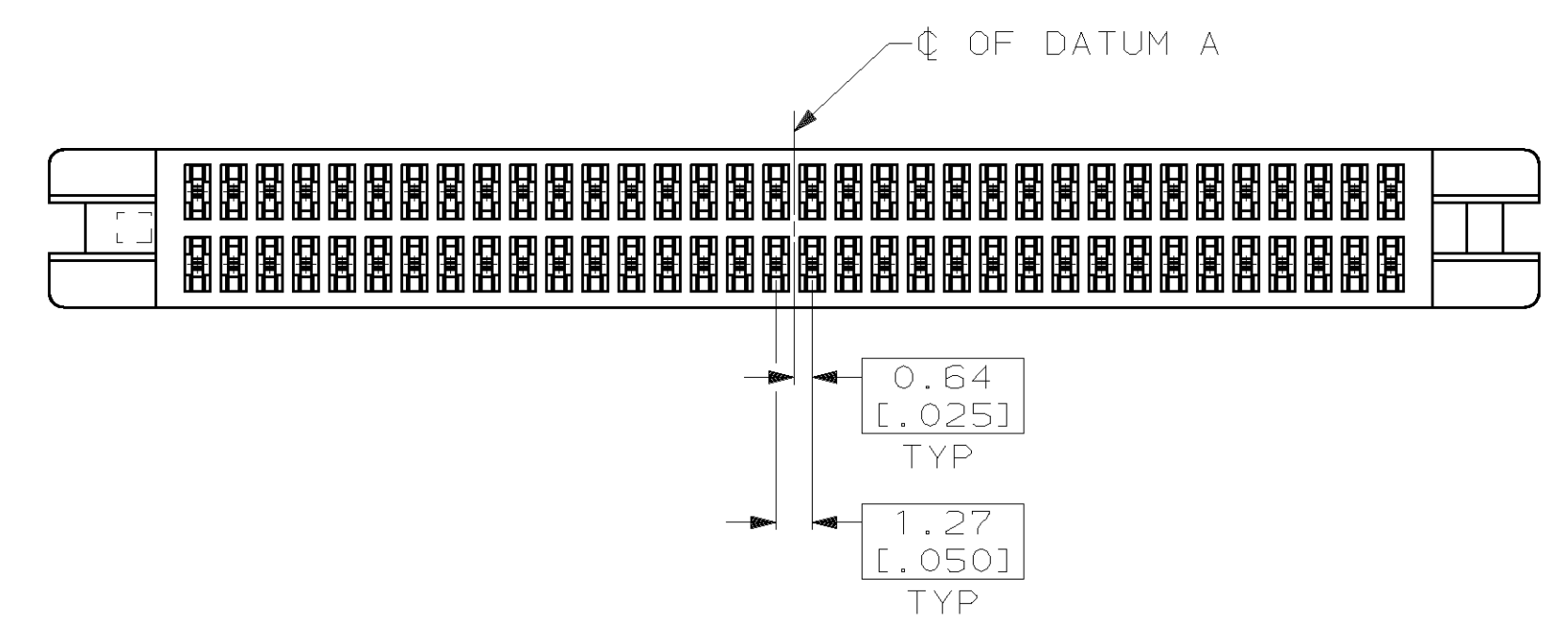
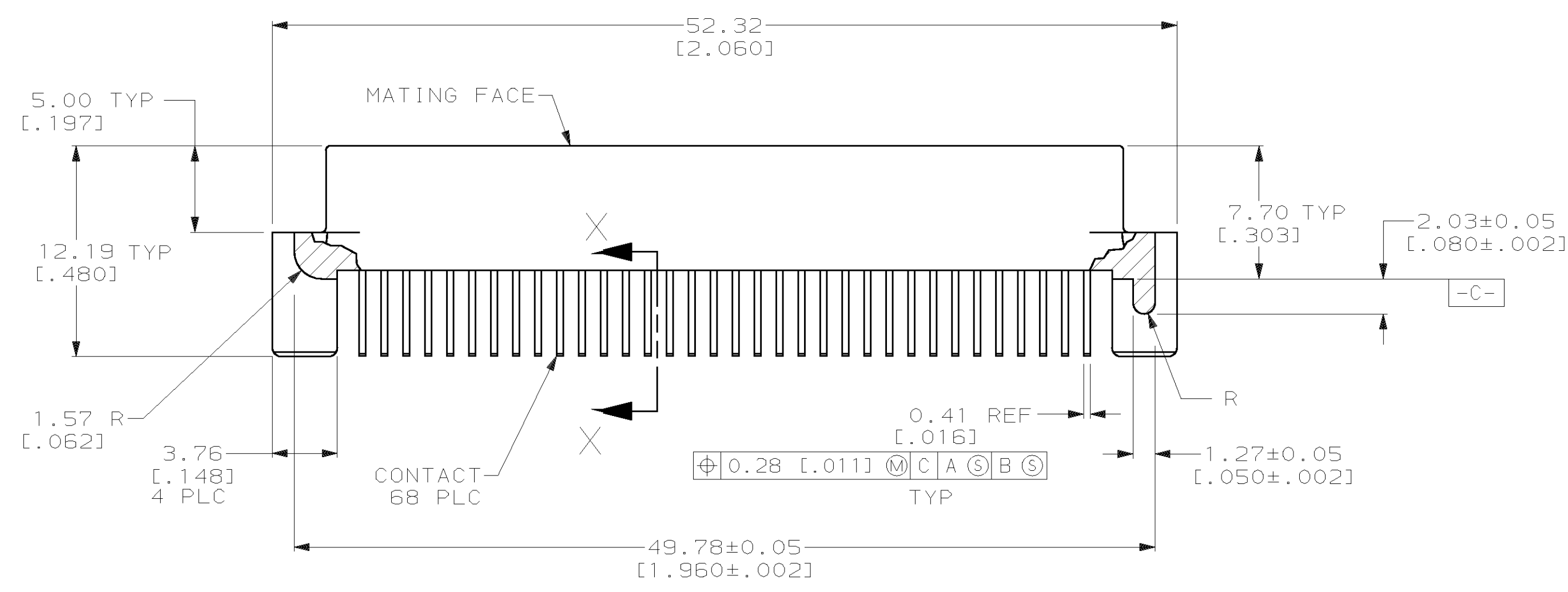
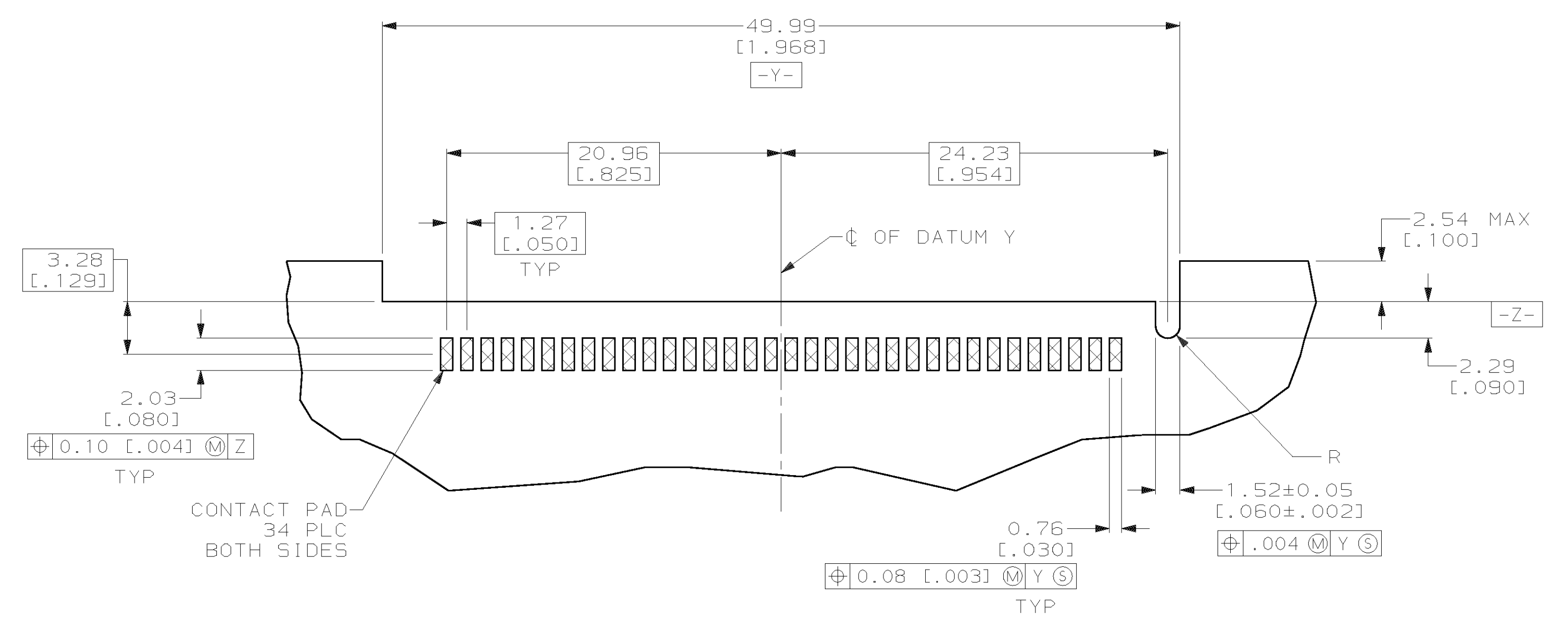
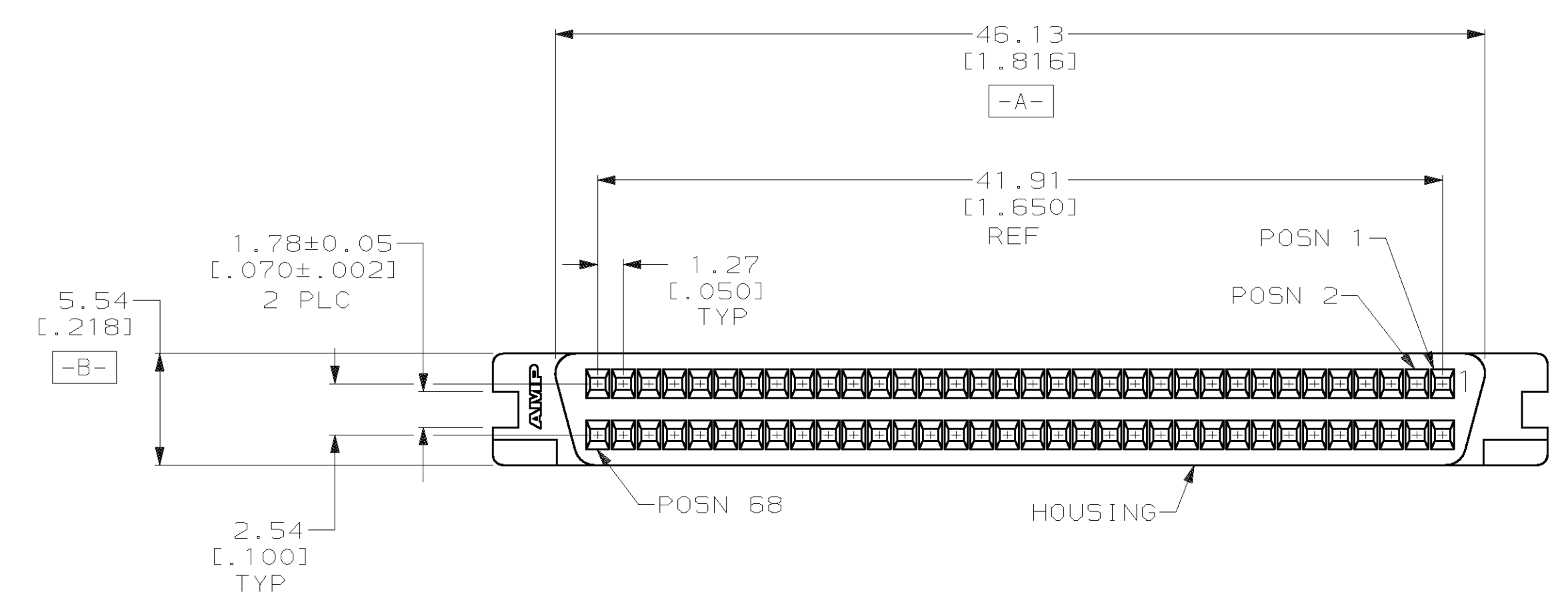


LOC		DIST		P		F		ZONE		LTR		REVISIONS			
BD	62											DESCRIPTION	DATE	APPD	
												O	RLSE PER NPR 5073, WAS 93-1158-1	3-24-94	PR
												A	REV PER EC 0020-1097-94	10/03/94	PR
												B	RLSE -2 PER EC 0020-1341-95	28 NOV 95	PR
												C	REV PER 0520-0288-02	17MAY02	TS/RF



- 1 POLYESTER, UL 94V-0 RATED, BLACK.
- 2 GLASS-FILLED LCP, UL 94V-0 RATED, BLACK.
- 3 PHOSPHOR BRONZE.
- 4 0.76µm [.000030] MIN GOLD FOR A LENGTH OF 0.64 [.025] MIN, 0.13 [.005] MAX FROM MATING END, 3.81µm [.000150] MIN TIN-LEAD FOR A LENGTH OF 4.50 [.177] MIN FROM OPPOSITE END, BOTH OVER 1.27µm [.000050] MIN NICKEL.

1	2	869848-2
		869848-1
HOUSING MATERIAL		PART NUMBER

DO NOT SCALE PRINT. UNLESS SPECIFIED DIMENSIONS IN mm [INCHES] TOLERANCES ON:		DR 3-24-94 D.BROCKWAY		AMP Incorporated Harrisburg, PA 17105-3608	
2 PLC DEC ± 0.13 [.005]		CHK 3-25-94 R.STONE			
3 PLC DEC ± -		APPD 3-29-94 P.RUELIUS		NAME	
ANGLES ± -		APPD 3-29-94 J.McLAUGHLIN		RECEPTACLE ASSEMBLY, 68 POSITION, STRADDLE MOUNT, W/POLARIZATION, .050 SERIES, AMPLIMITE™	
MATERIAL HOUSING: SEE TABLE		PRODUCT SPEC -		SIZE	
CONTACT: 3		APPLICATION SPEC -		D 00779	
FINISH CONTACT: 4		WEIGHT -		DRAWING NO 869848	
				SCALE 4:1	
				SHEET 1 OF 1	