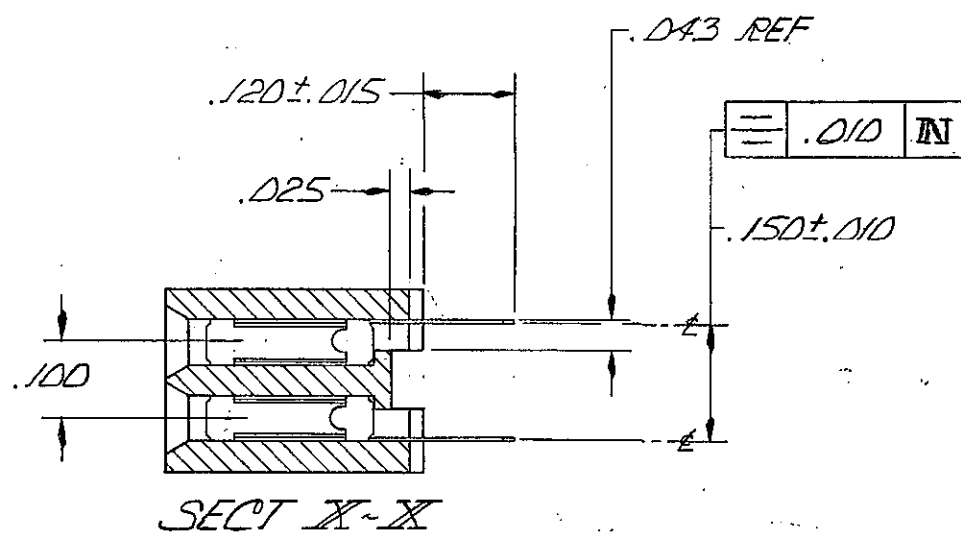
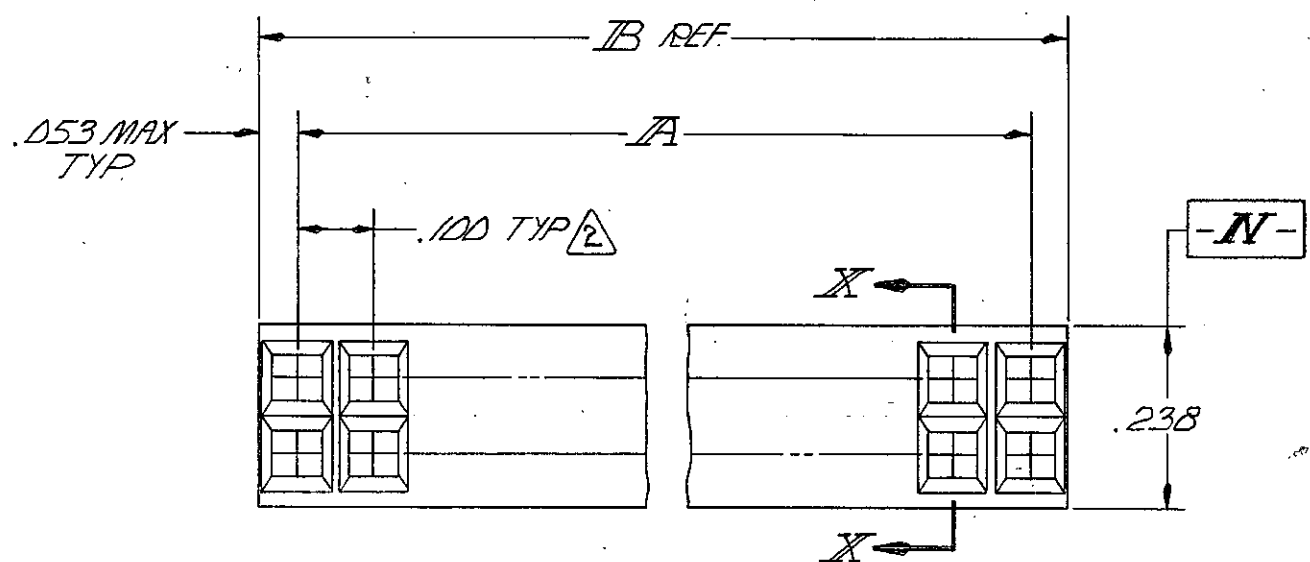
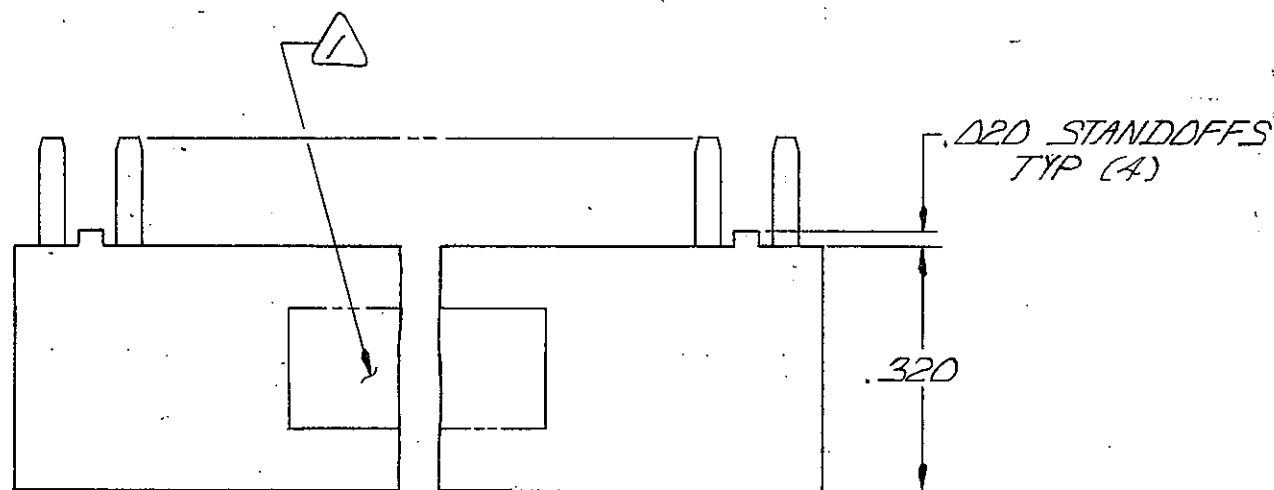


© COPYRIGHT 19 BY AMP INCORPORATED, HARRISBURG, PA. ALL INTERNATIONAL RIGHTS RESERVED. AMP INCORPORATED PRODUCTS COVERED BY U. S. AND FOREIGN PATENTS AND/OR PATENTS PENDING.

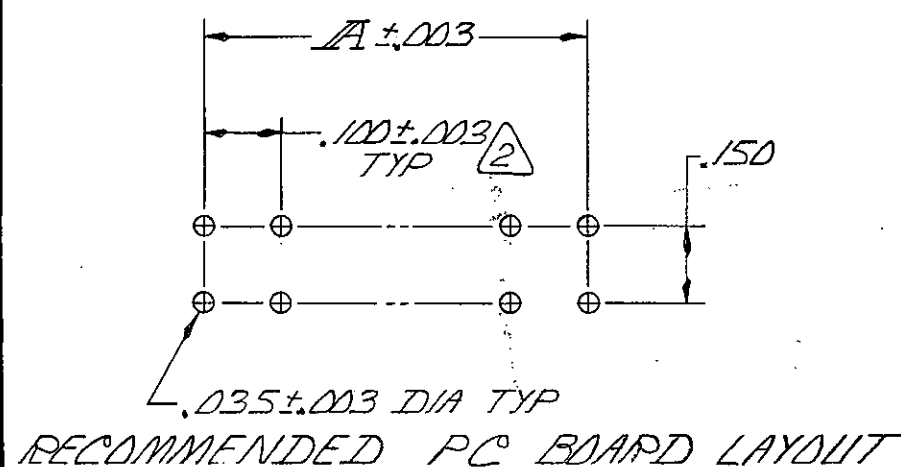
REVISIONS						
P	F	ZONE	LTR	DESCRIPTION	DATE	APPROVED
			B6	REDDRAWN W/O CHANGE ECN 3374		
			B7	REV - ECN 4310	6/11/94	JCH
✓		B8		ADDED 2--0 8605 m.s.	8-11-83	gpd
✓		B9		REV PER ECN AB-0548	ab 11-09-84	HJR
✓		B10		ECN AB-0807-0731	RDB 4-11-85	PMR
✓		B11		ADD 2-2 THRU 2-9; ECN AB-0920	db 6-24-85	PMR
✓		C		ECN AD-2067	m.s. 1-11-88	
✓		D		ECN AD 2637	TH 6/18/88	
✓		E		ECN AD-3060	KIH 2-90	
✓		F		REV PER 0010-1210-93	RAC 9-93	JJA
✓		G		REV PER 0010-1405-93	TT 11-19-93	GD
✓		H		REV PER 0010-1390-93	JK 11-19-94	CS
✓		J		REV PER 0010-1604-94	RS 5/26/95	CS
✓		K		EC 0010-1651-95 LB	9/16/96	
✓		L		EC 0010-0720-96	2-6-97	
✓		M		EC 0503-0438-96	5-6-97	



1 "AMP," "CSA," DATE CODE, AND PART NUMBER MARKED WITH .062 ± .015 HIGH CHARACTERS IN WHITE. THE ORDER AND LOCATION IS OPTIONAL.

2 TOLERANCE NON-CUMULATIVE

OBS.	3.200	3.100	64	2-86418-9
	3.100	3.000	62	2- - -8
	2.900	2.800	58	2- - -7
	2.800	2.700	56	2- - -6
	2.300	2.200	46	2- - -5
	1.800	1.700	36	2- - -4
OBS.	1.100	1.000	22	2- - -3
OBS.	.900	.800	18	2- - -2
SUPERCEDED BY 2-534236-7				
OBS.	1.600	1.500	32	2-86418-0
OBS.	.700	.600	14	1-86418-9
	1.700	1.600	34	1- - -8
OBS.	1.300	1.200	26	1- - -7
OBS.	1.200	1.100	24	1- - -6
SUPERCEDED BY 2-534236-2				
OBS.	2.100	2.000	42	1- - -5
OBS.	2.600	2.500	52	1- - -4
SUPERCEDED BY 534206-6				
OBS.	.600	.500	12	1- - -3
	2.200	2.100	44	1- - -2
	3.000	2.900	60	1- - -1
	1.500	1.400	30	1- - -0
OBS.	.500	.400	10	- - -9
	2.500	2.400	50	- - -8
OBS.	.400	.300	8	- - -7
OBS.	2.400	2.300	48	- - -6
OBS.	.800	.700	16	- - -5
OBS.	1.900	1.800	38	- - -4
OBS.	1.400	1.300	28	- - -3
	2.000	1.900	40	- - -2
	1.000	.900	20	86418-1



UNLESS OTHERWISE SPECIFIED DIMENSIONS ARE IN INCHES. TOLERANCES ON: DECIMALS ± .005 ANGLES ±	CONTRACT NO	<b>AMP</b> AMP INCORPORATED Harrisburg, Pa.
	DR <i>J. J. [Signature]</i> 6-28-91	
MATERIAL HSG - FLAME RETARDANT THERMOPLASTIC, COLOR - BROWN	CHK <i>[Signature]</i> 6-2-81	SIZE CODE IDENT NO DRAWING NO <b>C</b> 00779 86418
MATERIAL HSG - FLAME RETARDANT THERMOPLASTIC, COLOR - BROWN	APPD <i>[Signature]</i> 6-2-81	
CONTACTS - PHOS BRONZE	APPD <i>[Signature]</i> 6/8/81	SCALE 4:1 SHEET
FINISH CONTACTS - GOLD FLASH OVER .00050 NICKEL ENTIRE CONTACT .00030 GOLD IN CONTACT AREA ONLY	DSGN APPD	
	OTHER APPD	