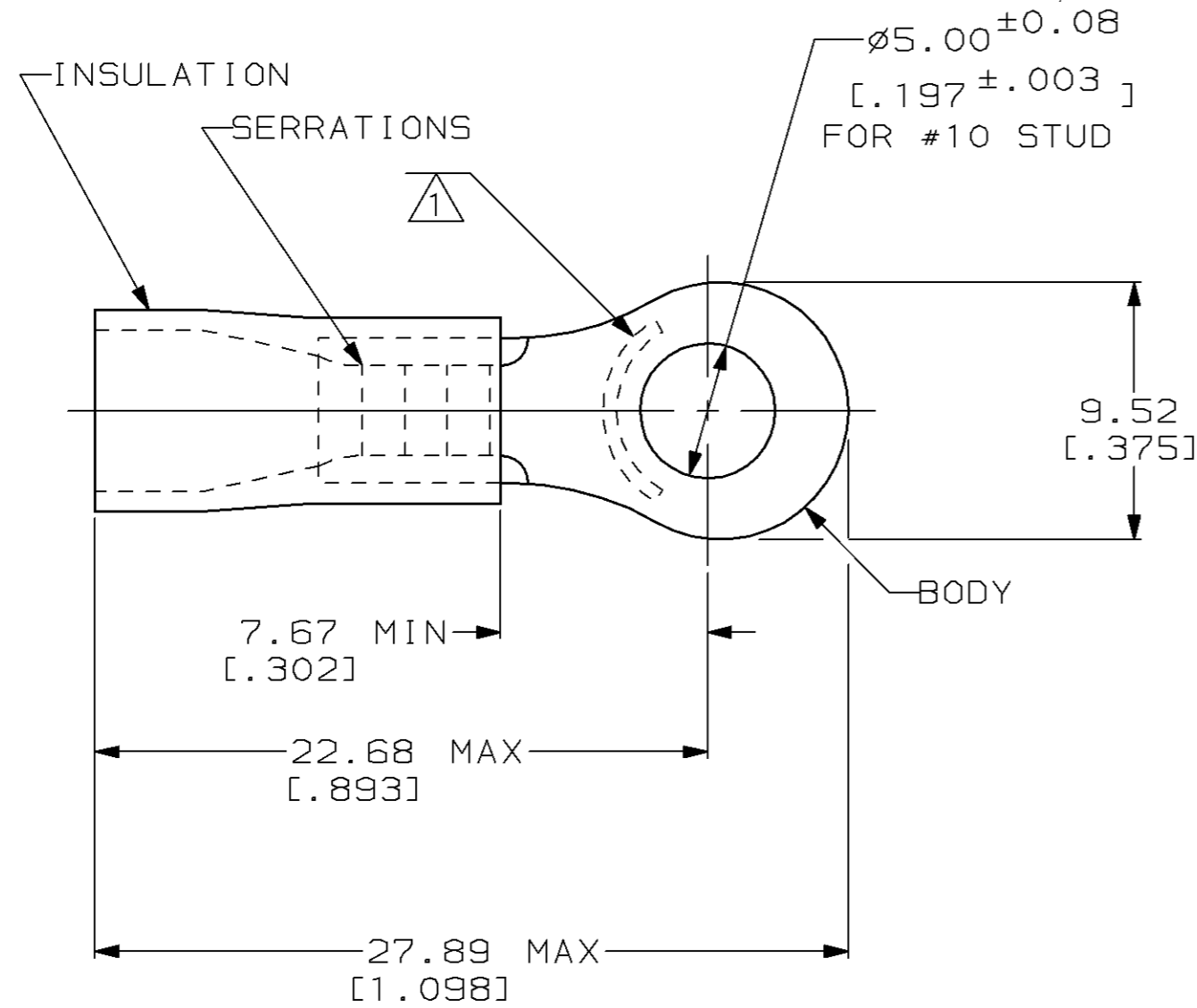


THIS DRAWING IS UNPUBLISHED. RELEASED FOR PUBLICATION, 19
 © COPYRIGHT 19 BY AMP INCORPORATED. ALL INTERNATIONAL RIGHTS RESERVED.

LOC	DIST	P	F	ZONE	LTR	DESCRIPTION	DATE	APPD
G	14				G	REV / 0L20-0197-97	21AUG97	ME SB

AMP WIRE RANGE	Listed	LR7189 Certified
12-10 AWG SOLID OR STRANDED	12-10 AWG SOLID OR STRANDED	12-10 AWG SOLID OR STRANDED



- ① STAMP AMP 12-10* APPROX AS SHOWN
- 2 WIRE INSULATION DIA, .150-.230
- 3 TONGUE MATERIAL THK, 0.99±0.05 [.039±.002]

QUANTITY	PACKAGE TYPE	PART NO
100	LOOSE PC, BOX	8-34170-1
2500	ON TAPE, REEL	2-34170-1
-	LOOSE PIECE	34170

AMP INCORPORATED CUSTOMER SERVICE SYSTEMS		MAX RECOMMENDED OPERATING TEMPERATURE: 90°C MAX	DO NOT SCALE PRINT, UNLESS SPECIFIED DIMENSIONS IN mm [INCHES] TOLERANCES ON: 2 PLC DEC ± 0.20 [.008] 3 PLC DEC ± - ANGLES ± -	DR 08/06/92 OK SCHRUM	AMP AMP Incorporated Harrisburg, PA 17105-3608
				CHK 11/10/92 RE HERSEY	
FOR ADDITIONAL PRODUCT INFORMATION OR COPIES OF DRAWINGS AND TECHNICAL DOCUMENTS	PRODUCT INFORMATION CENTER 1-800-522-6752	VOLTAGE RATING: NOT APPLICABLE	MATERIAL COPPER PER ASTM B-152 PVC COLOR: YELLOW	APPD 11/10/92 ML ELLIS	NAME TERMINAL, RING TONGUE, PLASTI-GRIP™
FOR APPLICATION TOOLING INFORMATION	TOOLING ASSISTANCE CENTER 1-800-722-1111			APPD 11/10/92 M BARNABA	
FOR ORDER ENTRY	1-800-526-5142	CIRCULAR MIL AREA: 2.62-6.64mm² [5,180-13,100]	FINISH TIN PLATE PER ASTM B 545	PRODUCT SPEC 108-1034	SIZE B
THIS DRAWING IS A CONTROLLED DOCUMENT FOR AMP INCORPORATED. IT IS SUBJECT TO CHANGE AND THE CONTROLLING ENGINEERING ORGANIZATION SHOULD BE CONTACTED FOR THE LATEST REVISION.				APPLICATION SPEC NOT AVAILABLE	CAGE CODE 00779
				WEIGHT -	SCALE 4:1
					SHEET 1 OF 1