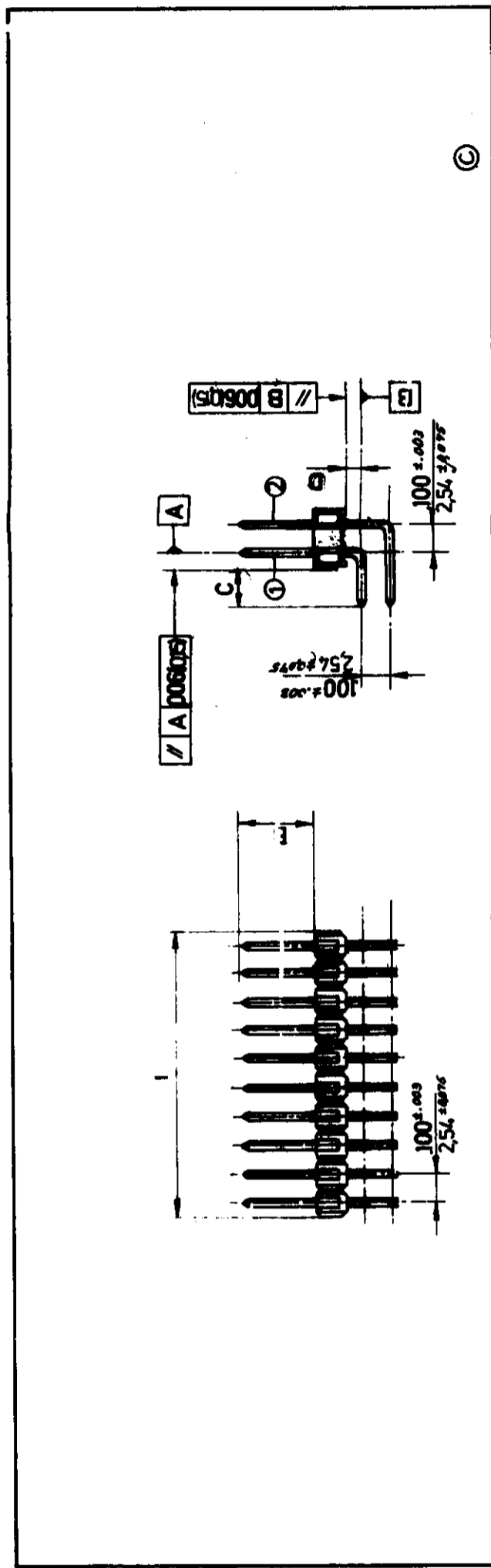


THIS INFORMATION IS CONFIDENTIAL AND IS DISCLOSED TO YOU ON CONDITION THAT NO FURTHER DISCLOSURE IS MADE BY YOU TO OTHER THAN AMP PERSONNEL WITHOUT WRITTEN AUTHORIZATION FROM AMP INCORPORATED, HARRISBURG, PA.

WAS 78-9833



CONTACT-PIN HOUSING 926 207		CuSn	SEL. GOLD PLATED
NAME		PBTP	COLOR: GREEN
AMP MODU II PIN HEADER		MATERIAL	FINISH

PIN N J 1	9-927 949-00	1-926 807-3	6-927 949-1	7-927 949-5	8-927 949-7	1-926 809-4
1	100	254	826 661	826 663	826 664	826 665
2	200	508	-2	-2	-2	-2
3	300	762	-3	-3	-3	-3
4	400	1016	-4	-4	-4	-4
5	500	1270	-5	-5	-5	-5
6	600	1524	-6	-6	-6	-6
7	700	1778	-7	-7	-7	-7
8	800	2032	-8	-8	-8	-8
9	900	2286	-9	-9	-9	-9
10	1000	2540	-0	-0	-0	-0
11	1100	2794	-1	-1	-1	-1
12	1200	3048	-2	-2	-2	-2
13	1300	3302	-3	-3	-3	-3
14	1400	3556	-4	-4	-4	-4
15	1500	3810	-5	-5	-5	-5
16	1600	4064	-6	-6	-6	-6
17	1700	4318	-7	-7	-7	-7
18	1800	4572	-8	-8	-8	-8
19	1900	4826	-9	-9	-9	-9
20	2000	5080	-0	-0	-0	-0
21	2100	5334	-1	-1	-1	-1
22	2200	5588	-2	-2	-2	-2
23	2300	5842	-3	-3	-3	-3
24	2400	6096	-4	-4	-4	-4
25	2500	6350	-5	-5	-5	-5
26	2600	6604	-6	-6	-6	-6
27	2700	6858	-7	-7	-7	-7
28	2800	7112	-8	-8	-8	-8
29	2900	7366	-9	-9	-9	-9
30	3000	7620	-0	-0	-0	-0
31	3100	7874	-1	-1	-1	-1
32	3200	8128	-2	-2	-2	-2
33	3300	8382	-3	-3	-3	-3
34	3400	8636	-4	-4	-4	-4
35	3500	8890	-5	-5	-5	-5
36	3600	9144	-6	-6	-6	-6
37	3700	9398	-7	-7	-7	-7
38	3800	9652	-8	-8	-8	-8
39	3900	9906	-9	-9	-9	-9
40	4000	10160	-0	-0	-0	-0
41	4100	10414	-1	-1	-1	-1
42	4200	10668	-2	-2	-2	-2
43	4300	10922	-3	-3	-3	-3
44	4400	11176	-4	-4	-4	-4
45	4500	11430	-5	-5	-5	-5
46	4600	11684	-6	-6	-6	-6
47	4700	11938	-7	-7	-7	-7
48	4800	12192	-8	-8	-8	-8
49	4900	12446	-9	-9	-9	-9
50	5000	12700	-0	-0	-0	-0

PRELIMINARY ISSUE  
 NOT RELEASED  
 FOR PRODUKTION  
 NAME: H+ DATE: 11.1.79

LOC  
 R1  
 DIST

DRAWING VALID FROM  
 ZEICHNUNG GÜLTIG AB

P	F	LTR	REVISION RECORD	APP	DATE	P	F	LTR	REVISION RECORD	APP	DATE

H	REV. PER ECN 8809	Q.NO	15.2.79
G	REV. PER ECN 8539 <td>1112.85</td> <td>12.9.88</td>	1112.85	12.9.88
F	REV. PER ECN 8197 <td>51.83</td> <td>5.1.83</td>	51.83	5.1.83
D	REV. PER ECN 3641 <td>26.9.80</td> <td>26.9.80</td>	26.9.80	26.9.80
C	REV. PER ECN 3153 <td>11.12.79</td> <td>11.12.79</td>	11.12.79	11.12.79
B	REV. PER ECN 3070 <td>24.10.79</td> <td>24.10.79</td>	24.10.79	24.10.79

DWG NO	826 634	DESCRIPTION	AMP MODU II PIN HEADER
REVISION OF EACH ASSY NO		REVISION	
QTY REQD PER ASSY		PARTS LIST	
DIMENSIONS IN INCHES.		MATERIAL	
TOLERANCES UNLESS OTHERWISE SPECIFIED:		HEAT TREAT	
2 PL DEC ±		FINISH	
3 PL DEC ±.006 (±0.15)			
4 PL DEC ±			
ANGLES ±			
SURF TEXTURE:			
REMOVE BURRS, BREAK SHARP EDGES .015R MAX			
DR	9.1.79 H+	APP	
CHK	73.2.79	REL	
NAME			
DATE			
DWG NO	826 634	SHEET	1
		REV	H