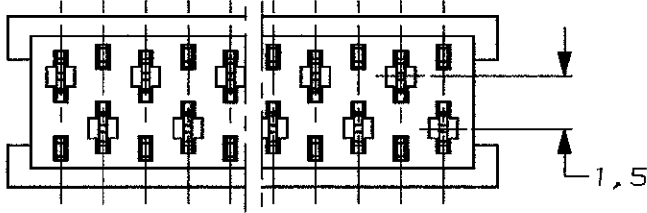


NOTES:
 ▲ DIRECTION OF KINK OPTIONAL.

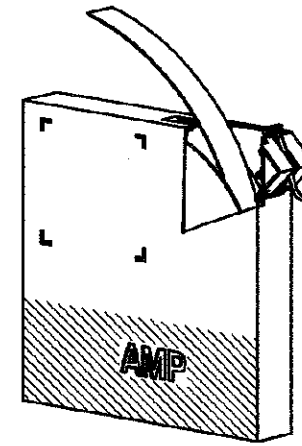
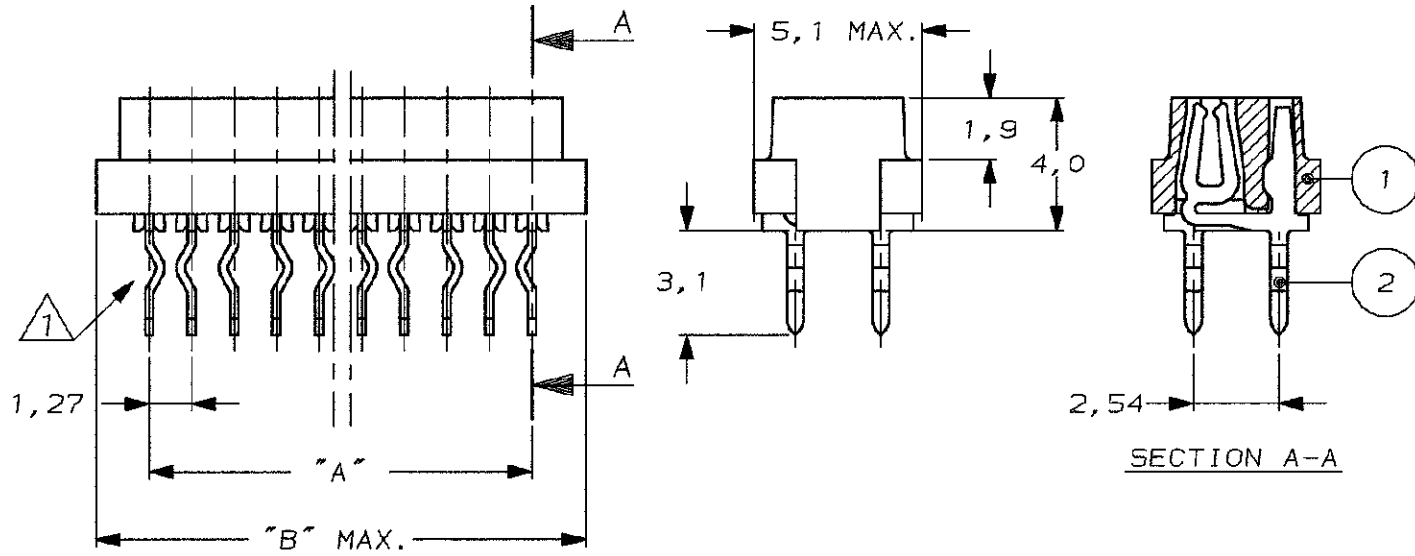
DO NOT SCALE
 DIMENSIONS IN mm

METRIC

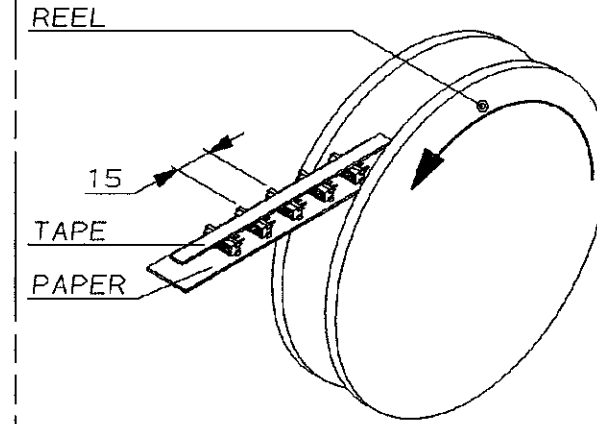
THIRD ANGLE
 PROJECTION



PARTNUMBER	PARTNUMBER	NUMBER OF POSITIONS	"A"	"B" MAX.
7-215079-4	0-215079-4	4	3,81	7,1
7-215079-6	0-215079-6	6	6,35	9,7
7-215079-8	0-215079-8	8	8,89	12,2
8-215079-0	1-215079-0	10	11,43	14,7
8-215079-2	1-215079-2	12	13,97	17,3
8-215079-4	1-215079-4	14	16,51	19,8
8-215079-6	1-215079-6	16	19,05	22,4
8-215079-8	1-215079-8	18	21,59	24,9
9-215079-0	2-215079-0	20	24,13	27,4



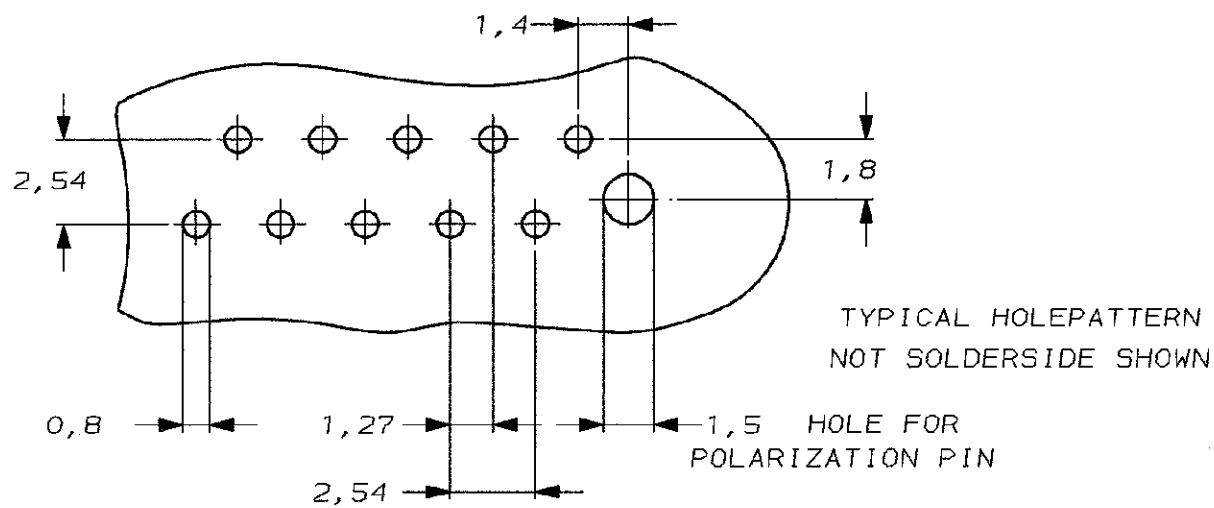
DEREELING DIRECTION AND POSITION OF CONNECTORS.



250 CONNECTORS PER BOX.

2500 CONNECTORS PER REEL.

DESCRIPTION	MATERIAL	ITEM
FEMALE CONTACT	PHBR. PLATING: TIN-LEAD 93-7	2
HOUSING	GLASS FILLED POLYESTER (RED)	1



CUSTOMER DRAWING FOR REFERENCE ONLY WILL NOT BE UPDATED
 © COPYRIGHT 19- BY AMP HOLLAND B.V.
 ALL INTERNATIONAL RIGHTS RESERVED. AMP PRODUCTS MAY BE COVERED BY U.S. AND FOREIGN AND/OR PATENTS PENDING.
 THIS DRAWING IS UNPUBLISHED RELEASED FOR PUBLICATION ,19
AMP AMP HOLLAND B.V. s-Hertogenbosch, The Netherlands.
 R EH-1337-97 D.K. MVD 25 NOV 97
 P EH-0702-97 D.K. M.G. 01 JUL 97
 LTR. REVISION RECORD DR. CHK. DATE
 Micro-Match FEM. ON BOARD CONNECTOR

DR.: D. KESSLER CHK.: 01 JUL 97 APP.: - DWG. No. C-215079 REV. LTR. SHEET R 1 OF 1 A3
 DATE: - DATE: - DATE: -