

Features

- 2.54 mm pitch & height
- 2 to 6 precious metal contacts
- End-to-end stackable
- Twin hot contacts (symmetrical pad layout)
- Pick & place compatible
- High cycle life

- RoHS compliant* - see [processing information](#) on lead free modular contacts

70AA/Male - Modular Contact

Materials & Finishes

Insulator....Glass reinforced thermoplastic,
UL 94V-0 rated, black
Contact.....Copper alloy
Finish
Underplating 30 μ" - 60 μ" nickel
Contact Area.....30 μ" Au over nickel

Operating Characteristics

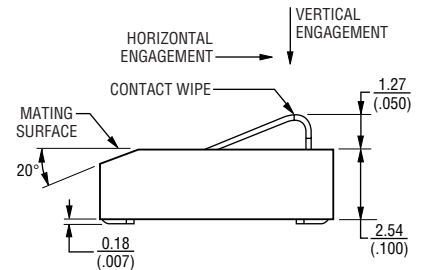
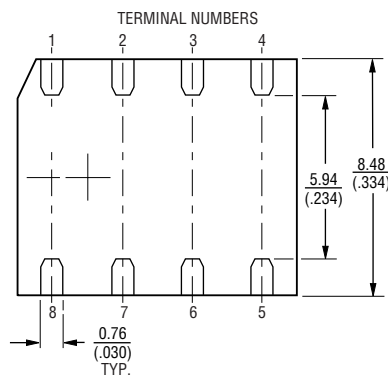
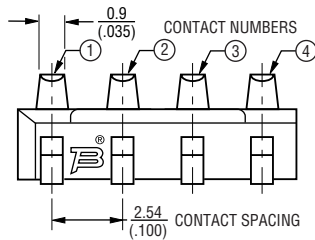
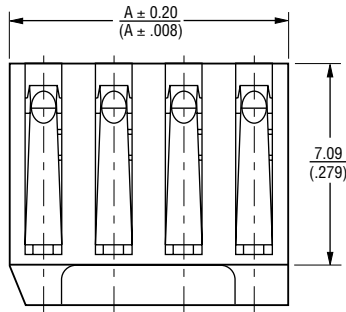
Electrical
Current Rating..... 3 A/contact
Voltage Rating.....60 V
Contact Resistance 25 mohms max.
Dielectric VoltageAC 500 V
Insulating Resistance .. 1000 Mohms min.
Operating Temperature
..... -55 °C to 125 °C
Mechanical
Vibration..... 30 G, 10-2K Hz,
0.06 inches D.A.
Shock..... 100 G
Normal Force 80 grams min.
at a working height of
0.25 mm (0.010 inches)
Durability..... 10,000 cycles min.

How to Order

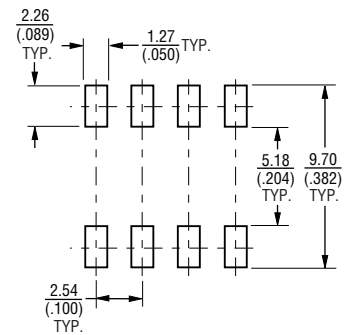
70AA J - 4 - M 0 G

Model _____
Terminal Style _____
J = SMT
Number of Contacts (N) _____
2 through 6
Gender _____
M = Male
Options _____
0 = Standard
Packaging Option _____
= Tube
G = Embossed Tape (750 pcs. per reel)

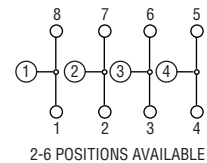
Product Dimensions



Recommended PWB Layout



Electrical Schematic



Number of Contacts	Dimension A
2	$\frac{5.00}{(.197)}$
3	$\frac{7.54}{(.297)}$
4	$\frac{10.20}{(.397)}$
5	$\frac{12.62}{(.497)}$
6	$\frac{15.16}{(.597)}$

TOLERANCES: $\frac{.03}{(.012)}$ UNLESS OTHERWISE NOTED

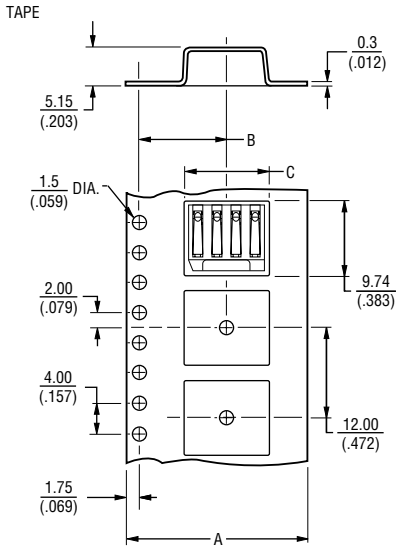
DIMENSIONS: $\frac{MM}{(INCHES)}$

*RoHS Directive 2002/95/EC Jan 27 2003 including Annex.
Specifications are subject to change without notice.
Customers should verify actual device performance in their specific applications.

70AA/Male - Modular Contact

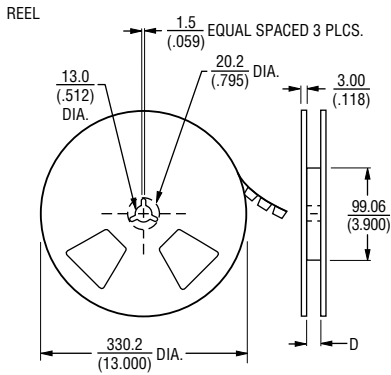
BOURNS®

Packaging Specifications



No. of Contacts	Dimension A	Dimension B	Dimension C	Dimension D
2	$\frac{16.0}{(.630)}$	$\frac{7.5}{(.296)}$	$\frac{5.64}{(.222)}$	$\frac{16.4}{(.646)}$
3	$\frac{16.0}{(.630)}$	$\frac{7.5}{(.296)}$	$\frac{8.19}{(.323)}$	$\frac{16.4}{(.646)}$
4	$\frac{24.0}{(.945)}$	$\frac{11.5}{(.453)}$	$\frac{10.4}{(.409)}$	$\frac{24.4}{(.961)}$
5	$\frac{24.0}{(.945)}$	$\frac{11.5}{(.453)}$	$\frac{12.95}{(.510)}$	$\frac{24.4}{(.961)}$
6	$\frac{24.0}{(.945)}$	$\frac{11.5}{(.453)}$	$\frac{15.5}{(.610)}$	$\frac{24.4}{(.961)}$

DIMENSIONS: $\frac{\text{MM}}{\text{(INCHES)}}$



REV. 12/09

Specifications are subject to change without notice.
Customers should verify actual device performance in their specific applications.