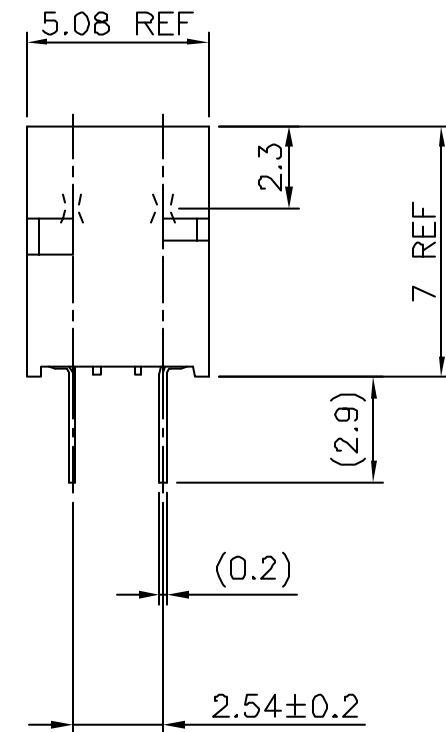
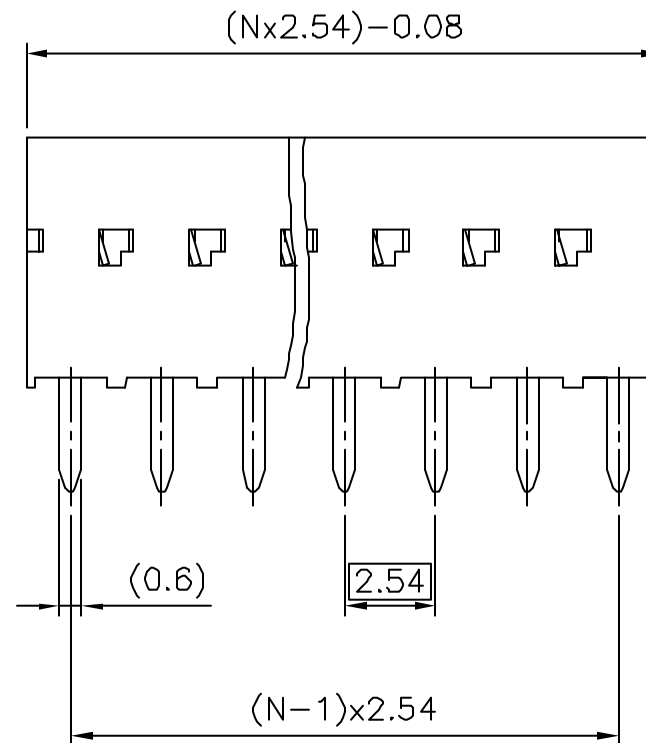
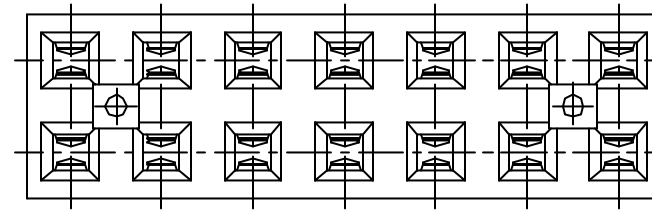


PRODUCT NUMBER
76342-YXXXLF

WHEN NEEDED, SUFFIX LETTER "LF"
INDICATES THE PRODUCT IS RoHS
COMPATIBLE, SEE NOTE 10
OPTIONAL LETTER
H: HIGH TEMPERATURE PRODUCT.
C: PACKAGED IN SHORT TUBE.
NUMBER OF POSITIONS PER ROW: 02 TO 50.
PLATING CODE
3= 0.76µm GOLD ON CONTACT AREA.
3.81µm TIN-LEAD ON TAIL.
4= 5µm TIN-LEAD ON CONTACT AREA.
3.81µm TIN-LEAD ON TAIL.
WHEN SUFFIX "LF" IS REQUIRED, 2µm MIN MATTE
TIN OVER 1.27 MIN Ni IS SUPPLIED INSTEAD OF SnPb.

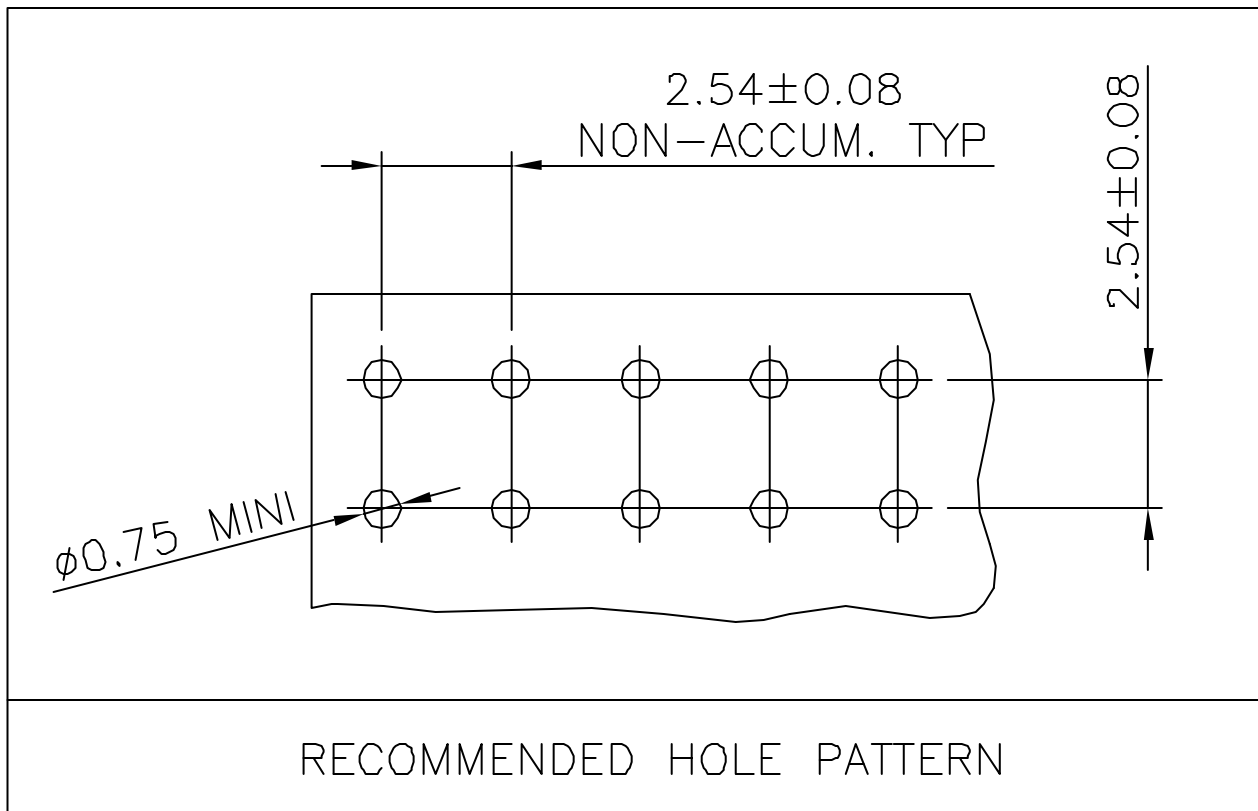


NOTES:

- 1 - HOUSING MAT'L: THERMOPLASTIC GLASS FILLED
FLAME RETARDANT PER UL 94 V-0
LOW TEMPERATURE: COLOR BLUE
HIGH TEMPERATURE: COLOR GREY.
- 2 - TERMINAL MATERIAL: PHOSPHOR BRONZE.
- 3 - 2 UP TO 4 POSITIONS PRODUCT PACKED IN PLASTIC BOX.
5 UP TO 50 POSITIONS PRODUCT PACKED IN TUBE.
- 4 - TO DETERMINE DIMENSIONS:
N = NUMBER OF POSITIONS PER ROW
EXAMPLE: 8 POS: $(N \times 2.54) - 0.08 = 20.24$ mm
- 5 - RoHS COMPATIBLE PRODUCT SPECIFICATIONS
 - a - PLATING:
- "LF" MEANS THE PRODUCT IS LEAD-FREE,
2µm MINIMUM MATTE TIN OVER 1.27µm
MINIMUM NICKEL UNDERPLATE.
 - b - MANUFACTURING PROCESS COMPATIBILITY
- THE HOUSING WILL WITHSTAND EXPOSURE TO
260°C ±5°C SOLDER BATH TEMPERATURE FOR
5 SECONDS IN A WAVE SOLDER APPLICATION
WITH A 1.6mm MIN THICK CIRCUIT BOARD.
 - c - LABELING:
- MEETS PACKAGING SPECS AS PER GS-14-920
 - d - LEGAL STATEMENT: SEE GS-22-008

mat'l. code SEE NOTES 1 & 2				surface ISO 1302 ✓	tolerance ISO 406 ISO 1101	projection mm	product family DUBOX	
Ltr	ecn no	dr	date	tolerances unless otherwise specified		mm	title BtB RECEPT. VERT DR TMT	
S	F10342	DLE	01.06.12	angles	Linear		scale 5:1	dwg no 76342
T	F04-0347	DLE	04.09.27	±2'		FCJ		sheet 1 of 2
U	F06-0137	DLE	06.02.27				size A3	type CUSTOMER Drawing
V	F06-0204	DLE	06.06.20	dr	D LEGRAND	04.09.27		
				enr	P NIZZI	04.09.27		
P	F90376	DLE	99.06.21	chr	D LEGRAND	04.09.27		
R	F10110	GCO	01.01.16	appd	P NZ	04.09.27		
sheet index	revision sheet	V B	1 2					

A A



B B

C C



mat'l. code SEE SHEET 1				surface ISO 1302 ✓		tolerance ISO 406 ISO 1101		projection 		product family DUBOX					
Ltr				ecn no		dr		date		title					
A				F04-0347		DLE		04.09.27		BtB RECEPT. VERT DR TMT					
B				F06-0204		DLE		06.06.20							
				angles		linear		±0.3		mm					
				±2'				scale 5:1							
				dr		D LEGRAND		04.09.27		dwg no		sheet 2 of 2		size	
				engr		P NIZZI		04.09.27		76342		A4			
				chr		D LE		04.09.27							
				appd		P NZ		04.09.27		type		CUSTOMER		Drawing	
sheet index		revision sheet													

D D