

**PLEASE CHECK WWW.MOLEX.COM FOR LATEST PART INFORMATION**

**Part Number:** [0731000256](#)  
**Status:** **Active**  
**Overview:** [smb](#)  
**Description:** SMB 75 Ohm Mini, Right Angle Plug, Crimp, RG179, 187

**Documents:**

[Drawing \(PDF\)](#) [RoHS Certificate of Compliance \(PDF\)](#)

**General**

Product Family	RF/Coax Connectors
Series	<a href="#">73100</a>
More Detailed Tech Information	<a href="mailto:rf@molex.com">rf@molex.com</a>
Overview	<a href="#">smb</a>
Product Name	SMB
Style	Cable
Wire/Cable Type	RG-179

**Physical**

Cable Attachment	Crimp
Gender	Plug
Keying to Mating Part	None
Orientation	Right Angle
PCB Mounting	N/A
Packaging Type	Bag
Panel Mount	No
Panel Mount Method	N/A
Reverse Polar	No
Shield Type	Single Shield

**Electrical**

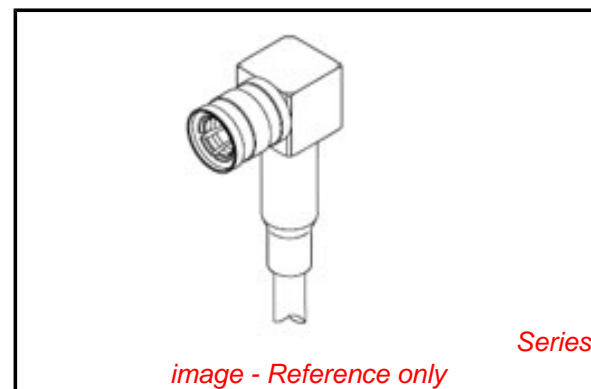
Impedance	75#
-----------	-----

**Material Info**

Country of Origin	TW
-------------------	----

**Reference - Drawing Numbers**

Sales Drawing	SDA-73100-0256
---------------	----------------



*image - Reference only*

**EU RoHS**

**RoHS Compliant RF Product**

**REACH SVHC**

**Contains SVHC: No**

**Low-Halogen Status**

**Low-Halogen**

**China RoHS**



**Need more information on product environmental compliance?**

Email [productcompliance@molex.com](mailto:productcompliance@molex.com)  
 For a multiple part number RoHS Certificate of Compliance, [click here](#)

Please visit the [Contact Us](#) section for any non-product compliance questions.

**Search Parts in this Series**

[73100Series](#)