

Features

- 2.54 mm pitch & height
 - 2 to 6 precious metal contacts
 - End-to-end stackable
 - Twin hot contacts (symmetrical pad layout)
 - Pick & place compatible
 - High cycle life
- RoHS compliant* - see [processing information](#) on lead free surface mount components
 - For applications/processing guidelines, [click here](#)

70AA/Female - Modular Contact

Materials & Finishes

Insulator.....Glass reinforced thermoplastic,
UL 94V-0 rated, black
Contact.....Copper alloy
Finish
UnderplatingNickel
Contact Area.....Gold

Operating Characteristics

Electrical
Current Rating.....3 A/contact
Voltage Rating.....60 V
Contact Resistance30 mohms max.
Dielectric VoltageAC 500 V
Insulating Resistance..1000 Mohms min.
Operating Temperature
.....-55 °C to 125 °C

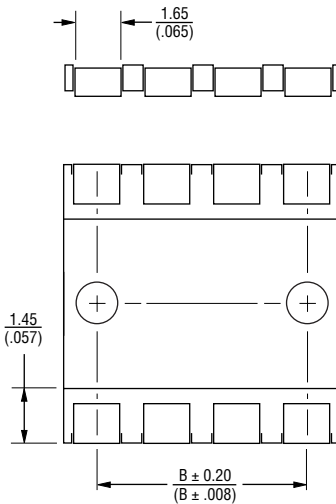
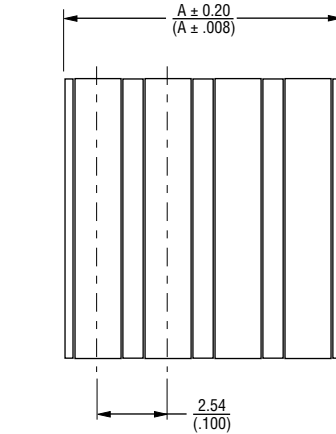
Mechanical
Durability.....10,000 cycles min.

How to Order

70AA J - 4 - F 0 G

Model _____
Terminal Style _____
J = SMT
Number of Contacts (N) _____
2 through 6
Gender _____
F = Female
Options _____
0 = Standard
1 = Locating Pins
Packaging Option _____
_ = Tube (240/N pcs. or 240 contacts per tube)
G = Embossed Tape (750 pcs. per reel)

Product Dimensions

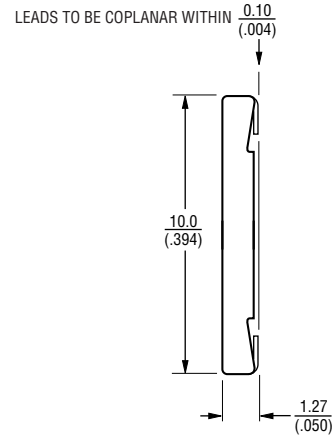


Number of Contacts	Dimension A	Dimension B
2	4.98 (.196)	2.54 (.100)
3	7.52 (.296)	5.08 (.200)
4	10.06 (.396)	7.62 (.300)
5	12.60 (.496)	10.16 (.400)
6	15.14 (.596)	12.70 (.500)

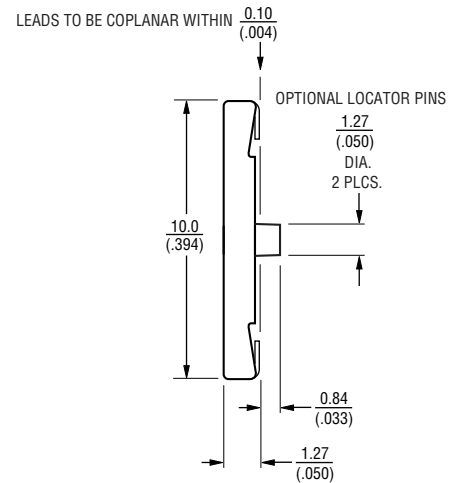
TOLERANCES: $\frac{0.3}{(.012)}$ UNLESS OTHERWISE NOTED

DIMENSIONS: $\frac{\text{MM}}{\text{(INCHES)}}$

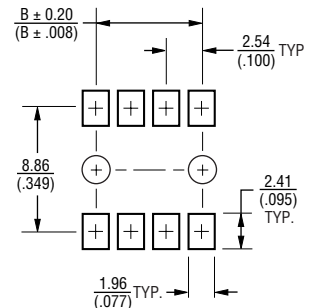
Standard Version (-0)



Locating Pins Version (-1)



Recommended PWB Layout

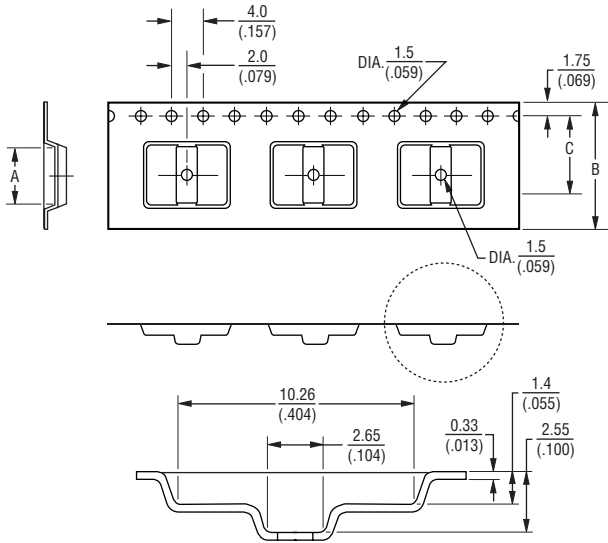


*RoHS Directive 2002/95/EC Jan 27 2003 including Annex.
Specifications are subject to change without notice.
Customers should verify actual device performance in their specific applications.

70AA/Female - Modular Contact

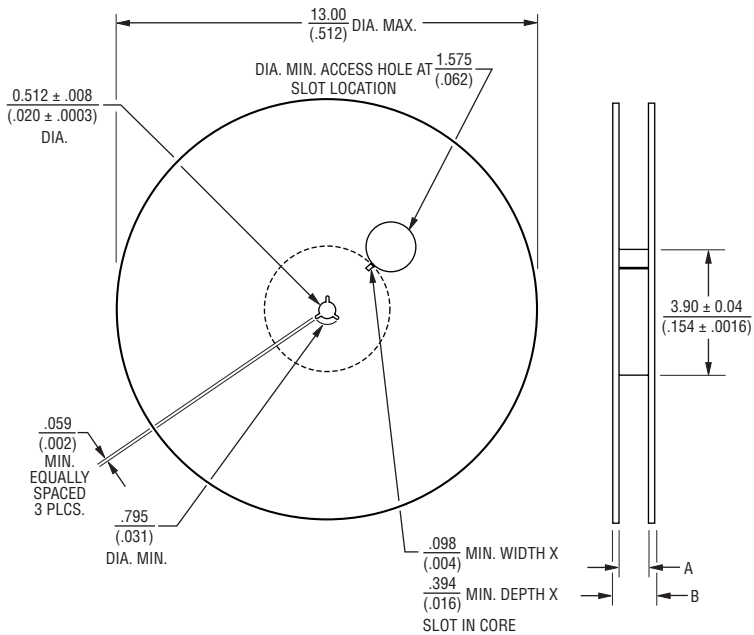
BOURNS®

Packaging Specifications



No. of Contacts	Dimension A	Dimension B	Dimension C
2	$\frac{5.23}{(.206)}$	$\frac{16.0}{(.630)}$	$\frac{7.5}{(.295)}$
3	$\frac{7.77}{(.306)}$	$\frac{16.0}{(.630)}$	$\frac{7.5}{(.295)}$
4	$\frac{10.31}{(.406)}$	$\frac{24.0}{(.945)}$	$\frac{11.5}{(.453)}$
5	$\frac{12.85}{(.506)}$	$\frac{24.0}{(.945)}$	$\frac{11.5}{(.453)}$
6	$\frac{15.39}{(.606)}$	$\frac{24.0}{(.945)}$	$\frac{11.5}{(.453)}$

DIMENSIONS: $\frac{\text{MM}}{\text{(INCHES)}}$



No. of Contacts	Dimension A	Dimension B (Max.)
2	$\frac{.646}{(.025)}$	$\frac{.882}{(.035)}$
3	$\frac{.646}{(.025)}$	$\frac{.882}{(.035)}$
4	$\frac{.961}{(.038)}$	$\frac{1.197}{(.047)}$
5	$\frac{.961}{(.038)}$	$\frac{1.197}{(.047)}$
6	$\frac{.961}{(.038)}$	$\frac{1.197}{(.047)}$

REV. 08/10

Specifications are subject to change without notice. Customers should verify actual device performance in their specific applications.