

PRODUCT NUMBER  
76341-YXXXLF

WHEN NEEDED, SUFFIX LETTER "LF"  
INDICATES THE PRODUCT IS RoHS  
COMPATIBLE, SEE NOTE 5.

OPTIONAL LETTER  
H: HIGH TEMPERATURE PRODUCT.

NUMBER OF POSITIONS: 02 TO 50.

PLATING CODE

3= 0.76µm GOLD ON CONTACT AREA.

3.81µm TIN-LEAD ON TAIL.

4= 5µm TIN-LEAD ON CONTACT AREA.

3.81µm TIN-LEAD ON TAIL.

WHEN SUFFIX "LF" IS REQUIRED, 2µm MIN MATTE  
TIN OVER 1.27 MIN Ni IS SUPPLIED INSTEAD OF SnPb.

NOTES:

- 1 - HOUSING MAT'L: THERMOPLASTIC GLASS FILLED  
FLAME RETARDANT PER UL 94 V-0  
LOW TEMPERATURE: COLOR BLUE  
HIGH TEMPERATURE: COLOR GREY.
- 2 - TERMINAL MATERIAL: PHOSPHOR BRONZE.
- 3 - 2 UP TO 4 POSITIONS PRODUCT PACKED IN PLASTIC BOX.  
5 UP TO 50 POSITIONS PRODUCT PACKED IN TUBE.

4 - TO DETERMINE DIMENSIONS:

N = NUMBER OF POSITIONS

EXAMPLE: 8 POS:  $(N \times 2.54) - 0.08 = 20.24$  mm

5 - RoHS COMPATIBLE PRODUCT SPECIFICATIONS

a - PLATING:

- "LF" MEANS THE PRODUCT IS LEAD-FREE,  
2µm MINIMUM MATTE TIN OVER 1.27µm  
MINIMUM NICKEL UNDERPLATE.

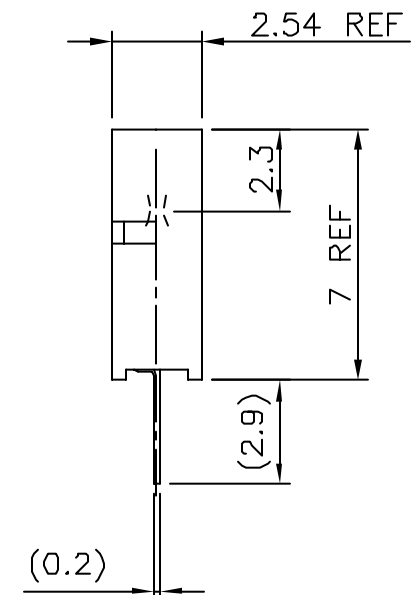
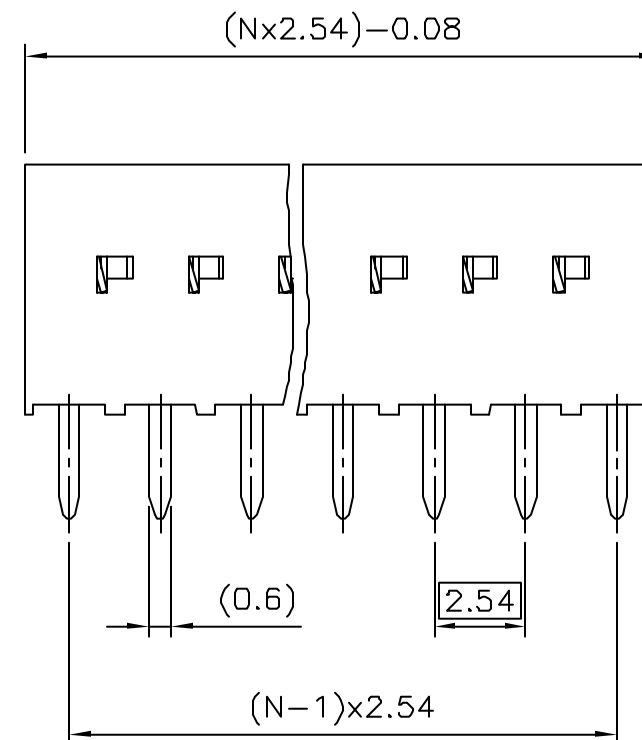
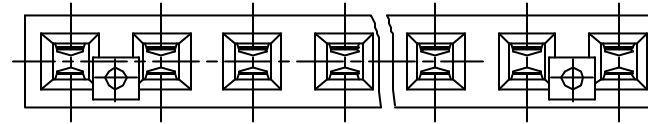
b - MANUFACTURING PROCESS COMPATIBILITY

- THE HOUSING WILL WITHSTAND EXPOSURE TO  
260°C ±5°C SOLDER BATH TEMPERATURE FOR  
5 SECONDS IN A WAVE SOLDER APPLICATION  
WITH A 1.6mm MIN THICK CIRCUIT BOARD.

c - LABELING:

- MEETS PACKAGING SPECS AS PER GS-14-920

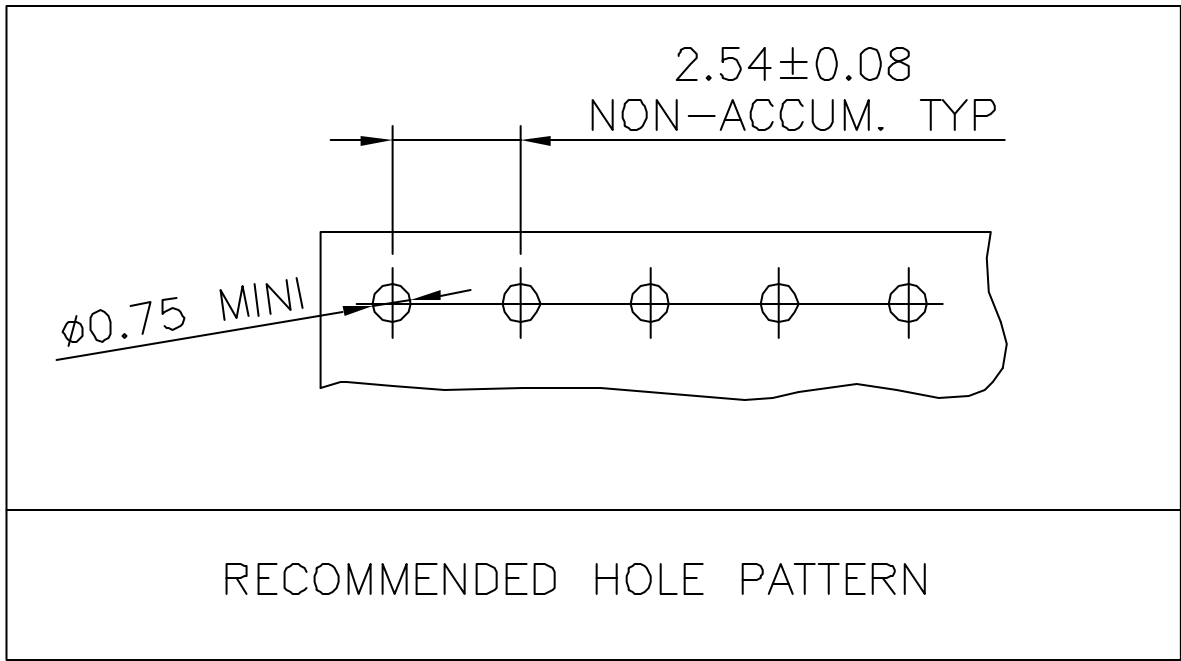
d - LEGAL STATEMENT: SEE GS-22-008



|             |          |          |          |                                       |           |            |  |                  |  |
|-------------|----------|----------|----------|---------------------------------------|-----------|------------|--|------------------|--|
| mat'l. code |          | surface  |          | tolerance                             |           | projection |  | product family   |  |
| SEE NOTES   |          | ISO 1302 |          | ISO 406 ISO 1101                      |           | mm         |  | DUBOX            |  |
| ltr         | ecn na   | dr       | date     | tolerances unless otherwise specified |           | mm         |  | title            |  |
| G           | F10030   | PVA      | 91.02.26 | angles                                | Linear    | ±0.3       |  | BtB RECEPT.      |  |
| H           | F60711   | PNZ      | 96.10.11 | ±2'                                   |           | scale 5:1  |  | VERT SR TMT      |  |
| J           | FB0115   | PNZ      | 98.01.22 |                                       |           |            |  | dwg no           |  |
| K           | F10110   | GCD      | 01.01.16 | dr                                    | D LEGRAND | 04.09.27   |  | sheet 1 of 2     |  |
| L           | F03-0284 | DLE      | 03.10.07 | enr                                   | P NIZZI   | 04.09.27   |  | size             |  |
| M           | F04-0347 | DLE      | 04.09.27 | chr                                   | D LEGRAND | 04.09.27   |  | 76341            |  |
| N           | F06-0204 | DLE      | 06.06.20 | appd                                  | P NZ      | 04.09.27   |  | A3               |  |
| sheet       | revision | N        | B        |                                       |           |            |  | type             |  |
| index       | sheet    | 1        | 2        |                                       |           |            |  | CUSTOMER Drawing |  |



Copyright FCI



FCIconnect.com

Copyright FCI

|                            |  |                |  |                       |  |                               |  |                |  |                            |  |              |  |         |
|----------------------------|--|----------------|--|-----------------------|--|-------------------------------|--|----------------|--|----------------------------|--|--------------|--|---------|
| mat'l. code<br>SEE SHEET 1 |  |                |  | surface<br>ISO 1302 ✓ |  | tolerance<br>ISO 406 ISO 1101 |  | projection<br> |  | product family<br>DUBOX    |  |              |  |         |
| ltr                        |  |                |  | ecn no                |  | dr                            |  | date           |  | title                      |  |              |  |         |
| A                          |  |                |  | F04-0347              |  | DLE                           |  | 04.09.27       |  | BtB RECEPT.<br>VERT SR TMT |  |              |  |         |
| B                          |  |                |  | F06-0204              |  | DLE                           |  | 06.06.20       |  |                            |  |              |  |         |
|                            |  |                |  | angles                |  | linear                        |  | ±0.3           |  | mm                         |  |              |  |         |
|                            |  |                |  | ±2'                   |  |                               |  |                |  | scale 5:1                  |  |              |  |         |
|                            |  |                |  | dr                    |  | D LEGRAND                     |  | 04.09.27       |  | dwg no                     |  | sheet 2 of 2 |  | size    |
|                            |  |                |  | enr                   |  | P NIZZI                       |  | 04.09.27       |  | 76341                      |  |              |  | A4      |
|                            |  |                |  | chr                   |  | D LE                          |  | 04.09.27       |  | type                       |  | CUSTOMER     |  | Drawing |
|                            |  |                |  | appd                  |  | P NZ                          |  | 04.09.27       |  |                            |  |              |  |         |
| sheet index                |  | revision sheet |  |                       |  |                               |  |                |  |                            |  |              |  |         |