

Features

- Low profile
- Rugged design
- Vertical or horizontal entry
- Tape & reel packaging available
- RoHS compliant* - see [processing information](#) on lead free surface mount components
- For applications/processing guidelines, [click here](#)

70AD/Male - Modular Contact

Materials & Finishes

Insulator.....Glass reinforced thermoplastic, UL 94V-0 rated, black
 Contact.....Copper alloy
 Finish
 UnderplatingNickel
 Contact Area.....Gold
 TerminationTin alloy (meets MIL-STD-202, method 208)

Operating Characteristics

Electrical
 Current Rating.....DC 3 A/contact
 Voltage Rating.....DC 30 V
 Contact Resistance25 mΩ max.
 Dielectric Voltage.....AC 500 V
 Insulating Resistance.....500 MΩ min.
 Operating Temperature-55 °C to 125 °C

Mechanical
 Vibration.....10-55 Hz, 0.06 inches D.A.
 Shock.....50 G, 11 ms
 Normal Force100 grams min. at a working height of 0.51 mm (0.020 in.)
 Durability.....5,000 cycles

Patent No. 5,378,160.

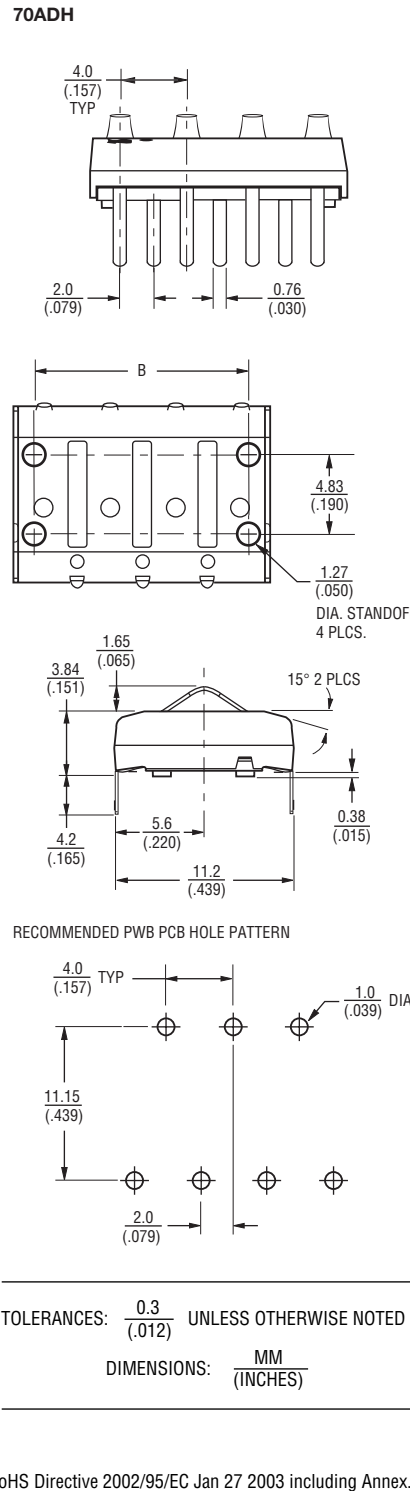
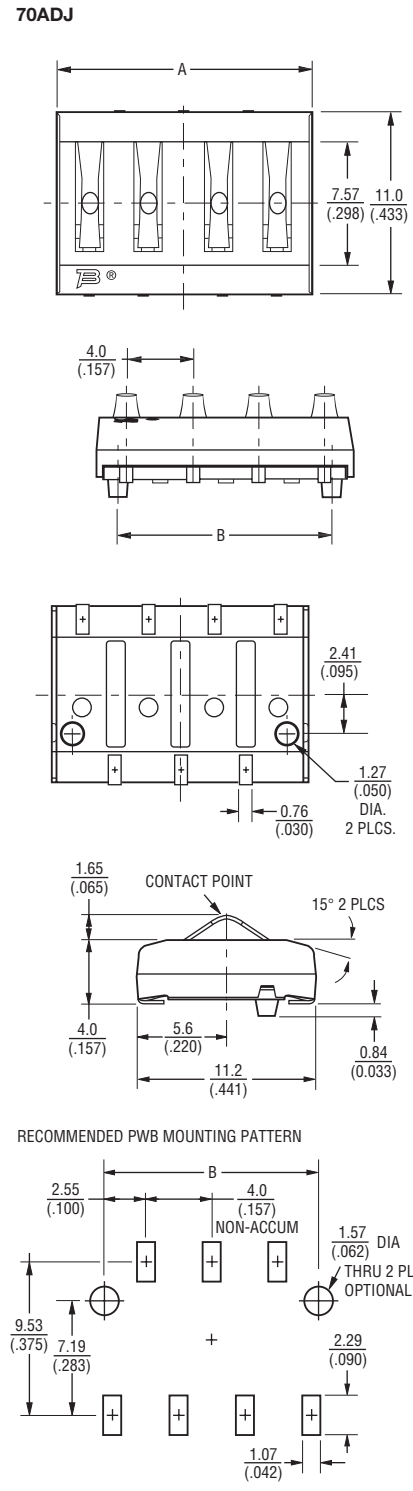
How to Order

70AD J - 3 - M L 0 G

Model _____
 Terminal Style _____
 J = SMT
 H = Through-hole
 Number of Contacts _____
 2 through 6
 Gender _____
 M = Male
 Height _____
 L = Low Profile
 Options _____
 0 = Standard
 1 = Locator Pins (J style only)
 Packaging Option _____
 _ = Tube (240/N pcs. or 240 contacts per tube)
 G = Embossed Tape (500 pcs. per reel)

Number of Contacts	Dimension A	Dimension B
2	7.7 (.303)	5.11 (.201)
3	11.7 (.461)	9.11 (.359)
4	15.7 (.618)	13.11 (.516)
5	19.7 (.776)	17.11 (.674)
6	23.7 (.933)	21.11 (.831)

Product Dimensions

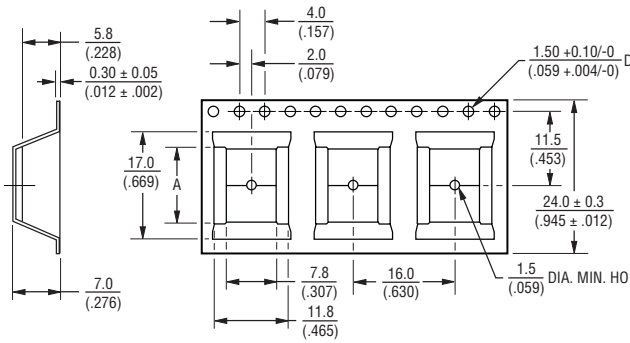


*RoHS Directive 2002/95/EC Jan 27 2003 including Annex. Specifications are subject to change without notice. Customers should verify actual device performance in their specific applications.

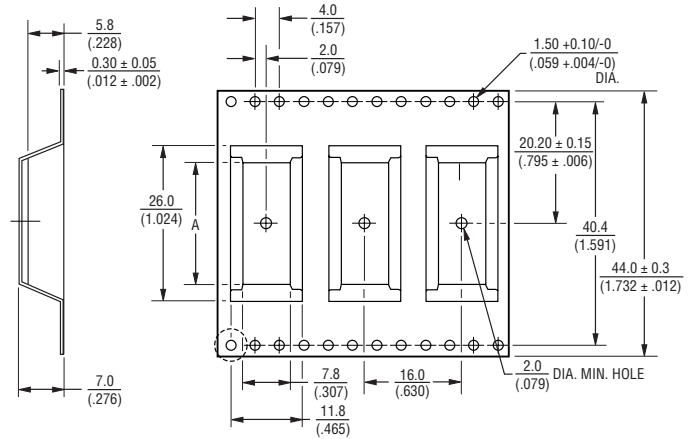
70AD/Male - Modular Contact

BOURNS®

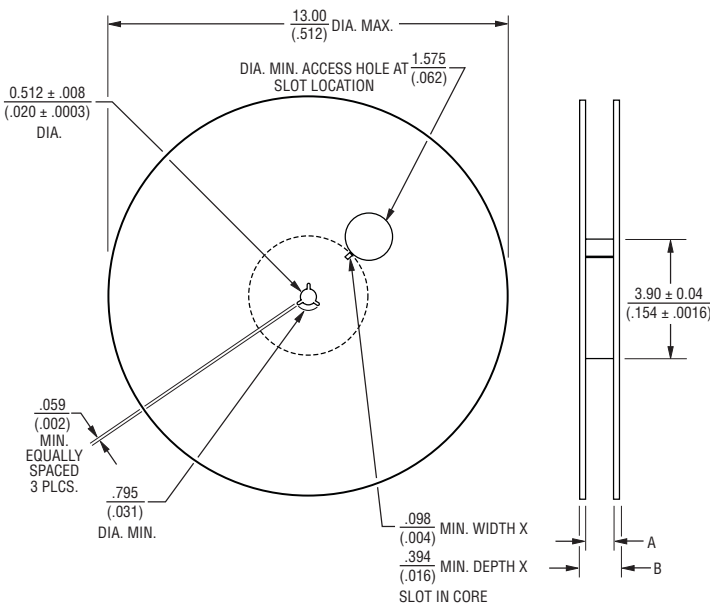
Packaging Specifications



No. of Contacts	Dimension A
2	$\frac{7.4}{(.291)}$
3	$\frac{11.7}{(.461)}$
4	$\frac{16.7}{(.657)}$



No. of Contacts	Dimension A
5	$\frac{18.87}{(.743)}$
6	$\frac{25.70}{(1.012)}$



No. of Contacts	Dimension A	Dimension B
2	$\frac{.961}{(.038)}$	$\frac{1.197}{(.047)}$
3	$\frac{.961}{(.038)}$	$\frac{1.197}{(.047)}$
4	$\frac{.961}{(.038)}$	$\frac{1.197}{(.047)}$
5	$\frac{1.765}{(.069)}$	$\frac{1.98}{(.078)}$
6	$\frac{1.765}{(.069)}$	$\frac{1.98}{(.078)}$

DIMENSIONS: $\frac{\text{MM}}{\text{(INCHES)}}$

REV. 08/10

Specifications are subject to change without notice. Customers should verify actual device performance in their specific applications.