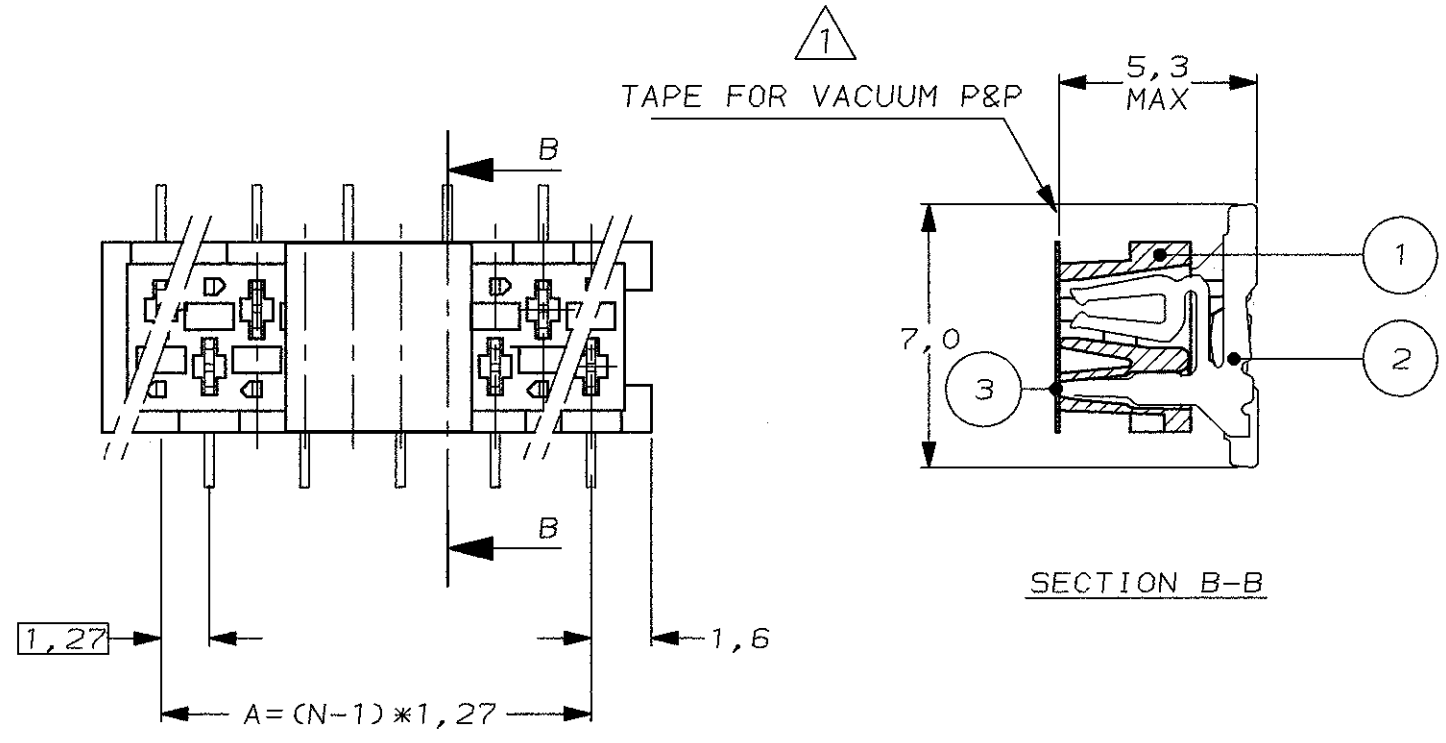


DO NOT SCALE
DIMENSIONS IN mm

METRIC

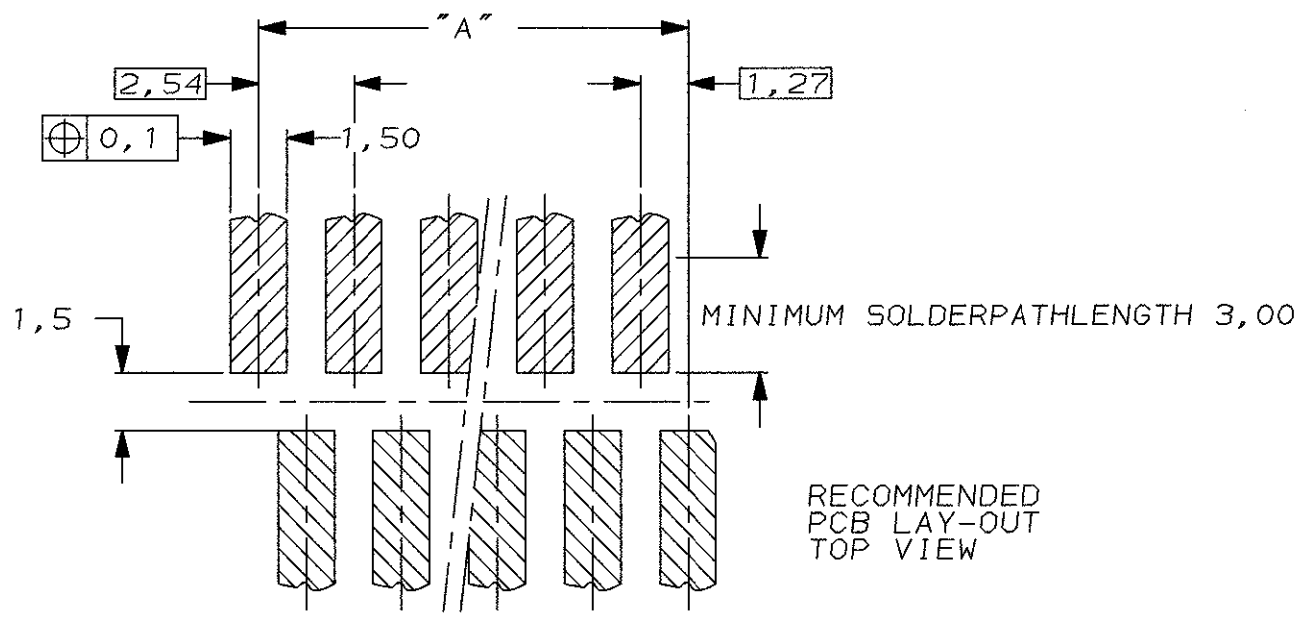
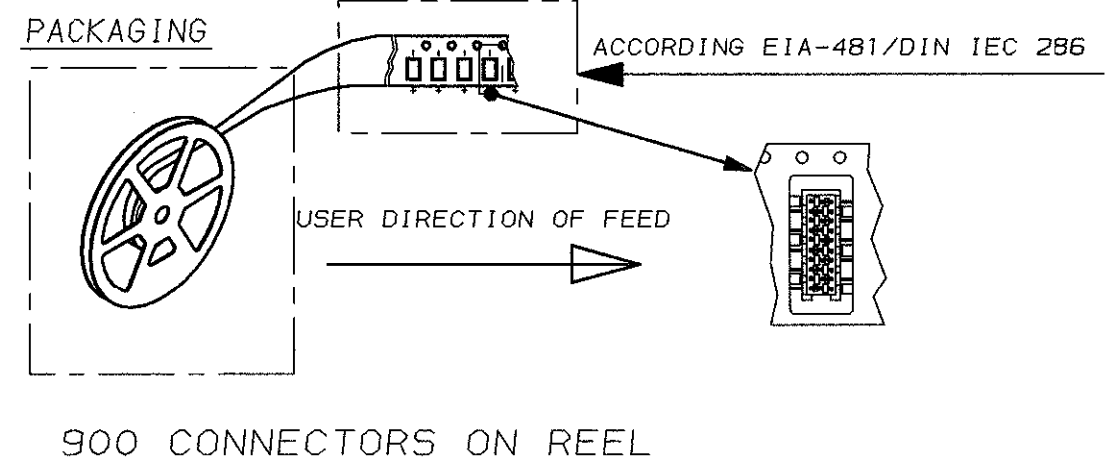
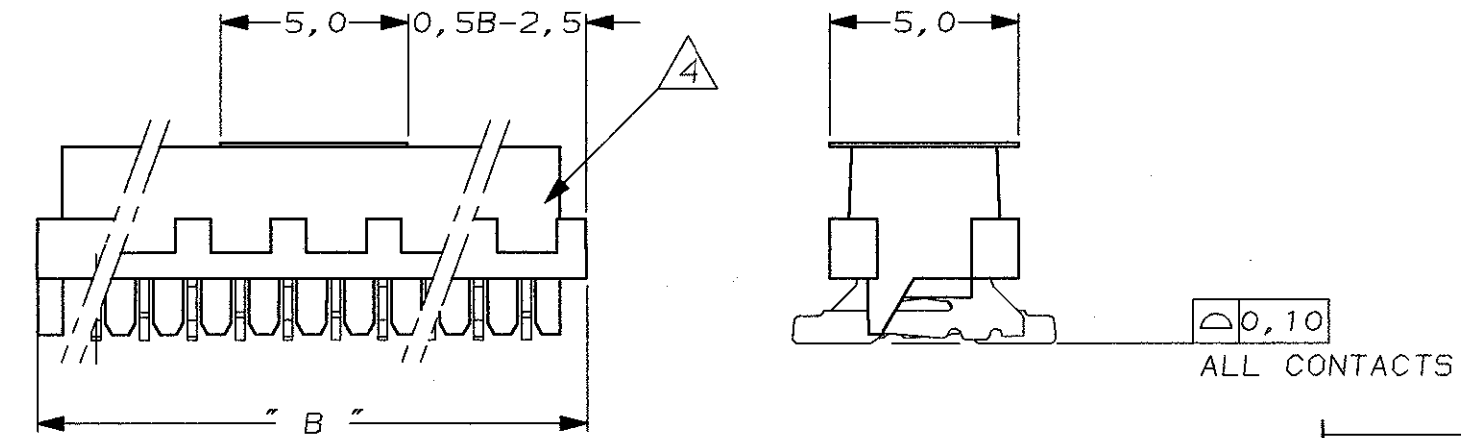


PARTNUMBER	PARTNUMBER	NUMBER OF POSITIONS	"A"	"B" MAX.
7-188275-4	0-188275-4	4	3,81	7,1
7-188275-6	0-188275-6	6	6,35	9,7
7-188275-8	0-188275-8	8	8,89	12,2
8-188275-0	1-188275-0	10	11,43	14,7
8-188275-2	1-188275-2	12	13,97	17,3
8-188275-4	1-188275-4	14	16,51	19,8
8-188275-6	1-188275-6	16	19,05	22,4
8-188275-8	1-188275-8	18	21,59	24,9
9-188275-0	2-188275-0	20	24,13	27,5



NOTES:

- ① TAPE FOR VACUUM P&P ONLY FOR NUMBERS 7-/8-/9-
- ② FOR PACKAGING SEE SHEET 2-2.
- ③ WITHOUT VACUUM TAPE.
- ④ CORING OUTS OPTIONAL.



FINISH	MATERIAL	DESCRIPTION	ITEM
TIN-LEAD PLATED	PHOSPHORBRONZE	TAPE	3
RED	PA 4.6	FEMALE CONTACT	2
		FEMALE HOUSING	1

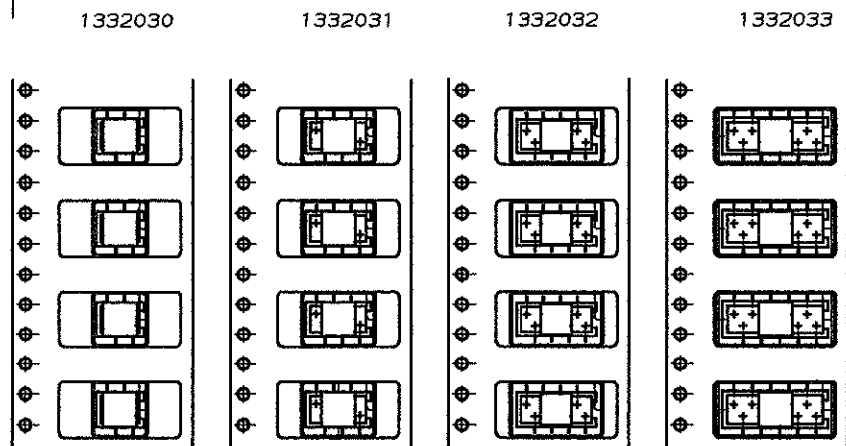
CUSTOMER DRAWING			
FOR REFERENCE ONLY WILL NOT BE UPDATED			
© COPYRIGHT 19- BY AMP HOLLAND B.V.			
ALL INTERNATIONAL RIGHTS RESERVED. AMP PRODUCTS MAY BE COVERED BY U.S. AND FOREIGN AND/OR PATENTS PENDING.			
THIS DRAWING IS UNPUBLISHED RELEASED FOR PUBLICATION			
AMP		AMP HOLLAND B.V. s-Hertogenbosch, The Netherlands.	
NAME MICRO-MATCH SMD FEMALE TOP ENTRY (AUTOMATIC P&P)			
LTR.	REVISION RECORD	DR.	CHK. DATE
DR.:	D. KESSLER	CHK.:	E. LEIJTENS
DATE:	15-08-94	DATE:	-
APP.:	E. LEIJTENS	DATE:	-
DWG. No.	188275		REV. LTR.
			L
			SHEET 1 OF 2
			A3

DO NOT SCALE
DIMENSIONS IN mm

METRIC

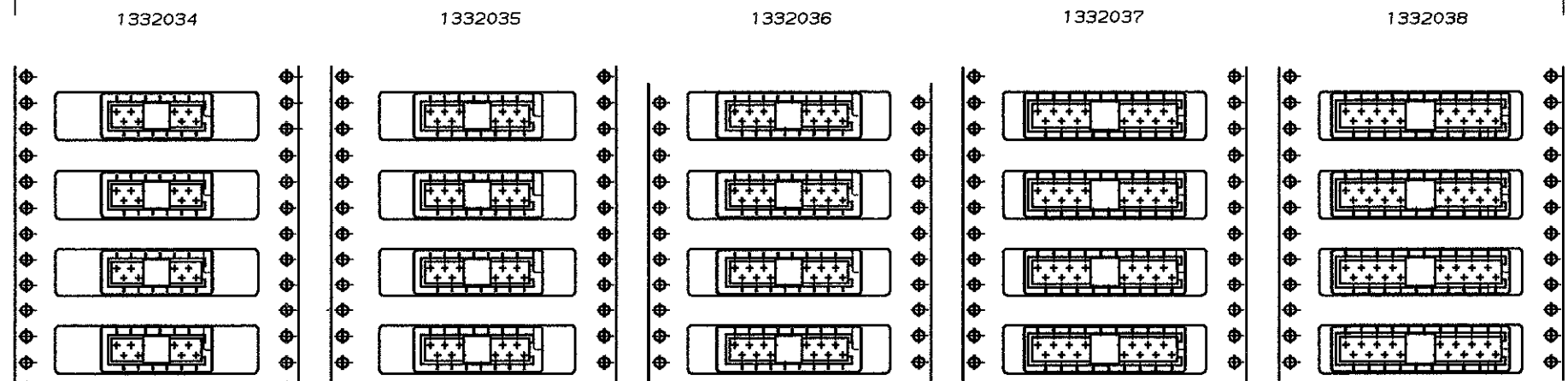


TAPE WIDTH 24 mm



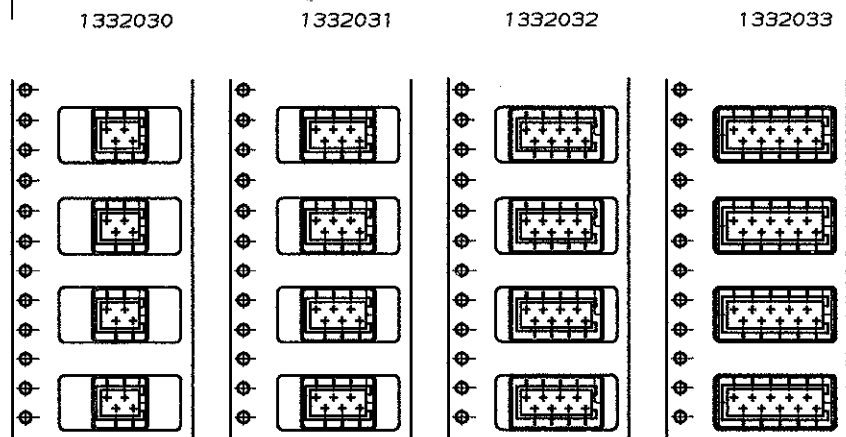
1332030 1332031 1332032 1332033
7-188275-4 7-188275-6 7-188275-8 8-188275-0
4 POSITIONS 6 POSITIONS 8 POSITIONS 10 POSITIONS

TAPE WIDTH 44mm



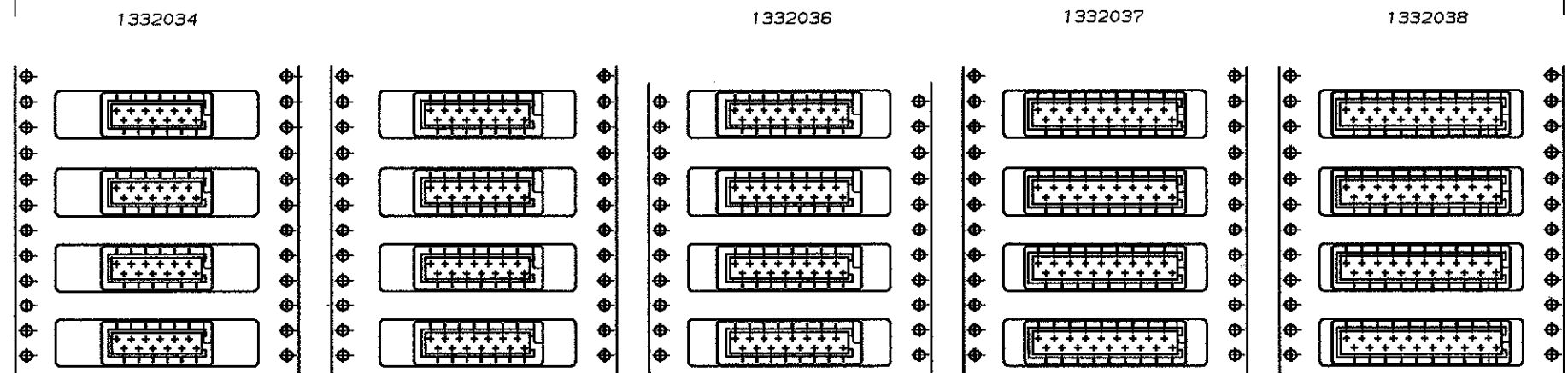
1332034 1332035 1332036 1332037 1332038
8-188275-2 8-188275-4 8-188275-6 8-188275-8 9-188275-0
12 POSITIONS 14 POSITIONS 16 POSITIONS 18 POSITIONS 20 POSITIONS

TAPE WIDTH 24 mm



1332030 1332031 1332032 1332033
0-188275-4 0-188275-6 0-188275-8 1-188275-0
4 POSITIONS 6 POSITIONS 8 POSITIONS 10 POSITIONS

TAPE WIDTH 44mm



1332034 1332036 1332037 1332038
1-188275-2 1-188275-4 1-188275-6 1-188275-8 2-188275-0
12 POSITIONS 14 POSITIONS 16 POSITIONS 18 POSITIONS 20 POSITIONS

-	-	-	-	-	<p>CUSTOMER DRAWING FOR REFERENCE ONLY WILL NOT BE UPDATED</p> <p>© COPYRIGHT 19- BY AMP HOLLAND B.V. ALL INTERNATIONAL RIGHTS RESERVED. AMP PRODUCTS MAY BE COVERED BY U.S. AND FOREIGN AND/OR PATENTS PENDING. THIS DRAWING IS UNPUBLISHED RELEASED FOR PUBLICATION , 19</p> <p>AMP AMP HOLLAND B.V. 's-Hertogenbosch, The Netherlands.</p> <p>NAME MICRO-MATCH SMD FEMALE TOP ENTRY (AUTOMATIC P&P)</p>
-	-	-	-	-	
-	-	-	-	-	
-	-	-	-	-	
-	-	-	-	-	
LTR.	REVISION RECORD	DR.	CHK.	DATE	DWG. No. 188275
DR.:	CHK.:	APP.:	REV. LTR.	SHEET	2 OF 2
DATE:	DATE:	DATE:	L	A3	

SEE SHEET 1