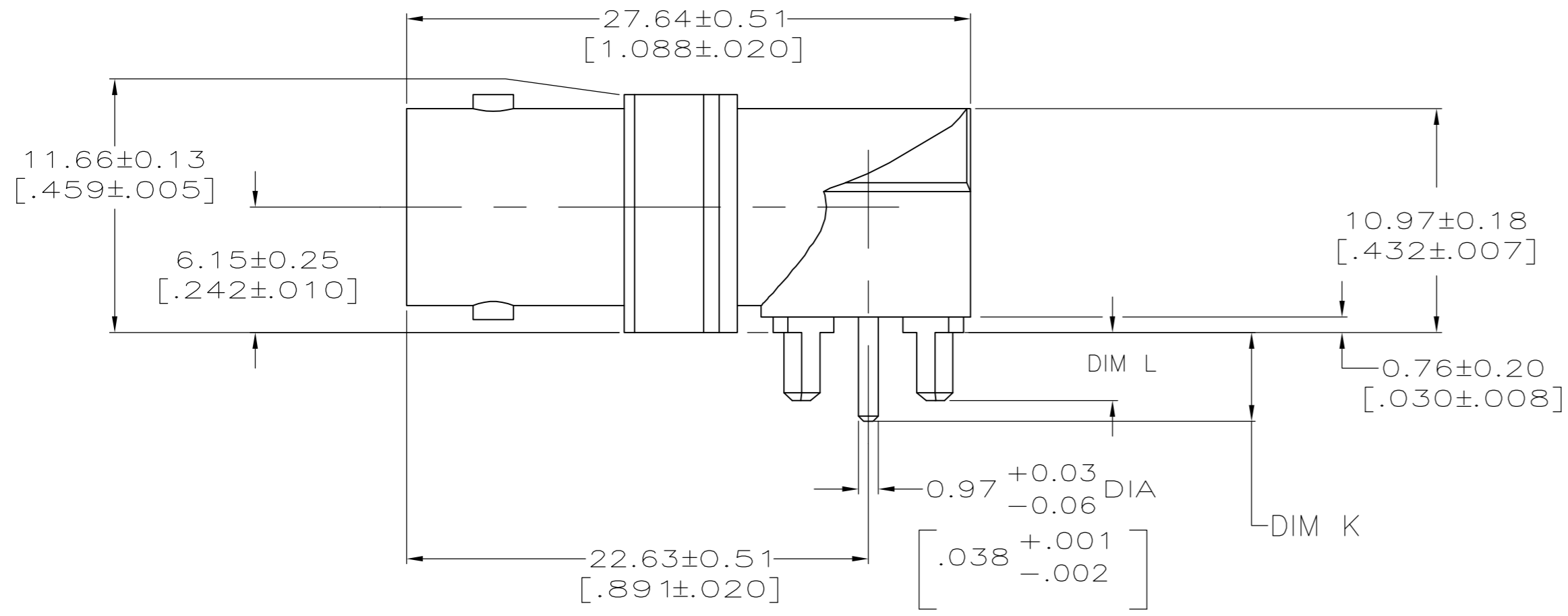
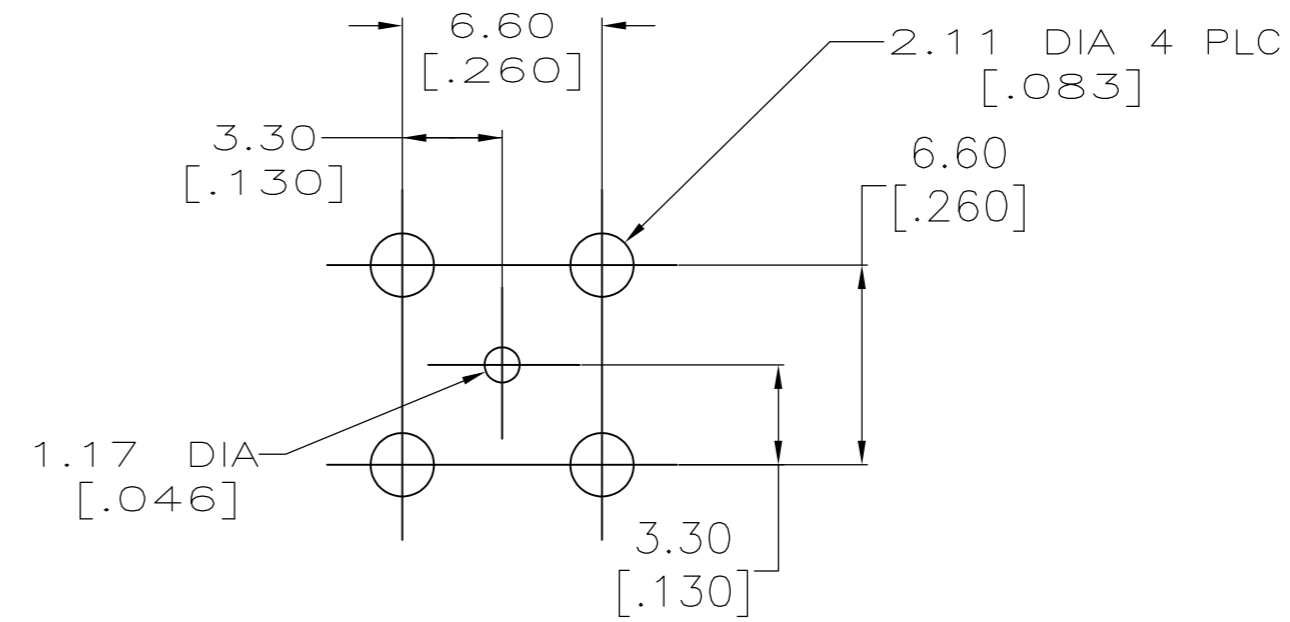
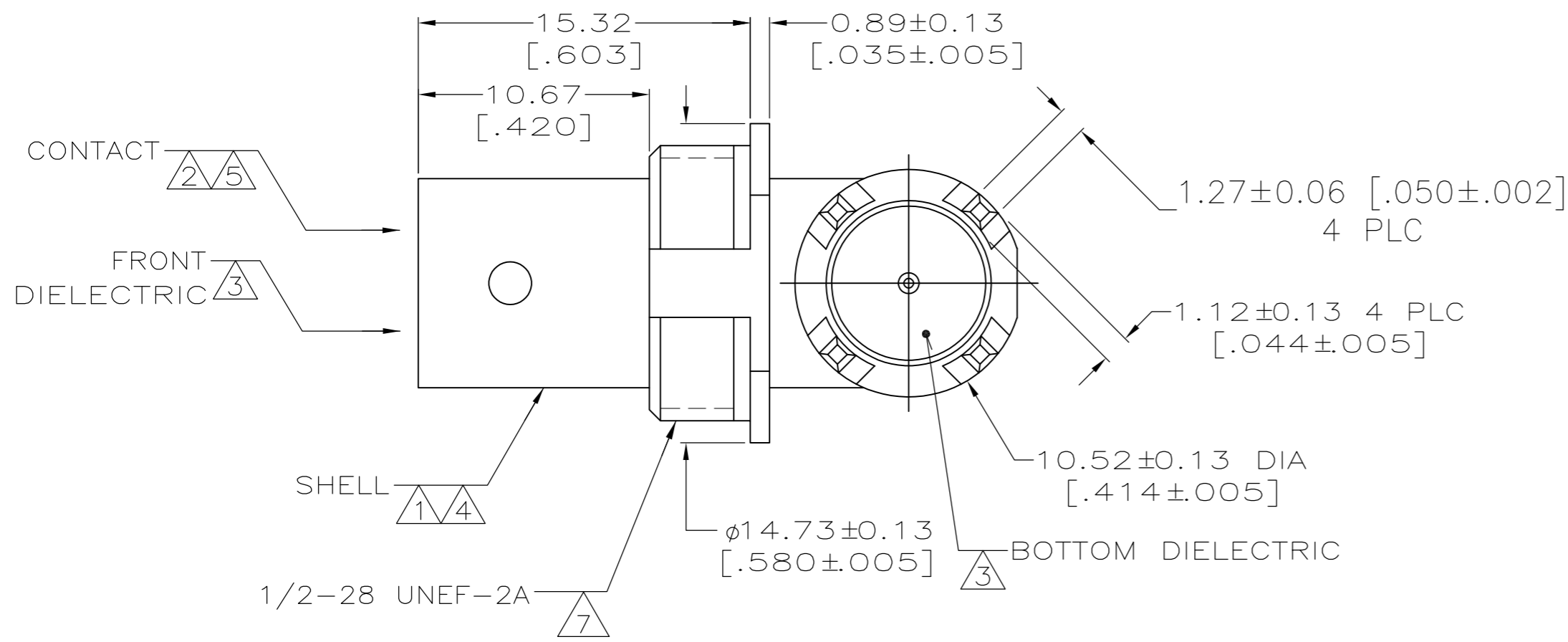


THIS DRAWING IS UNPUBLISHED. RELEASED FOR PUBLICATION  
 © COPYRIGHT BY TYCO ELECTRONICS CORPORATION. ALL RIGHTS RESERVED.

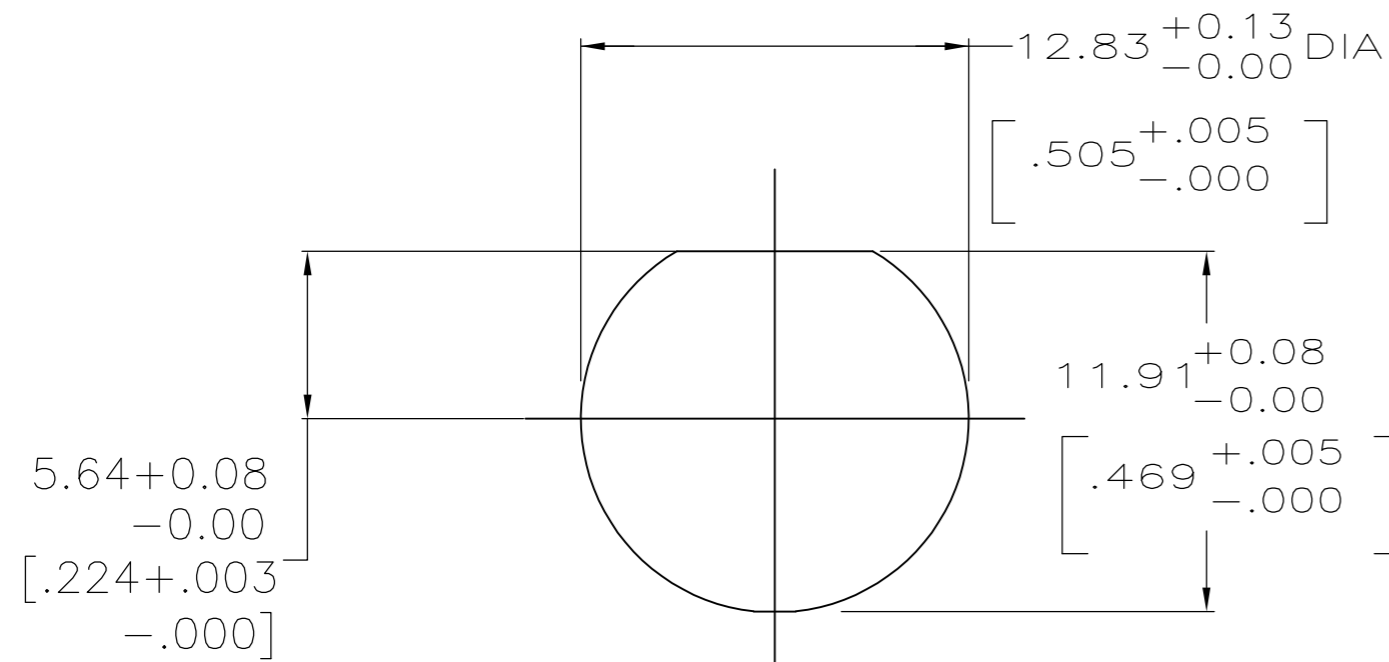
LOC	DIST	REVISIONS			
P	LTR	DESCRIPTION	DATE	DWN	APVD
AJ	00	B3	REV PER ECO-09-005796	06AUG2009	KF FB



- ① ZINC PER QQ-Z-363.
- ② BERYLLIUM COPPER PER QQ-C-530.
- ③ PTFE PER MIL-P-19468.
- ④ TIN PLATE PER ASTM B 545, 3.81 μm [.000150] MIN THICK.
- ⑤ GOLD PLATE PER MIL-G-45204, 0.76 μm [.000030] MINIMUM THICK.
- ⑥ INTERFACE PER MIL-C-39012.
- ⑦ MODIFIED MAJOR DIAMETER TO 12.29 [.484].



PCB CONFIGURATION



RECOMMENDED PANEL CUTOUT

	4.34±0.38 [.171±.015]	4.34±0.38 [.171±.015]	6274425-4
OBSOLETE	2.44+0.00/0.23 [.096+0.000-.009]	2.44+0.00/0.23 [.096+0.000-.009]	6274425-3
	3.33±0.20 [.131±.008]	4.34±0.38 [.171±.015]	6274425-2
	DIM L	DIM K	PART NUMBER

THIS DRAWING IS A CONTROLLED DOCUMENT.		DWN L. VARELA - DOCK5 02FEB2005	Tyco Electronics Corporation Harrisburg, PA 17105-3608	
DIMENSIONS: mm [INCHES]		CHK J. HAVENER 02FEB2005	NAME JACK, RIGHT ANGLE, 75 OHM, PCB, BNC	
TOLERANCES UNLESS OTHERWISE SPECIFIED:		APVD J. LIPPERT 02FEB2005	SIZE A2	
0 PLC ± -	1 PLC ± -	PRODUCT SPEC -	CAGE CODE 00779	DRAWING NO C=6274425
2 PLC ± 0.08 [.003]	3 PLC ± -	APPLICATION SPEC -	SCALE 4:1	SHEET 1 OF 1
4 PLC ± -	ANGLES ± -	WEIGHT -	REV B3	
MATERIAL SEE NOTES 1 - 4	FINISH SEE NOTES 5, 6	CUSTOMER DRAWING		