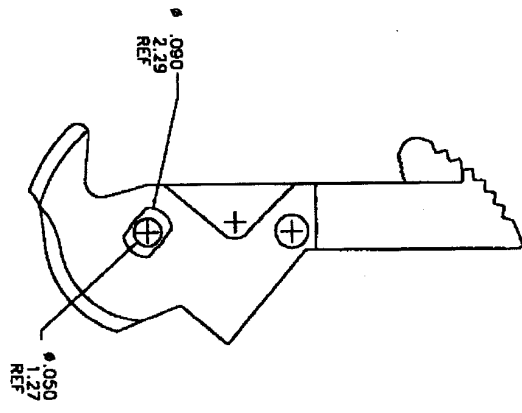
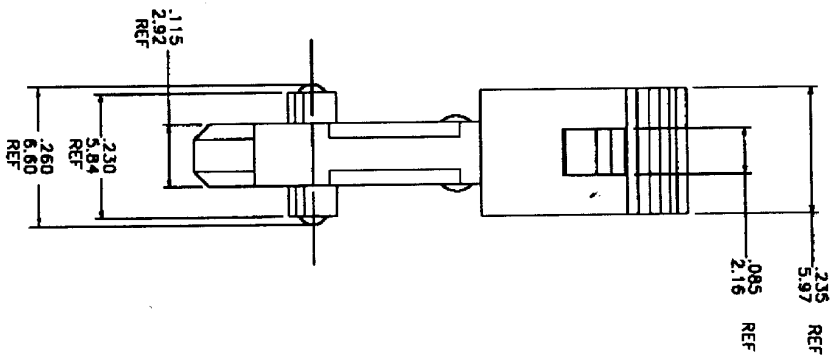
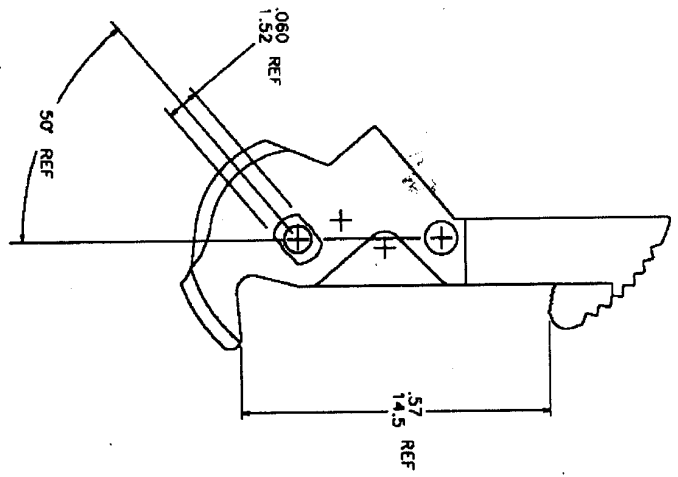


PRODUCT NUMBER	MATERIAL COLOR	MATERIAL TYPE
65824-001	BLUE	POLYESTER PET
65824-002	BLACK	POLYESTER PBT
65824-003	GRAY	POLYESTER PBT
65824-004	BLACK	POLYESTER PET
65824-005	BLACK	POLYPHENYLENE SULFIDE PPS
65824-006	BLUE	POLYESTER PBT
65824-007	BLACK	POLYESTER PCT



- NOTES
- 1 MATERIAL TYPE AND COLOR SEE TABLE
  - 2 FLAME RETARDANT PER UL94V-0 PART NUMBER FOR LEAD FREE OPTION.
  - 3 AND 17 OF THE PRODUCT MEETS EUROPEAN UNION DIRECTIVES AND OTHER
  - 4 CHARTER REGULATIONS AS DESCRIBED IN GS-26-006
  - 5 THE HOUSING WILL WITHSTAND EXPOSURE TO 260° PEAK TEMPERATURE FOR 15 SECONDS IN A WAVE SOLDER APPLICATION WITH A 12MM MINIMUM THICK CIRCUIT BOARD. SEE APPLICATION NOTES/PROCEEDURES IF THEY ARE AVAILABLE.

REV	EQ/DRW	BY	DATE	REVISIONS	SHEET INDEX	SH NO.	ISSUE	DATE	BY	DESCRIPTION
J	V23008	MSC	2/23/03			1				
K	V01708	MSC	11/27/03							
L	V01148	EPK	8/15/06							
M	N06-013	L/DNE	6/18/06							

REV	DATE	BY	DESCRIPTION
1	8/12/00		
2	8/12/00		
3	8/12/00		
4	8/12/00		
5	8/12/00		
6	8/12/00		
7	8/12/00		
8	8/12/00		
9	8/12/00		
10	10/1/01		

<b>BERG</b>	SEA-HORSE	1 of 1
ELECTRONICS	LA01	
	65824	