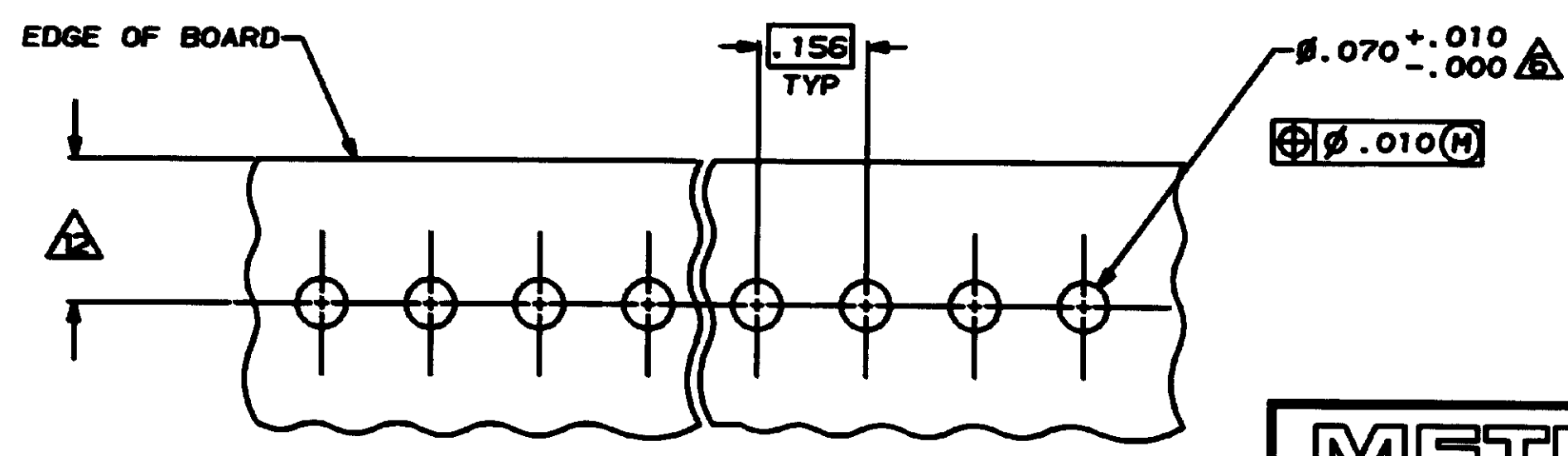
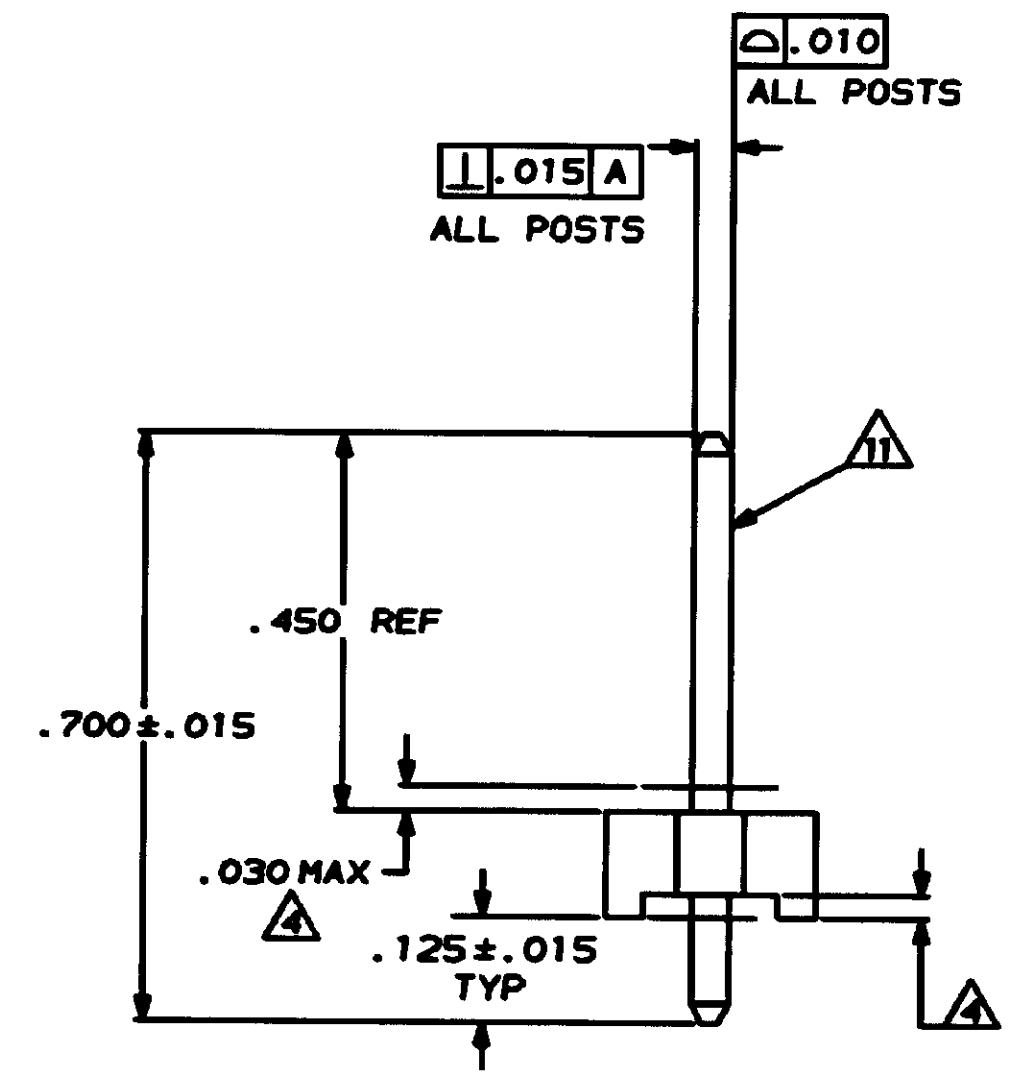
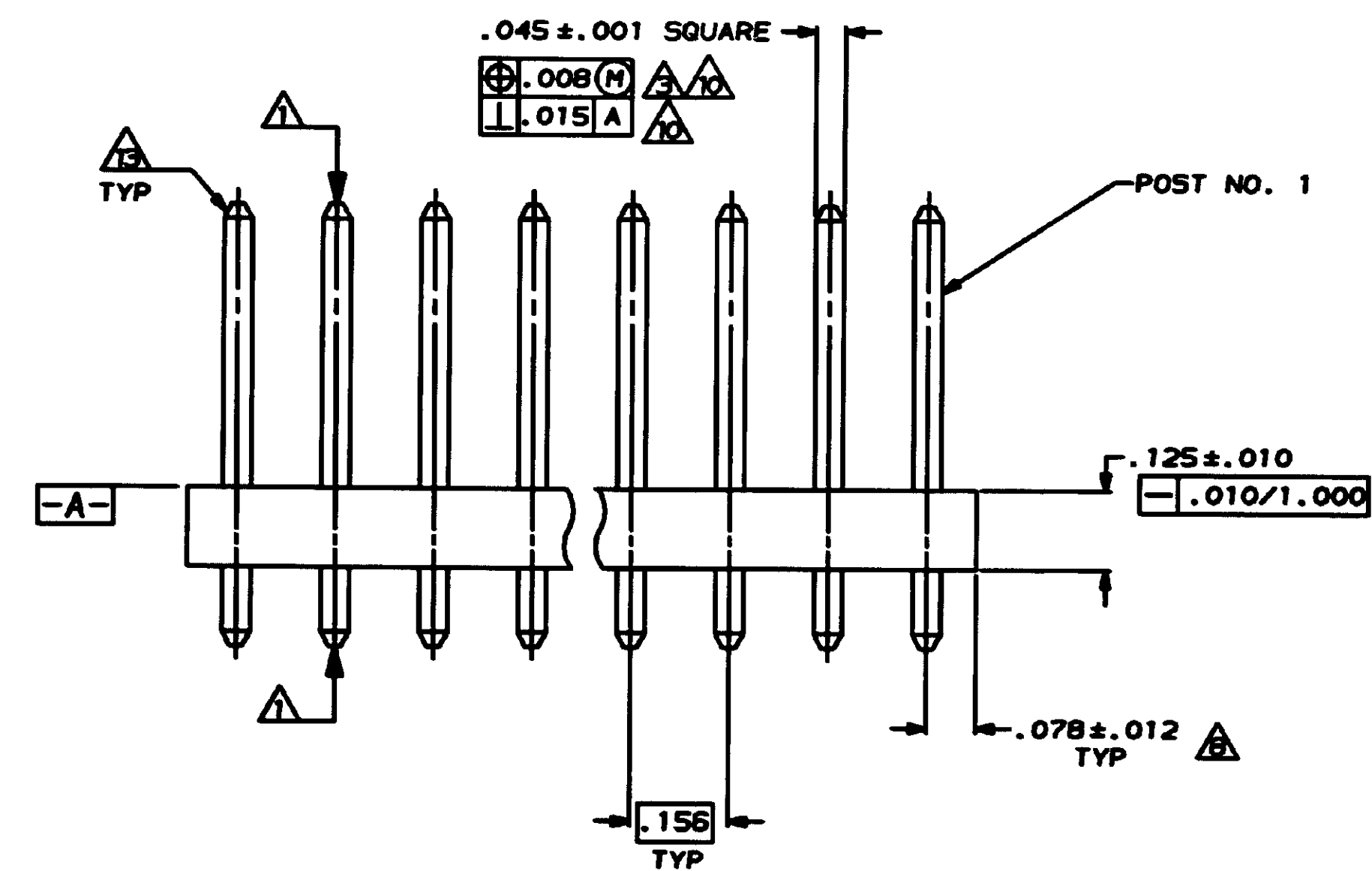
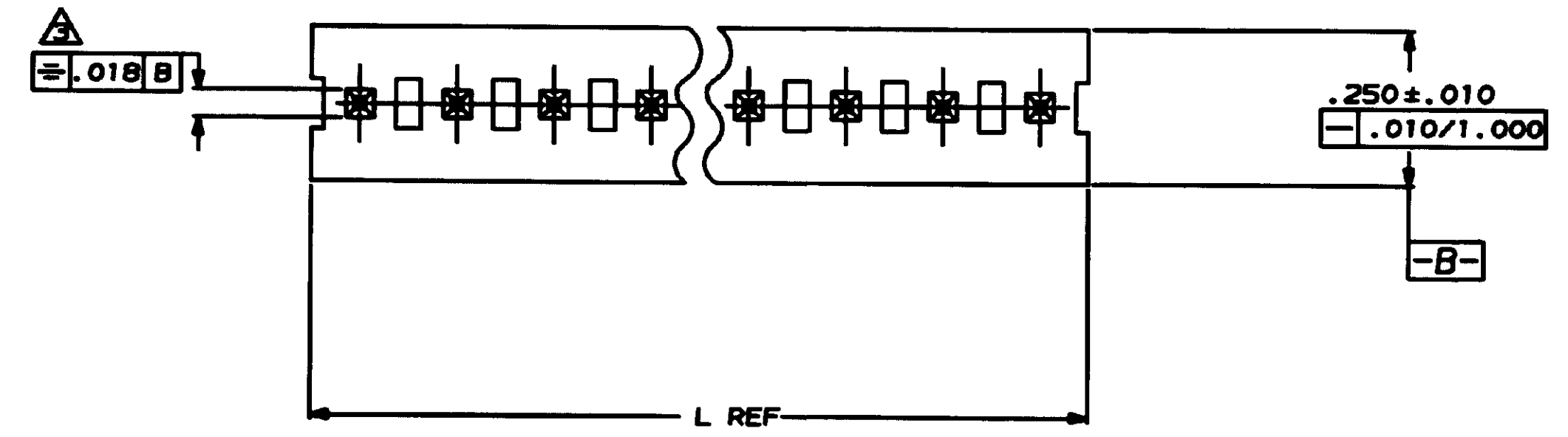


THIS DRAWING IS UNPUBLISHED. RELEASED FOR PUBLICATION. BY AMP INCORPORATED. ALL INFORMATIONAL RIGHTS RESERVED.

| REV | DATE    | DESCRIPTION             | BY | APPD |
|-----|---------|-------------------------|----|------|
| 1   | 1-28-84 | REV PER EC 0730-4347-93 | W  | EC   |

- ⚠ POST TO WITHSTAND 13 NEWTONS (3LBS.) MIN. AXIAL FORCE IN BOTH DIRECTIONS SHOWN WITHOUT DISLODGING.
- ⚠ TOLERANCES APPLY TO SOLDER SIDE OF BOARD.
- ⚠ MEASURED AT SURFACE -A-
- ⚠ PLASTIC FLASH PERMITTED IN THIS AREA.
- 5. PARTS COMPLY WITH AMP SOLDERABILITY SPEC. NO. 109-11-2.
- ⚠ ONE HOLE MAY BE UNDERSIZED (.065/.060 DIA.) FOR ASSEMBLY RETENTION DURING WAVE SOLDERING.
- ⚠ MATERIAL: HEADER-THERMOPLASTIC POLYESTER  
GLASS-FILLED 94V-0 (NATURAL)  
POST-COPPER ALLOY (TIN PLATED)
- ⚠ COORDINATE DIMENSION APPLIES FROM CENTER OF ACTUAL FEATURE.
- 9. PLASTIC BURRS CAUSED BY CUT-OFF TOOLING ARE PERMITTED WITHIN THE MAXIMUM TOLERANCE ENVELOPE.
- ⚠ POST TO BE MEASURED WHEN STRIP IS HELD FLAT.
- ⚠ POST MUST WITHSTAND TWO 90° BENDS AGAINST EXTRUSION WITHOUT BREAKING.
- ⚠ DIMENSION SHOULD BE .140 MIN WHEN MATING WITH A MTA 156 CONNECTOR ASSEMBLY OR A 5L-156 CONNECTOR ASSEMBLY.
- ⚠ PIN BURR OF .005 MAX. VERTICAL AND .003 MAX. HORIZONTAL PERMITTED AT POST TIPS ON BOTH ENDS.



| IN    | MM    | NUMBER OF POSITIONS | PART NUMBER |
|-------|-------|---------------------|-------------|
| 3.744 | 95.10 | 24                  | 2-640383-4  |
| 3.588 | 91.14 | 23                  | 2-640383-3  |
| 3.432 | 87.17 | 22                  | 2-640383-2  |
| 3.276 | 83.21 | 21                  | 2-640383-1  |
| 3.120 | 79.25 | 20                  | 2-640383-0  |
| 2.964 | 75.29 | 19                  | 1-640383-9  |
| 2.808 | 71.32 | 18                  | 1-640383-8  |
| 2.652 | 67.36 | 17                  | 1-640383-7  |
| 2.496 | 63.40 | 16                  | 1-640383-6  |
| 2.340 | 59.44 | 15                  | 1-640383-5  |
| 2.184 | 55.47 | 14                  | 1-640383-4  |
| 2.028 | 51.51 | 13                  | 1-640383-3  |
| 1.872 | 47.55 | 12                  | 1-640383-2  |
| 1.716 | 43.59 | 11                  | 1-640383-1  |
| 1.560 | 39.62 | 10                  | 1-640383-0  |
| 1.404 | 35.66 | 9                   | 640383-9    |
| 1.248 | 31.70 | 8                   | 640383-8    |
| 1.092 | 27.74 | 7                   | 640383-7    |
| .936  | 23.77 | 6                   | 640383-6    |
| .780  | 19.81 | 5                   | 640383-5    |
| .624  | 15.85 | 4                   | 640383-4    |
| .468  | 11.89 | 3                   | 640383-3    |
| .312  | 7.92  | 2                   | 640383-2    |

| IN   | MM   | IN    | MM    |
|------|------|-------|-------|
| .065 | 1.65 | -     | -     |
| .063 | 1.60 | -     | -     |
| .060 | 1.52 | -     | -     |
| .045 | 1.14 | -     | -     |
| .030 | 0.76 | 1.000 | 25.40 |
| .018 | 0.46 | .700  | 17.78 |
| .015 | 0.38 | .450  | 11.43 |
| .012 | 0.30 | .250  | 6.35  |
| .010 | 0.25 | .156  | 3.96  |
| .008 | 0.20 | .140  | 3.56  |
| .005 | 0.13 | .125  | 3.18  |
| .003 | 0.08 | .078  | 1.98  |
| .001 | 0.03 | .070  | 1.78  |

RECOMMENDED MOUNTING HOLE PATTERN FOR .063 THICK P.C. BOARD

**METRIC**

THIS DRAWING IS A CONTROLLED DOCUMENT FOR AMP INCORPORATED. IT IS SUBJECT TO CHANGE AND THE CONTROLLING ORGANIZATION SHOULD BE CONTACTED FOR THE LATEST REVISION.

|   |   |  |
|---|---|--|
| DO NOT SCALE PRINT. UNLESS SPECIFIED DIMENSIONS IN INCHES TOLERANCES ON:<br>2 PLC DEC ± .005<br>3 PLC DEC ± .008<br>ANGLES ± .5 | OR 10-14-82<br>R. LEHIS<br>CNC 10-14-82<br>R. SHINS<br>APPD 1-14-83<br>R. SPEER<br>APPD 1-14-83<br>R. SPEER<br>PRODUCT SPEC | PART NO  |
|   |   | AMP Incorporated<br>Murrysburg, PA 17105-3808  |
|   |   | NAME<br>MTA-156 HEADER ASSEMBLY,<br>PLAIN, STRAIGHT, .045<br>SQUARE POST, TIN PLATED |
|   |   | SIZE CASE CODE DRAWING NO<br>D 00779 C-640383  |
|   |   | SCALE SHEET<br>5:1 1 OF 1  |

CUSTOMER DRAWING