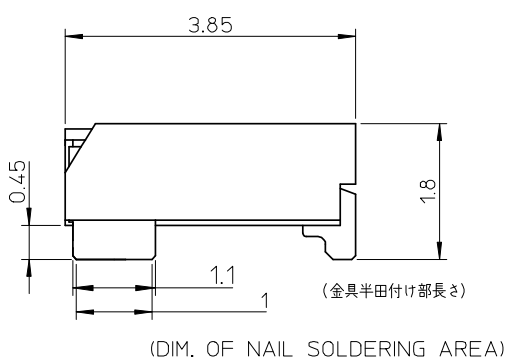
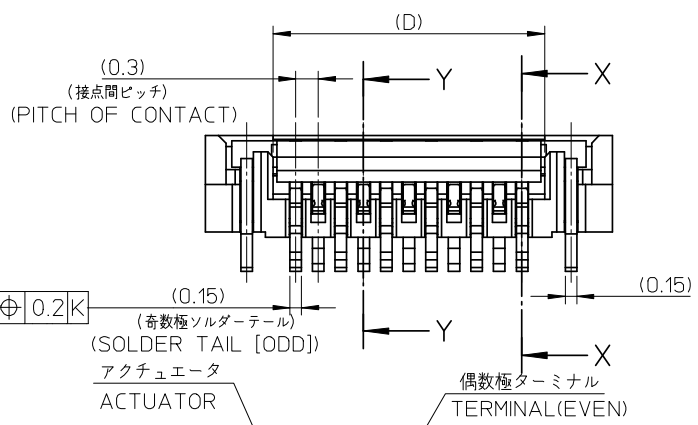
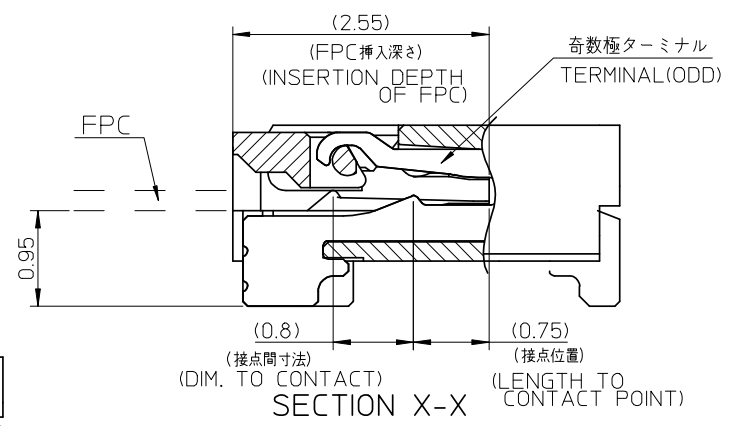
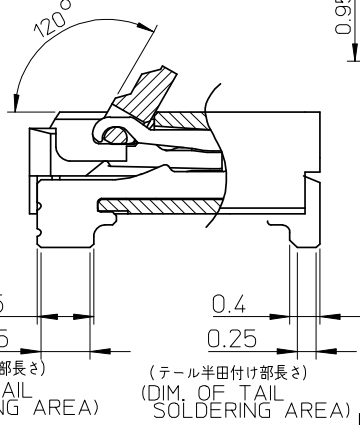
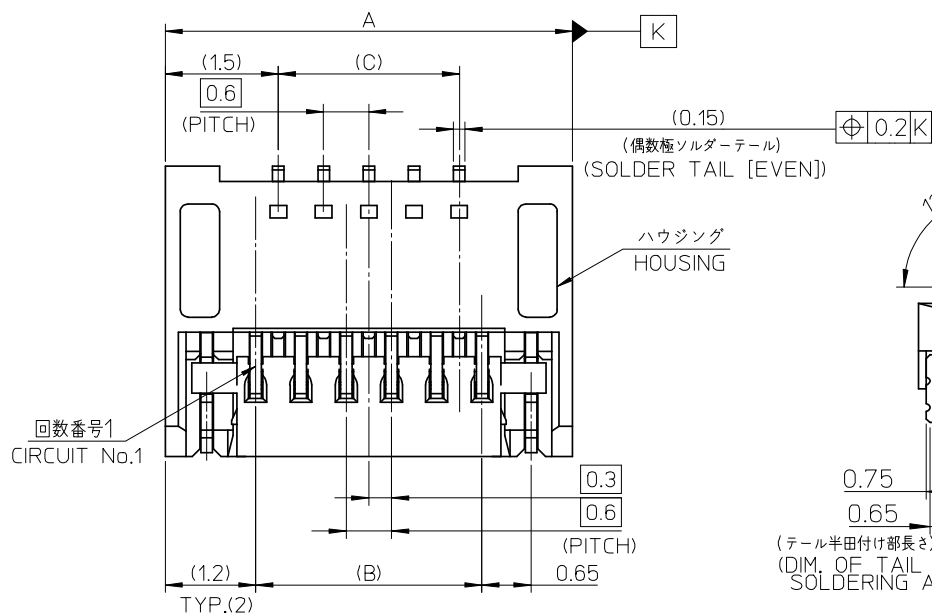
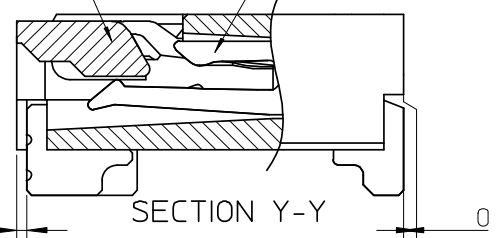


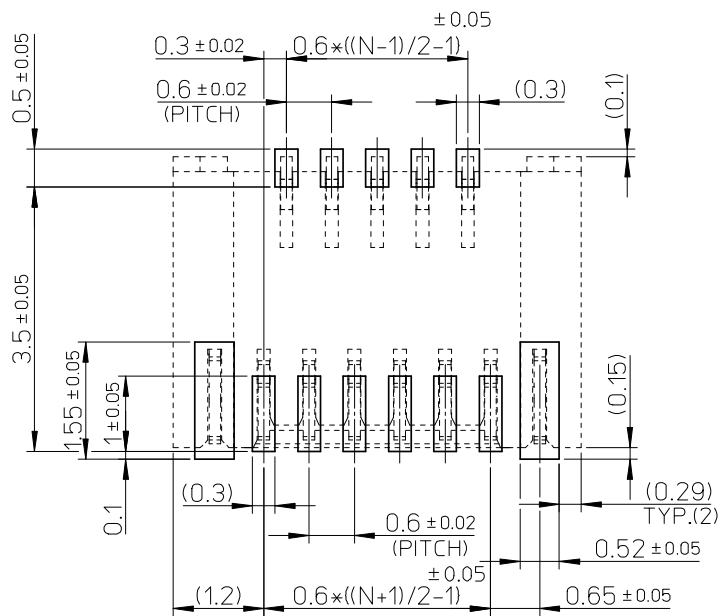
10 9 8 7 6 5 4 3 2 1



| | | | | | | |
|------|------|------|------|-----------------------------|--------------|---------|
| 15.6 | 14.4 | 15.0 | 17.4 | 501912-5190 | 501912-5110 | 51 |
| 14.4 | 13.2 | 13.8 | 16.2 | 501912-4790 | 501912-4710 | 47 |
| 13.8 | 12.6 | 13.2 | 15.6 | 501912-4590 | 501912-4510 | 45 |
| 12.6 | 11.4 | 12.0 | 14.4 | 501912-4190 | 501912-4110 | 41 |
| 12.0 | 10.8 | 11.4 | 13.8 | 501912-3990 | 501912-3910 | 39 |
| 11.4 | 10.2 | 10.8 | 13.2 | 501912-3790 | 501912-3710 | 37 |
| 10.8 | 9.6 | 10.2 | 12.6 | 501912-3590 | 501912-3510 | 35 |
| 10.2 | 9.0 | 9.6 | 12.0 | 501912-3390 | 501912-3310 | 33 |
| 8.4 | 7.2 | 7.8 | 10.2 | 501912-2790 | 501912-2710 | 27 |
| 7.8 | 6.6 | 7.2 | 9.6 | 501912-2590 | 501912-2510 | 25 |
| 7.2 | 6.0 | 6.6 | 9.0 | 501912-2390 | 501912-2310 | 23 |
| 6.6 | 5.4 | 6.0 | 8.4 | 501912-2190 | 501912-2110 | 21 |
| 4.8 | 3.6 | 4.2 | 6.6 | 501912-1590 | 501912-1510 | 15 |
| D | C | B | A | EMBOSSED-TAPE PKG ORDER No. | MATERIAL No. | CIRCUIT |



| | | | | | | |
|---|---------------------------------------|-------------|-----------------|--------------------|---|------------------------|
| REVISED EC NO: J2008-3324 DRWN: HTAGAMI 2008/03/25 CHKD: KAKAHASHI 2008/04/07 APPR: KAKAHASHI 2008/04/07 | GENERAL TOLERANCES (UNLESS SPECIFIED) | | DIMENSION STYLE | SCALE | DESIGN UNITS | THIRD ANGLE PROJECTION |
| | | | MM ONLY | 15:1 | METRIC | |
| | 10 UNDER | ± 0.2 | DRAWN BY | DATE | TITLE | |
| | 10 OVER 30 UNDER | ± 0.25 | M. HAYASHI | 2005/07/28 | 0.3 FPC CONN E/O HSG ASSY (HGT=1.8MM) GOLDPLATING | |
| | 30 OVER | ± 0.3 | H. HIRATA | 2005/07/28 | | |
| ANGULAR ±3° | | APPROVED BY | DATE | MOLEX INCORPORATED | | |
| DRAFT WHERE APPLICABLE MUST REMAIN WITHIN DIMENSIONS | | M. SASAO | 2005/07/28 | MATERIAL NO. | DOCUMENT NO. | SHEET NO. |
| | | SEE TABLE | | SD-501912-001 | 1 OF 2 | |
| THIS DRAWING CONTAINS INFORMATION THAT IS PROPRIETARY TO MOLEX INCORPORATED AND SHOULD NOT BE USED WITHOUT WRITTEN PERMISSION | | | | | | |

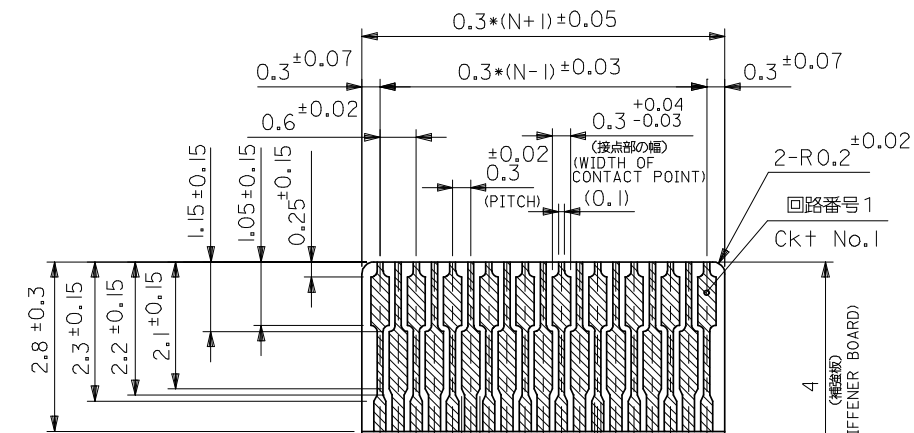


参考基板レイアウト図
(マウント面)
(MOUNTING SIDE)

注記 NOTES

- 使用材料 MATFRIAL
 ハウジング : 耐熱性樹脂 ガラス充填 UL94V-0
 HOUSING : HEAT RESISTANCE POLYMER (GLASS FILLED) UL94V-0
 アクチュエータ : 耐熱性樹脂 ガラス充填 UL94V-0
 ACTUATOR : HEAT RESISTANCE POLYMER (GLASS FILLED) UL94V-0
 ターミナル : 銅合金 (t=0.15), ニッケル下地金メッキ
 TERMINAL : COPPER ALLOY, GOLD OVER NICKEL PLATING.
 金具 : 銅合金 (t=0.15), ニッケル下地スズメッキ
 FITTING NAIL : COPPER ALLOY, TIN OVER NICKEL PLATING.
 ハウジングに黒点がある場合が有りますが、問題はありません。

- ソルダーテール半田付け面、及び金具半田付け面の平坦度 : 0.1mm MAXIMUM.
 COPLANARITY OF SOLDER TAILS AND FITTING NAILS TO BE 0.1mm MAXIMUM.
- ELV AND RoHS COMPLIANT.



適合FPC推奨寸法
APPLICABLE FPC
RECOMMENDED DIMENSION
(仕上がり厚さ: 0.2 ± 0.03)
(THICKNESS: 0.2 ± 0.03)

FPCについて:

打抜き方向は導体側から補強板側を推奨いたします。
 導体部については軟銅箔35マイクロメートルまたは50マイクロメートルを推奨致します。
 補強フィルム材質はポリイミドを推奨します。
 接着剤は熱硬化接着剤を推奨します。

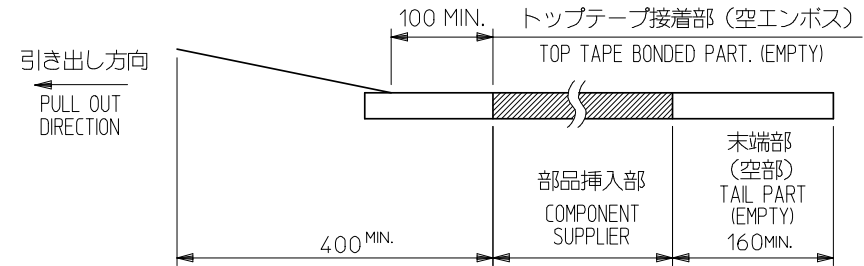
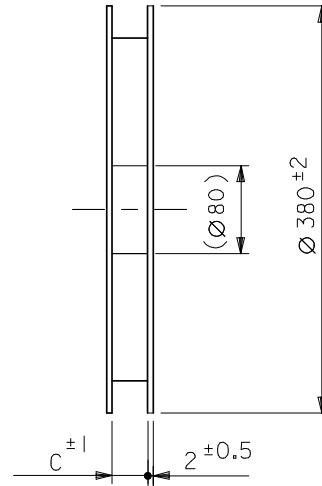
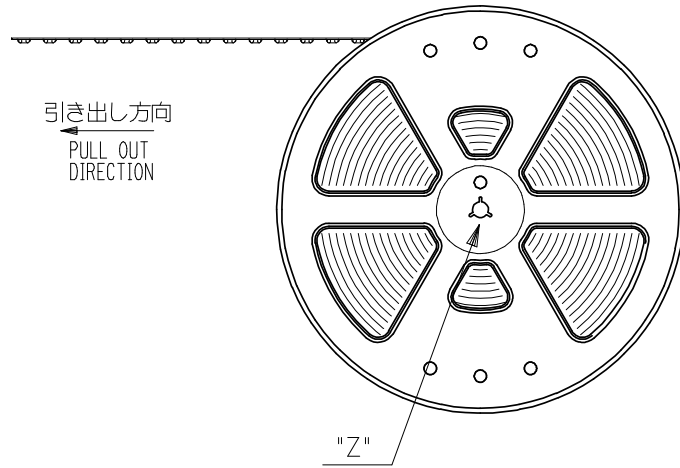
ABOUT FPC

RECOMMENDED PUNCHER DIRECTION : FROM CONDUCTOR SIDE TO STIFFENER FILM SIDE.
 RECOMMENDED CONDUCTOR SPEC :
 THICKNESS OF SOFT COPPER FOIL : 35 MICROMETER OR 50 MICROMETER
 RECOMMENDED MATERIAL :
 STIFFENER FILM : POLYIMIDE
 BONDING AGENT : THERMOSETTING BONDING AGENT

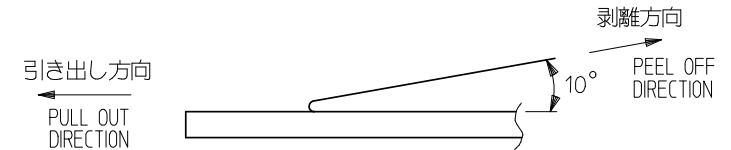
| | | | | | | | | | | |
|--|-------------|--|-------|-----------------------------|--------------------|--|------------------------|---|--|--|
| REVISED EC NO: J2008-3324 DRWN: HTAGAMI 2008/03/25 CHKD: TAKAHASHI 2008/04/07 APPR: KAKAHASHI 2008/04/07 | DESCRIPTION | GENERAL TOLERANCES (UNLESS SPECIFIED) | | DIMENSION STYLE MM ONLY | | SCALE ---- | DESIGN UNITS METRIC | THIRD ANGLE PROJECTION | | |
| | | 10 UNDER | ±0.2 | DRAWN BY M. HAYASHI | DATE 2005/07/28 | TITLE 0.3 FPC CONN E/O HSG ASSY (HGT=1.8MM) GOLDPLATING | | | | |
| | | 10 OVER 30 UNDER | ±0.25 | CHECKED BY H. HIRATA | DATE 2005/07/28 | MOLEX INCORPORATED | | | | |
| | | 30 OVER | ±0.3 | APPROVED BY M. SASAO | DATE 2005/07/28 | DOCUMENT NO. SD-501912-001 | | | | |
| ANGULAR ±3 ° | | DRAFT WHERE APPLICABLE MUST REMAIN WITHIN DIMENSIONS | | MATERIAL NO. SEE SHEET 1 | | SHEET NO. 2 OF 2 | | THIS DRAWING CONTAINS INFORMATION THAT IS PROPRIETARY TO MOLEX INCORPORATED AND SHOULD NOT BE USED WITHOUT WRITTEN PERMISSION | | |

NOTES

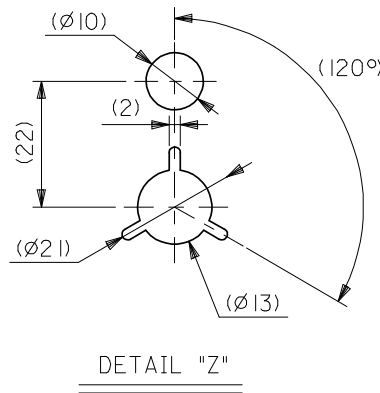
- 製品詳細寸法は製品単体図面を参照して下さい。
FOR DETAIL OF CONNECTOR DIMENSIONS, PLEASE SEE THE DRAWING OF CONNECTOR ITSELF (NOT PACKAGED).
- 梱包数量：3000個/リール
NUMBER OF CONNECTORS : 3000PCS/REEL
- リードテープ長さ LEAD TAPE LENGTH



- トップテープの剥離強度：60±35gf (0.25N～0.93N) (剥離方向は下図参照) 尚、本規格値は出荷時に適用。(但し、輸送時に剥離が発生しないこと。)
PEELING OFF FORCE OF TOP TAPE : 65gf±30gf (0.25N～0.93N) (PEELING DIRECTION AS SHOWN IN FOLLOWING FIG.) THIS REQUIREMENT SHOULD BE APPLIED AT SHIPMENT. PEEL OFF SHOULD NOT BE ALLOWED, DURING TRANSPORTATION.



- 材料(MATERIAL)
キャリアテープ (CARRIER TAPE) : ポリスチレン (POLYSTYREN)
トップテープ (TOP TAPE) : PET, PE, PEF
リール(REEL) : ポリスチレン(PS) <リサイクル材を含む>
POLYSTYREN(PS) <RECYCLE MATERIAL CONTAINED>
- C寸法は SHEET 2-4を参照下さい。
SEE SHEET 2-4(DIMENSION C).
- ELV AND RoHS COMPLIANT.



DETAIL "Z"

| | | | | | | | |
|--|---------------------------------------|------------|---|--------------------|--|------------------------|------------------------|
| REVISED EC NO: J2008-3324 DRAWN: TAGAMI 2008/03/25 CHKD: TAKAHASHI 2008/04/07 APPR: KITAKAHASHI 2008/04/07 | GENERAL TOLERANCES (UNLESS SPECIFIED) | | DIMENSION STYLE MM ONLY | | SCALE --- | 501912-**90 | MODEL NO. |
| | 10 UNDER | ±0.2 | DRAWN BY M. HAYASHI | DATE 2005/10/11 | TITLE | DESIGN UNITS METRIC | THIRD ANGLE PROJECTION |
| | 10 OVER 30 UNDER | ±0.25 | CHECKED BY H. HIRATA | DATE 2005/10/11 | EMBSTP PKG FOR 0.3 FPC CONN (HGT=1.8MM) GOLD PLATING | MOLEX INCORPORATED | SHEET NO. 1 OF 4 |
| | 30 OVER | ±0.3 | APPROVED BY M. SASAO | DATE 2005/10/11 | | | |
| | ANGULAR | ±3 ° | MATERIAL NO. SEE TABLE | | DOCUMENT NO. SD-501912-002 | | |
| DRAFT WHERE APPLICABLE MUST REMAIN WITHIN DIMENSIONS | | SIZE A3 | THIS DRAWING CONTAINS INFORMATION THAT IS PROPRIETARY TO MOLEX INCORPORATED AND SHOULD NOT BE USED WITHOUT WRITTEN PERMISSION | | | | |

F

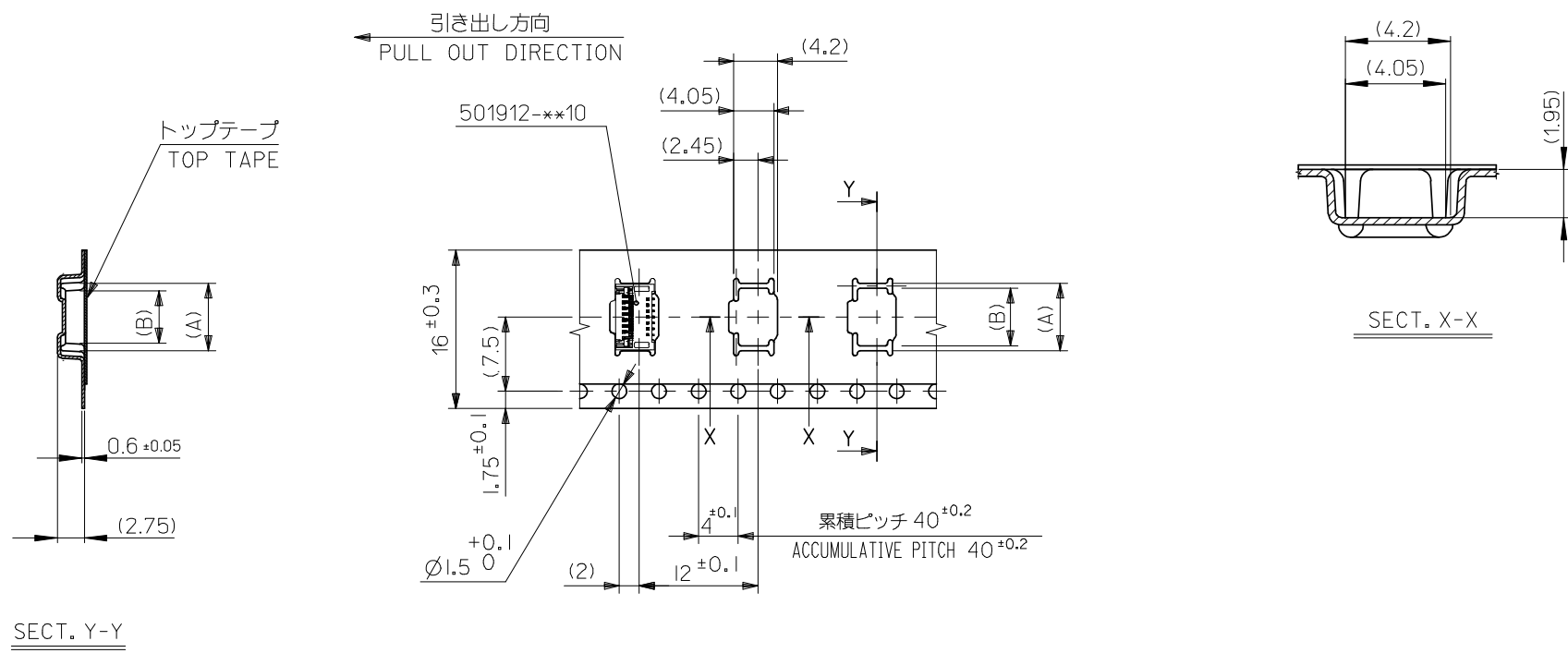
E

D

C

B

A



16 mm幅キャリアテープ
16mm WIDTH CARRIER TAPE

| | | | | | |
|--------------------------------|------|-----|-----|----------------------|-----------|
| 16 | 17.5 | 4.6 | 6.8 | 501912-1590 | 15 |
| キャリアテープ幅 CARRIER TAPE WIDTH | C | (B) | (A) | 製品番号 MATERIAL No. | 極数 CK+ |
| | | | | 501912-**-90 | MODEL No. |

| | | | | | | | | |
|---|---------------------------------------|--|----------------------------|--------------------|---|------------------------|------------------------|--|
| REVISED EC NO: J2008-3324 DRAWN: TAGAMI 2008/03/25 CH'KD: TAKAHASHI 2008/04/07 APPR: KITAHASHI 2008/04/07 | GENERAL TOLERANCES (UNLESS SPECIFIED) | | DIMENSION STYLE MM ONLY | | SCALE --- | DESIGN UNITS METRIC | THIRD ANGLE PROJECTION | |
| | 10 UNDER | ±0.2 | DRAWN BY M. HAYASHI | DATE 2005/10/11 | TITLE EMBSTP PKG FOR 0.3 FPC CONN (HGT=1.8MM) GOLD PLATING | | | |
| | 10 OVER 30 UNDER | ±0.25 | CHECKED BY H. HIRATA | DATE 2005/10/11 | | | | |
| | 30 OVER | ±0.3 | APPROVED BY M. SASAO | DATE 2005/10/11 | MOLEX INCORPORATED | | | |
| | ANGULAR | ±3 ° | MATERIAL NO. SEE TABLE | | | | | |
| DRAFT WHERE APPLICABLE MUST REMAIN WITHIN DIMENSIONS | | THIS DRAWING CONTAINS INFORMATION THAT IS PROPRIETARY TO MOLEX INCORPORATED AND SHOULD NOT BE USED WITHOUT WRITTEN PERMISSION | | | | | | |

F

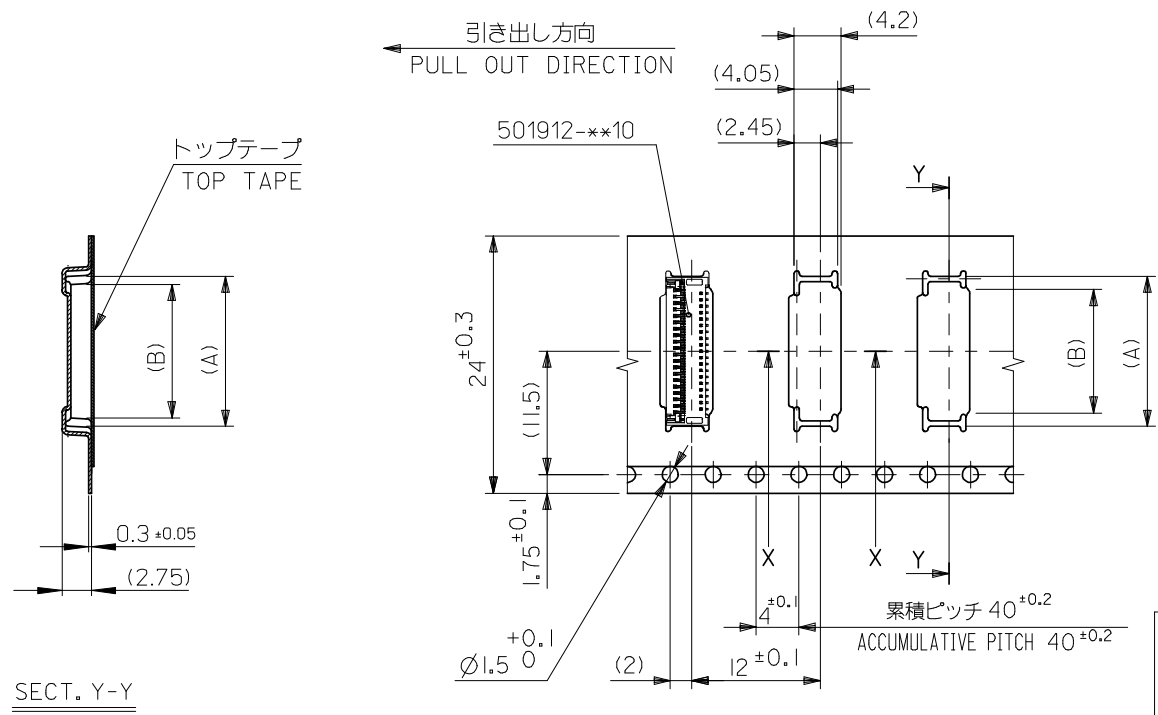
E

D

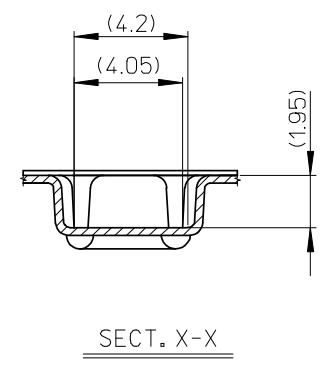
C

B

A



SECT. Y-Y

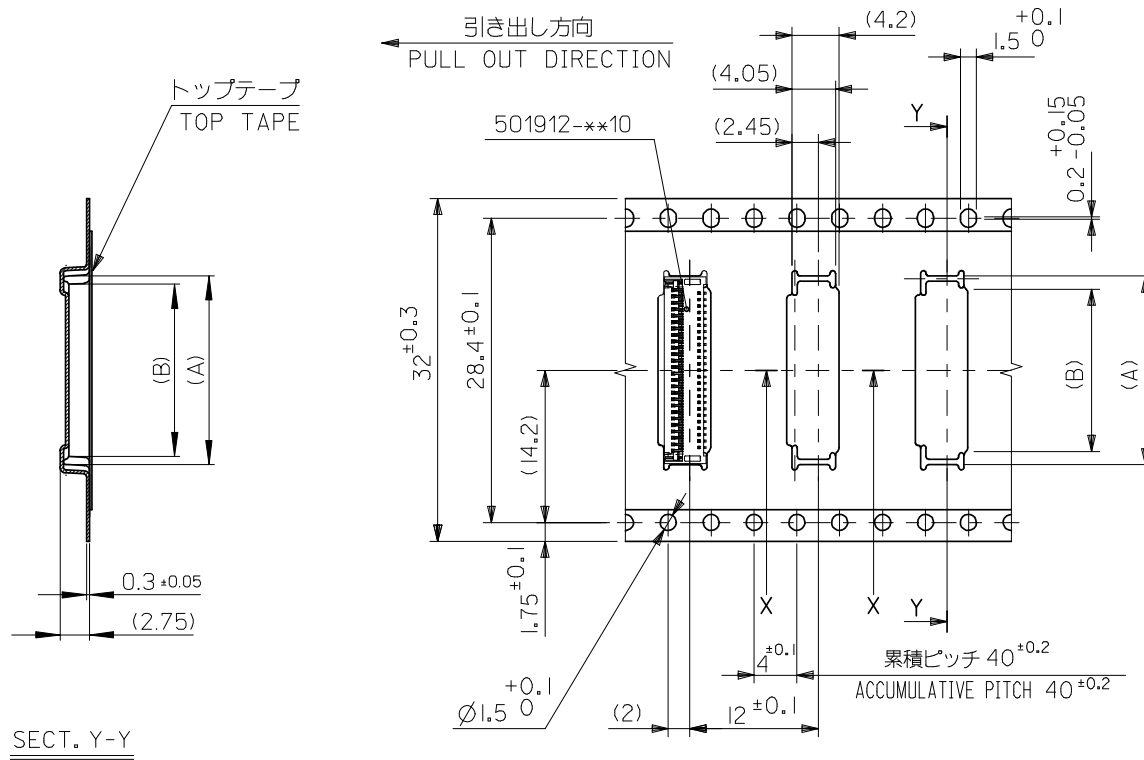


SECT. X-X

24mm幅キャリアテープ
24mm WIDTH CARRIER TAPE

| | | | | | | |
|--------------------------------|------|------|------|--------------|----------------------|-----------|
| 24 | 25.5 | 12.4 | 14.6 | 501912-4190 | 41 | |
| | | 11.8 | 14.0 | 501912-3990 | 39 | |
| | | 11.2 | 13.4 | 501912-3790 | 37 | |
| | | 10.6 | 12.8 | 501912-3590 | 35 | |
| | | 10.0 | 12.2 | 501912-3390 | 33 | |
| | | 8.2 | 10.4 | 501912-2790 | 27 | |
| | | 7.6 | 9.8 | 501912-2590 | 25 | |
| | | 7.0 | 9.2 | 501912-2390 | 23 | |
| | | 6.4 | 8.6 | 501912-2190 | 21 | |
| キャリアテープ幅 CARRIER TAPE WIDTH | | C | (B) | (A) | 製品番号 MATERIAL No. | 極数 CK+ |
| | | | | 501912-**-90 | MODEL No. | |

| | | | | | | | | |
|---|---------------------------------------|--|----------------------------|--------------------|---|------------------------|------------------------|--|
| REVISED EC NO: J2008-3324 DRWN:HTAGAMI 2008/03/25 CHKD:KTAKAHASHI 2008/04/07 APPR:KTAKAHASHI 2008/04/07 | GENERAL TOLERANCES (UNLESS SPECIFIED) | | DIMENSION STYLE MM ONLY | | SCALE --- | DESIGN UNITS METRIC | THIRD ANGLE PROJECTION | |
| | 10 UNDER | ±0.2 | DRAWN BY M. HAYASHI | DATE 2005/10/11 | TITLE EMBSTP PKG FOR 0.3 FPC CONN (HGT=1.8MM) GOLD PLATING | | | |
| | 10 OVER 30 UNDER | ±0.25 | CHECKED BY H. HIRATA | DATE 2005/10/11 | | | | |
| | 30 OVER | ±0.3 | APPROVED BY M. SASAO | DATE 2005/10/11 | MOLEX INCORPORATED | | | |
| | ANGULAR | ±3 ° | MATERIAL NO. SEE TABLE | | | | | |
| DRAFT WHERE APPLICABLE MUST REMAIN WITHIN DIMENSIONS | | THIS DRAWING CONTAINS INFORMATION THAT IS PROPRIETARY TO MOLEX INCORPORATED AND SHOULD NOT BE USED WITHOUT WRITTEN PERMISSION | | | | | | |



32mm幅キャリアテープ
32mm WIDTH CARRIER TAPE

| | | | | | |
|--------------------------------|------|------|------|----------------------|-----------|
| 32 | 33.5 | 15.4 | 17.6 | 501912-5190 | 51 |
| | | 14.2 | 16.4 | 501912-4790 | 47 |
| | | 13.6 | 15.8 | 501912-4590 | 45 |
| キャリアテープ幅 CARRIER TAPE WIDTH | C | (B) | (A) | 製品番号 MATERIAL No. | 極数 CK+ |
| | | | | 501912-**-90 | MODEL No. |

| | | | | | | | | |
|--|---------------------------------------|-----------|----------------------------|--------------------|---|------------------------|------------------------|--|
| REVISED EC NO: J2008-3324 T DRWN: HTAGAMI 2008/03/25 CH'KD: KTAKAHASHI 2008/04/07 APPR: KTAKAHASHI 2008/04/07 REV DESCRIPTION | GENERAL TOLERANCES (UNLESS SPECIFIED) | | DIMENSION STYLE MM ONLY | | SCALE --- | DESIGN UNITS METRIC | THIRD ANGLE PROJECTION | |
| | 10 UNDER | ±0.2 | DRAWN BY M. HAYASHI | DATE 2005/10/11 | TITLE EMBSTP PKG FOR 0.3 FPC CONN (HGT=1.8MM) GOLD PLATING | | | |
| | 10 OVER 30 UNDER | ±0.25 | CHECKED BY H. HIRATA | DATE 2005/10/11 | | | | |
| | 30 OVER | ±0.3 | APPROVED BY M. SASAO | DATE 2005/10/11 | MOLEX INCORPORATED | | | |
| | ANGULAR | ±3 ° | MATERIAL NO. | DOCUMENT NO. | | | | |
| DRAFT WHERE APPLICABLE MUST REMAIN WITHIN DIMENSIONS | | SEE TABLE | | SD-501912-002 | | 4 OF 4 | | |
| SIZE A3 THIS DRAWING CONTAINS INFORMATION THAT IS PROPRIETARY TO MOLEX INCORPORATED AND SHOULD NOT BE USED WITHOUT WRITTEN PERMISSION | | | | | | | | |