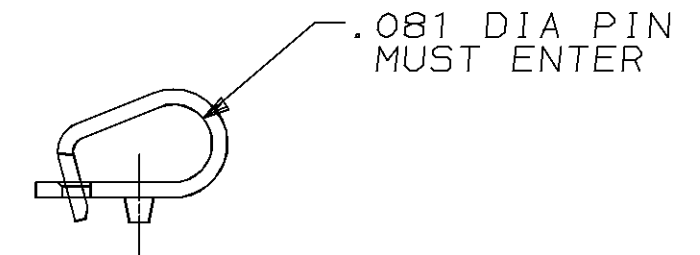
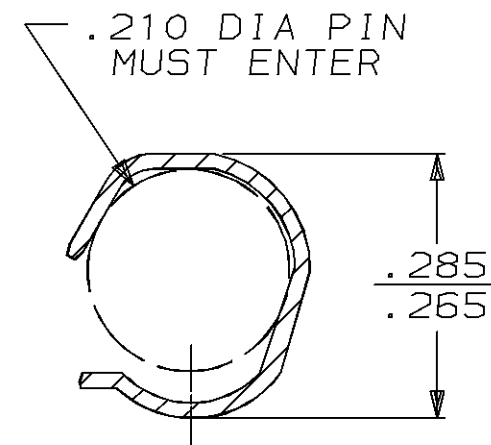
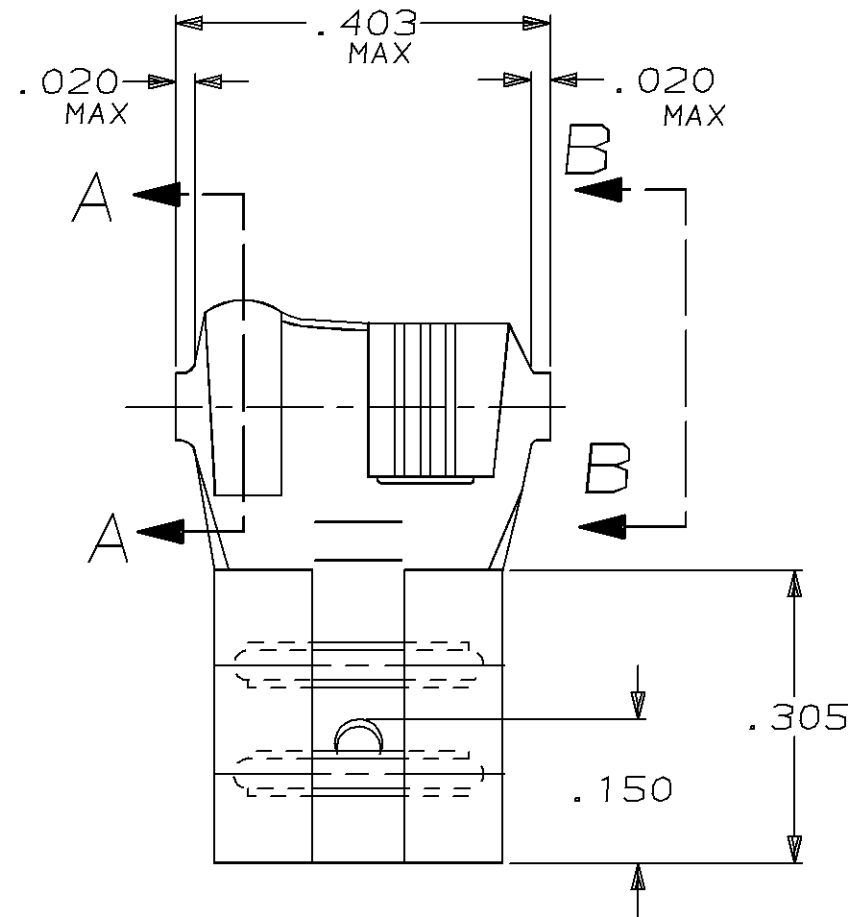


THIS DRAWING IS UNPUBLISHED. RELEASED FOR PUBLICATION, 19
 © COPYRIGHT 19 BY AMP INCORPORATED, HARRISBURG, PA. ALL INTERNATIONAL RIGHTS RESERVED. AMP PRODUCTS MAY BE COVERED BY U.S. AND FOREIGN PATENTS AND/OR PATENTS PENDING.

LOC	DIST	P	F	ZONE	LTR	DESCRIPTION	DATE	APPROVED
AF	50				A	REV PER 0550-94	11/2/94	JR/PD



SECTION A-A

VIEW B-B

- 1 WIRE AND INSULATION BARRELS TO BE PREFORMED AS SHOWN IN CUT OFF OPERATION.
- 2 SUPPLIED IN LOOSE PIECE.
- 3 FOREIGN PRODUCTION ONLY.
- 4 -2 PART IS MADE FROM 41801
- 5 -3 PART IS MADE FROM 41802.

TIN	2.79-5.33 [.110-.210]	0.8-3.0mm ² [18-12]	0.81 [.032]	42232-3
-				42232-2
FINISH	INSULATION RANGE	WIRE SIZE	±0.025 [±.001] TAB THK	PART NO
UNLESS OTHERWISE SPECIFIED DIMENSIONS ARE IN MM TOLERANCES ON: 2 PL DEC ± - 3 PL DEC ± .015 ANGLES ± -	DR 11/16/93 JR RUTH CHK 11/16/93 MS FEHER APPD 11/16/93 P DESANTIS	AMP AMP INCORPORATED Harrisburg, Pa. 17105 NAME RECEPTACLE, FASTON, TM FLAG, .250 SERIES		
MATERIAL T4 BRASS	APPD 11/16/93 R REINER PRODUCT SPEC	SIZE B	FSCM NO 00779	DRAWING NO 42232
FINISH SEE TABLE	APPLICATION SPEC -	SCALE NTS	SHEET 1 OF 1	
	WEIGHT -			