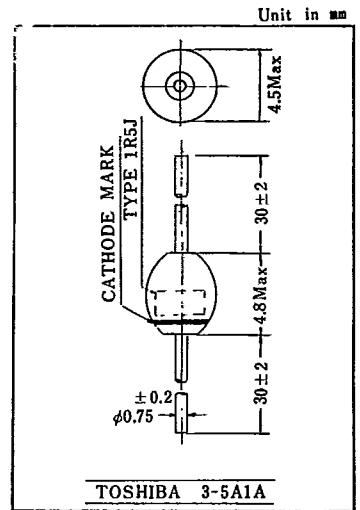


1R5JZ61 600V 1.5A

MAXIMUM RATINGS

CHARACTERISTIC	SYMBOL	RATING	UNIT
Repetitive Peak Reverse Voltage	1R5BZ61	100	V
	1R5DZ61	200	
	1R5GZ61	400	
	1R5JZ61	600	
Average Forward Current	$I_{F(AV)}$	1.5	A
Peak One Cycle Surge Forward Current (Non-Repetitive)	I_{FSM}	75 (50Hz)	A
		82 (60Hz)	
Junction Temperature	T	-40~175	°C
Storage Temperature Range	T_{stg}	-40~175	°C



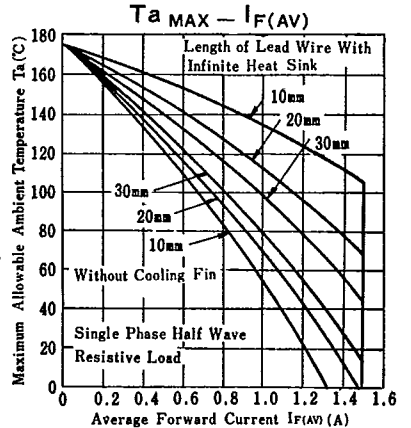
The beginning 4 characters of the type name printed for the type indication.

ELECTRICAL CHARACTERISTICS

CHARACTERISTIC	SYMBOL	CONDITION	MIN.	TYP.	MAX.	UNIT
Peak Forward Voltage	V_{FM}	$I_{FM}=1.5A, T_j=25°C$	-	-	1.0	V
Repetitive Peak Reverse Current	I_{RRM}	$V_{RM}=\text{Rated}, T_j=25°C$	-	-	10	μA

Caution: Lead wire temperature of any position especially closer than 10mm from the rectifier body must be kept within 290°C for 5 sec, maximum during the time of mounting this rectifier.

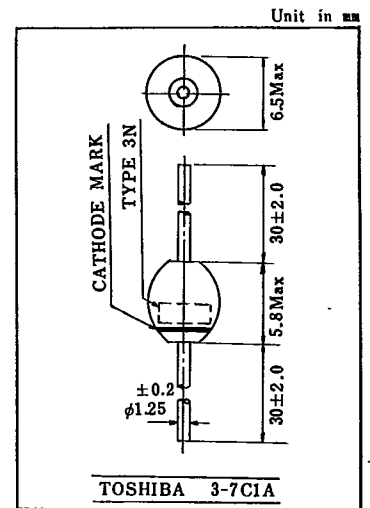
Lead Bending: 5 mm is the minimum to be kept from the rectifier body when bend the lead wire.



3NZ61 1000V 3A

MAXIMUM RATINGS

CHARACTERISTIC	SYMBOL	RATING	UNIT
Repetitive Peak Reverse Voltage	3BZ61	100	V
	3DZ61	200	
	3GZ61	400	
	3JZ61	600	
	3LZ61	800	
	3NZ61	1000	
Average Forward Current	$I_{F(AV)}$	3	A
Peak One Cycle Surge Forward Current (Non-Repetitive)	I_{FSM}	100 (50Hz)	A
		110 (60Hz)	
Junction Temperature	T_j	-40~175	°C
Storage Temperature Range	T_{stg}	-40~175	°C



The beginning 2 characters of the type name are printed for the type indication.

ELECTRICAL CHARACTERISTICS

CHARACTERISTIC	SYMBOL	CONDITION	MIN.	TYP.	MAX.	UNIT
Peak Forward Voltage	V_{FM}	$I_{FM}=3A, T_j=25°C$	-	-	1.0	V
Repetitive Peak Reverse Current	I_{RRM}	$V_{RM}=\text{Rated}, T_j=25°C$	-	-	10	μA

Caution: Lead wire temperature of any position especially closer than 10mm from the rectifier body must be kept within 290°C for 5 sec, maximum during the time of mounting this rectifier.

Lead Bending: 5 mm is the minimum to be kept from the rectifier body when bend the lead wire.

