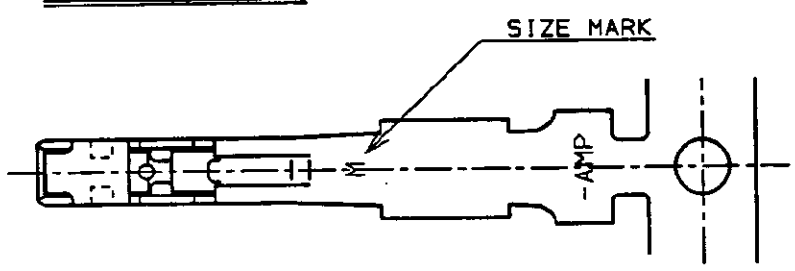
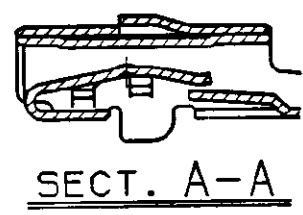
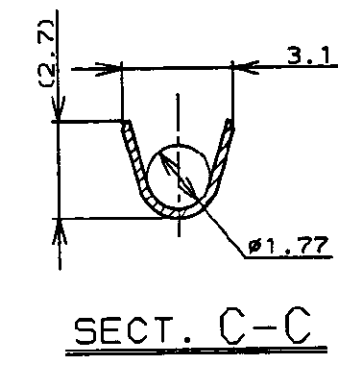
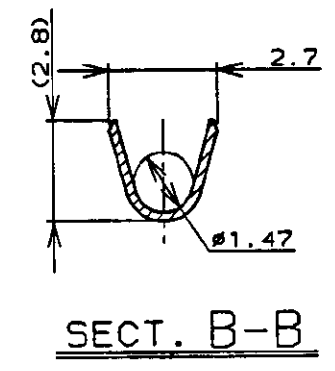
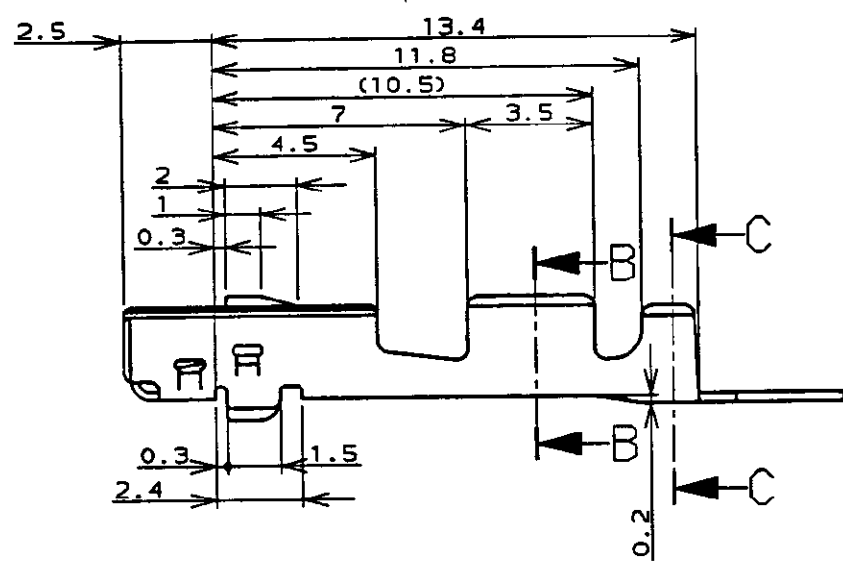
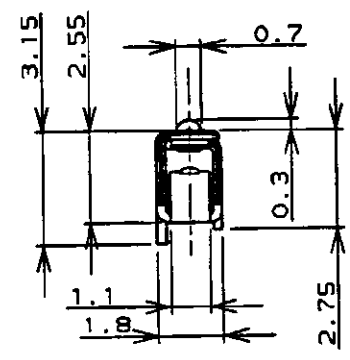
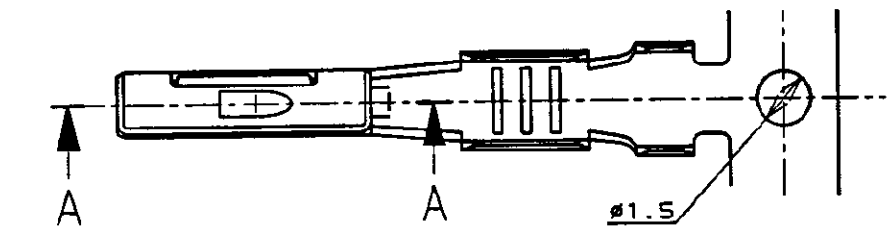


LOC		DIST		REVISIONS				
P	LTR	DESCRIPTION	ECN	DATE	DWN	APVD		
	0	DRAWN	FJ00-4529-95	4/24 '96	JY	MS		



- 注記,
 1. 適用電線 : AVSS,CAVS 0.85-1.25mm²
 AVS 0.5mm², CAVUS 1.25mm²
 2. 取付適用規格番号 ; 114-5217

- NOTES;
 1. APPLICABLE WIRE RANGE ;
 AVSS,CAVS 0.85-1.25mm²
 AVS 0.5mm², CAVUS 1.25mm²
 2. APPLICATION SPEC NO ; 114-5217

THIS DRAWING IS A CONTROLLED DOCUMENT FOR AMP INCORPORATED. IT IS SUBJECT TO CHANGE AND THE CONTROLLING ENGINEERING ORGANIZATION SHOULD BE CONTACTED FOR THE LATEST REVISION.		DWN J. Kobayashi 4/24 '96	PRE-TIN (すずめっき済)	316838-1
DIMENSIONS: 単位: 毫 mm		CHK J. Kobayashi 4/25 '96	FINISH (仕上)	PART NUMBER (型番)
TOLERANCES UNLESS OTHERWISE SPECIFIED 一般公差 10% : ±0.2 30% : ±0.25 100% : ±0.3 ANGLE : ±3°		APVD N. Sai 4/25 '96	AMP 日本エー・エム・ピー株式会社 Kawasaki, Japan	
MATERIAL 材料 Cu ALLOY 銅合金		PRODUCT SPEC 製品規格 - H -	.040 III UNSEALED CONTACT, RECEPTACLE (M) Sn	
FINISH 仕上 SEE TABLE 表参照		APPLICATION SPEC 取付適用規格 114-5217	SIZE A3	CAGE CODE 00779
CUSTOMER DRAWING		WEIGHT 0.3g	DRAWING NO 番号 C-316838	
			SCALE 尺度 5-1	SHEET 1 OF 1 REV 0