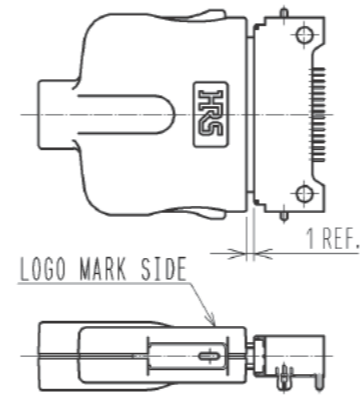
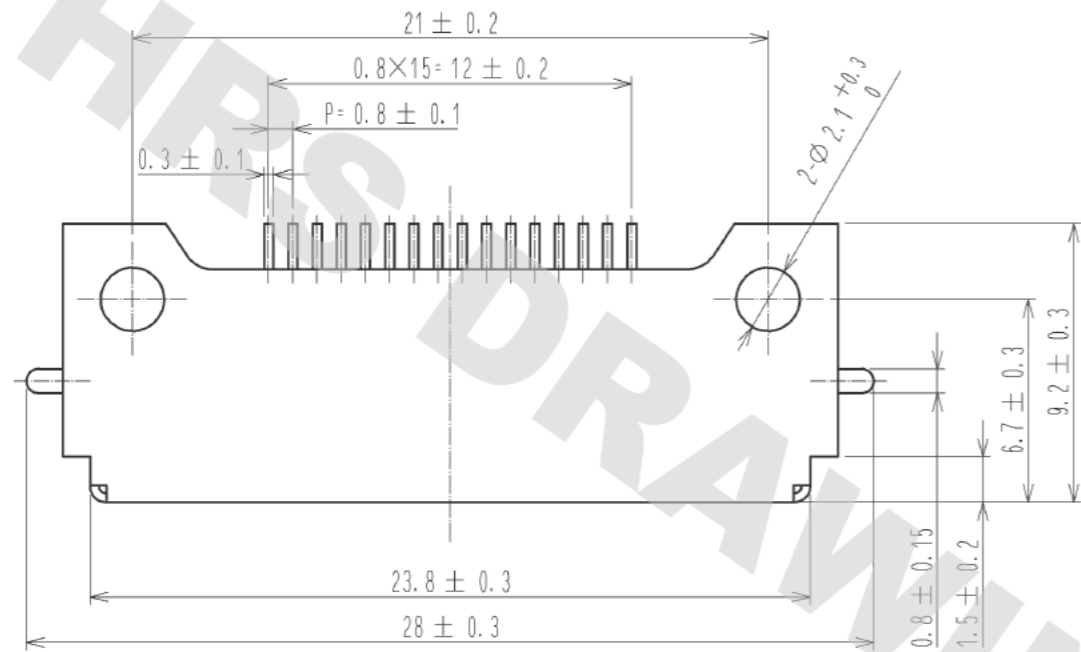
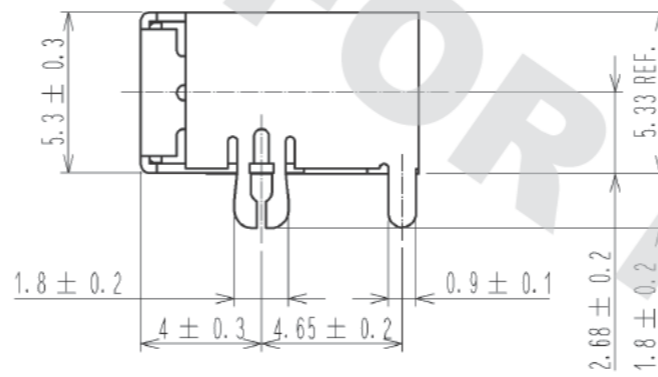
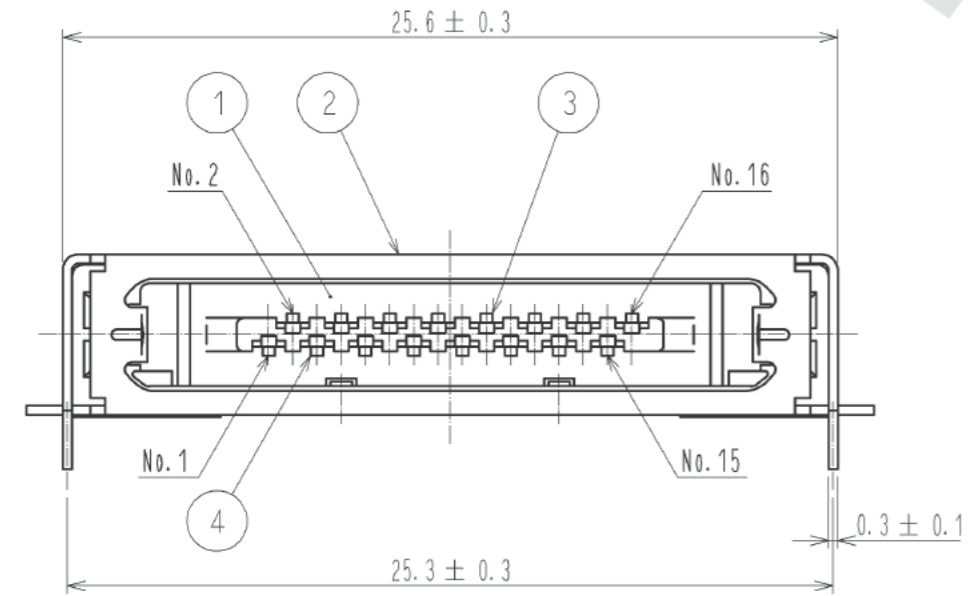
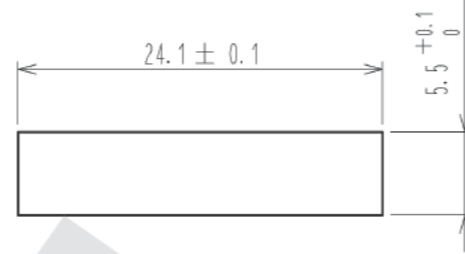


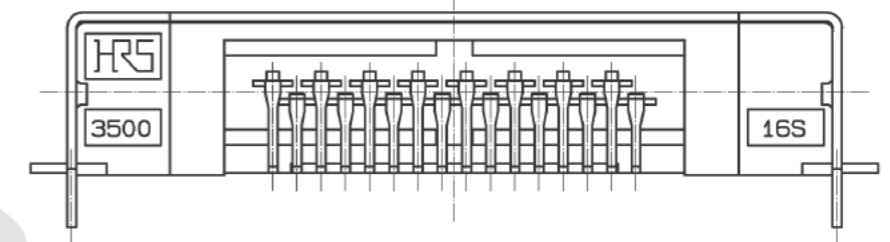
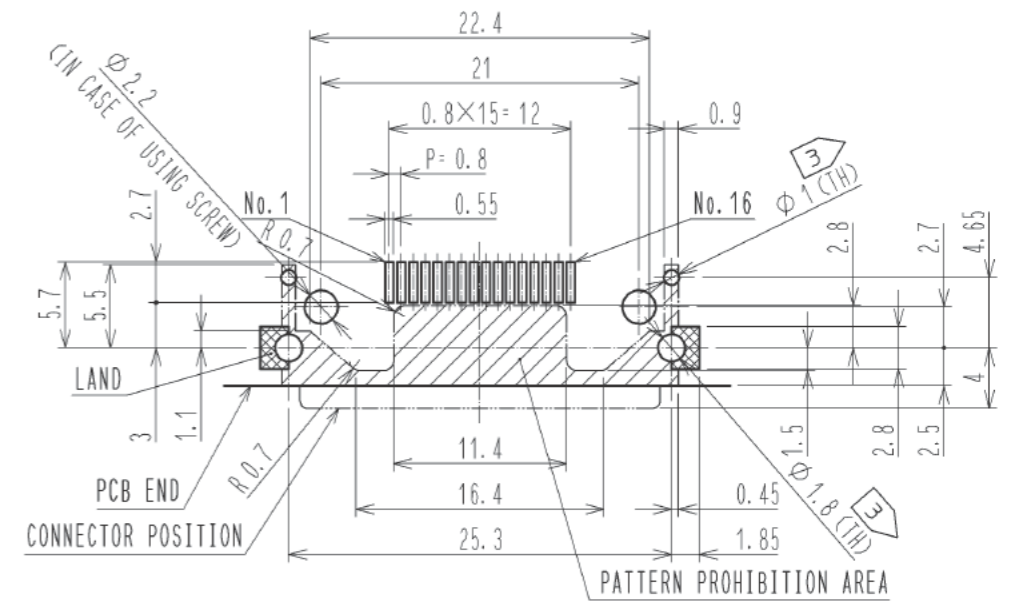
1) FIG-1 WITH MATED PLUG(1:1)



PANEL CUTOUT(2:1)
(PANEL THICKNESS t=1.5 mm MAX)

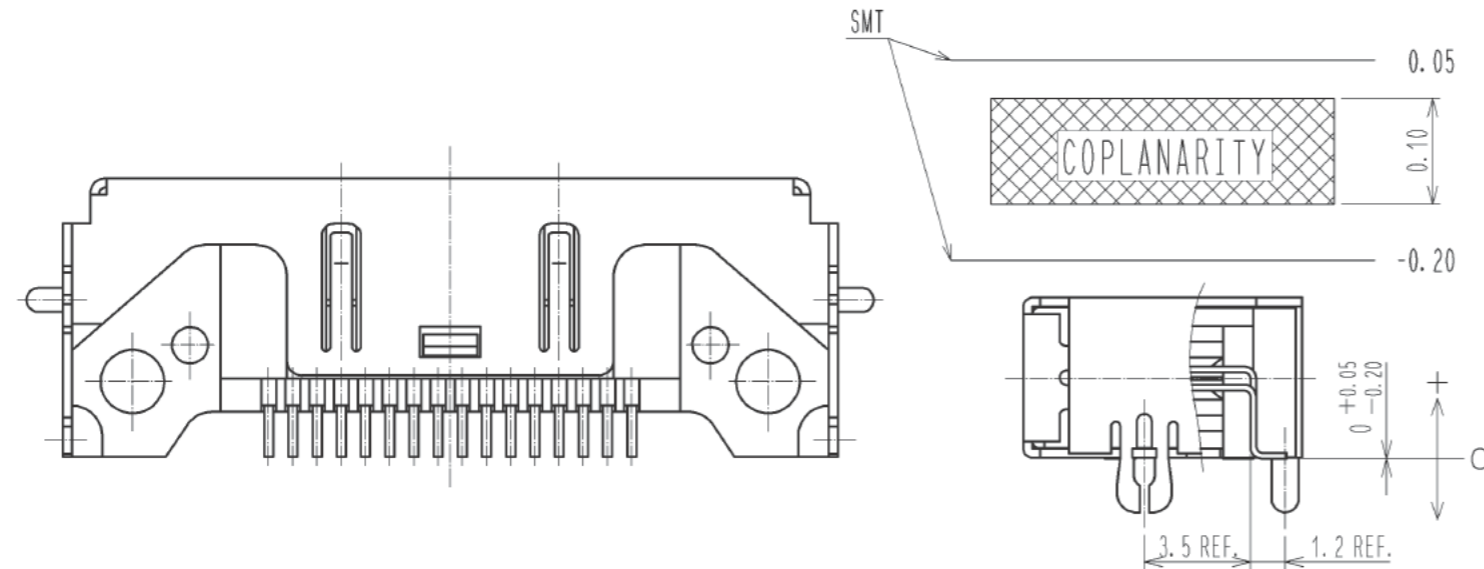


RECOMMENDED PC BOARD PATTERN
APPLICABLE PC BOARD t=0.8~1.6



- NOTES
- 1) LOCK MARK ON PLUG IN MATED CONDISION IS AS SHOWN FIG-1.
 - 2) SMT LEAD DIMENSION FOR CONTACT (REF No. ③, ④) SHALL BE AS SHOWN IN THE FIG-2
 - 3) IN CASE OF VACUMMOUNTING, $\phi 1.8$ SHALL BE $\phi 2$ MIN. $\phi 1$ SHALL BE $\phi 1.2$ MIN.

2) FIG-2 SMT&COPLANARITY LEAD DIMENSIONS



NO.	MATERIAL	FINISH . REMARKS	NO.	MATERIAL	FINISH . REMARKS
3	COPPER ALLOY	CONTACT(SURFACE) : GOLD PLATING 0.2 μ m MIN CONTACT(INTERMEDIATE): PALLADIUM NICKEL PLATING 0.7 μ m MIN LEAD UNDER : TIN COPPER PLATING 3 μ m MIN : NICKEL PLATING 2 μ m MIN	6	POLYSTYRENE	
2	STAINLESS STEEL	OVER : TIN REFLOW PLATING 1 μ m MIN UNDER : NICKEL PLATING 0.2 μ m MIN	5	POLYSTYRENE	
1	POLYAMIDE	BLACK . UL94V-0	4	COPPER ALLOY	CONTACT(SURFACE) : GOLD PLATING 0.2 μ m MIN CONTACT(INTERMEDIATE): PALLADIUM NICKEL PLATING 0.7 μ m MIN LEAD UNDER : TIN COPPER PLATING 3 μ m MIN : NICKEL PLATING 2 μ m MIN

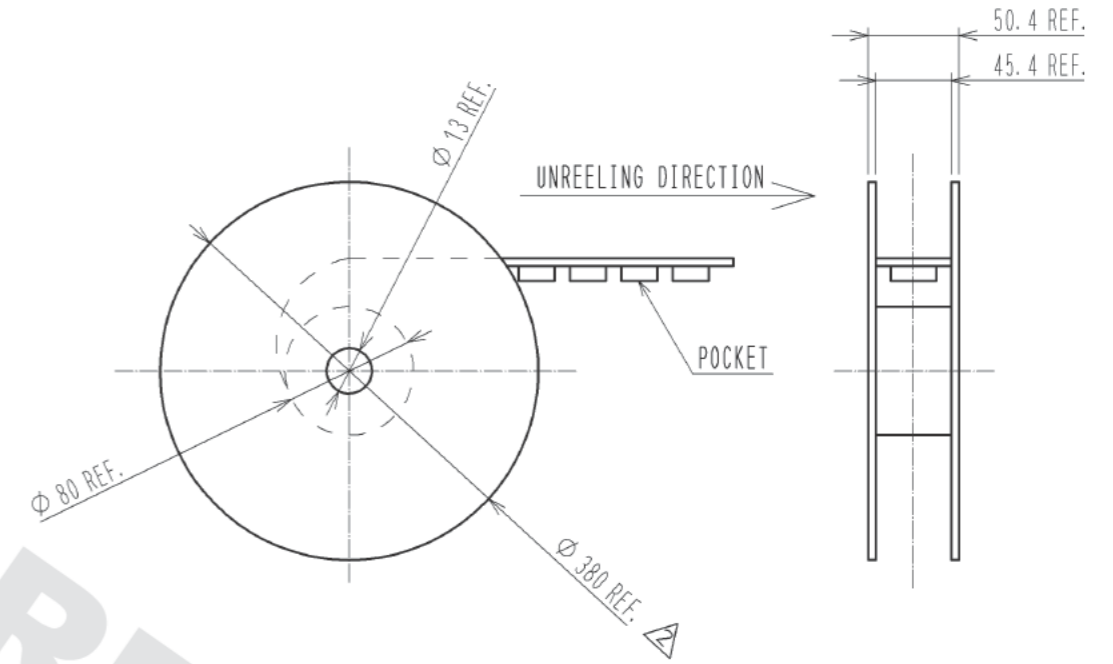
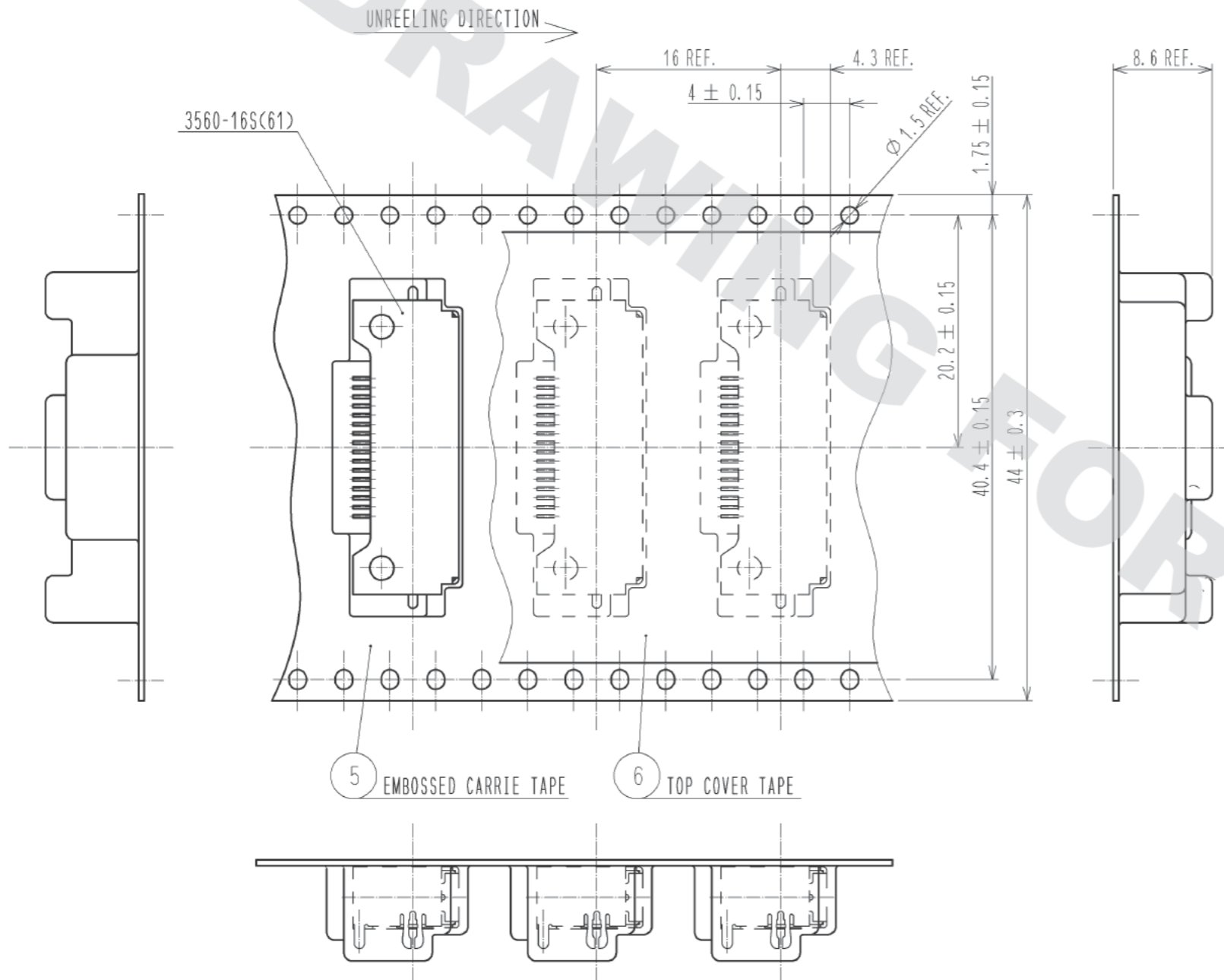
UNITS	SCALE	COUNT	DESCRIPTION OF REVISIONS	DESIGNED	CHECKED	DATE
mm	4:1	1	DIS-E-004465	P. EKSOURIYA	NM. NISHIMATSU	12. 12. 20

APPROVED	DATE	DRAWING NO.
HRS HIROSE ELECTRIC CO., LTD.	05. 10. 17	EDC3-120417-04
CHECKED : YH. ENAMI	05. 10. 14	PART NO. 3560-16S(61)
DESIGNED : TU. TANIGUCHI	05. 10. 14	CODE NO. CL235-0001-3-61
DRAWN : YK. SATO	05. 09. 07	

DRAWING FOR REFERENCE: This is subject to change without notice
05/31/2013

4 FIG-3 FIGURE OF PACKAGED CONNECTOR CONDITION (2:1)

5 FIG-4 FIGURE PF TAPE AND REEL CONDITION (SCALE:FREE)



NOTES 4 CONNECTOR STORAGE STATUS SHALL BE AS SHOWN IN FIG-3.
 5 TAPE AND REEL CONDITION SHALL BE AS SHOWN IN FIG-4
 AND NUMBER OF CONNECTOR STORAGE PER REEL:500 PCS.

HRS	DRAWING NO.	EDC3-120417-04	
	PART NO.	3560-16S(61)	
	CODE NO.	CL235-0001-3-61	

DRAWING FOR REFERENCE: This is subject to change without notice
05/31/2013