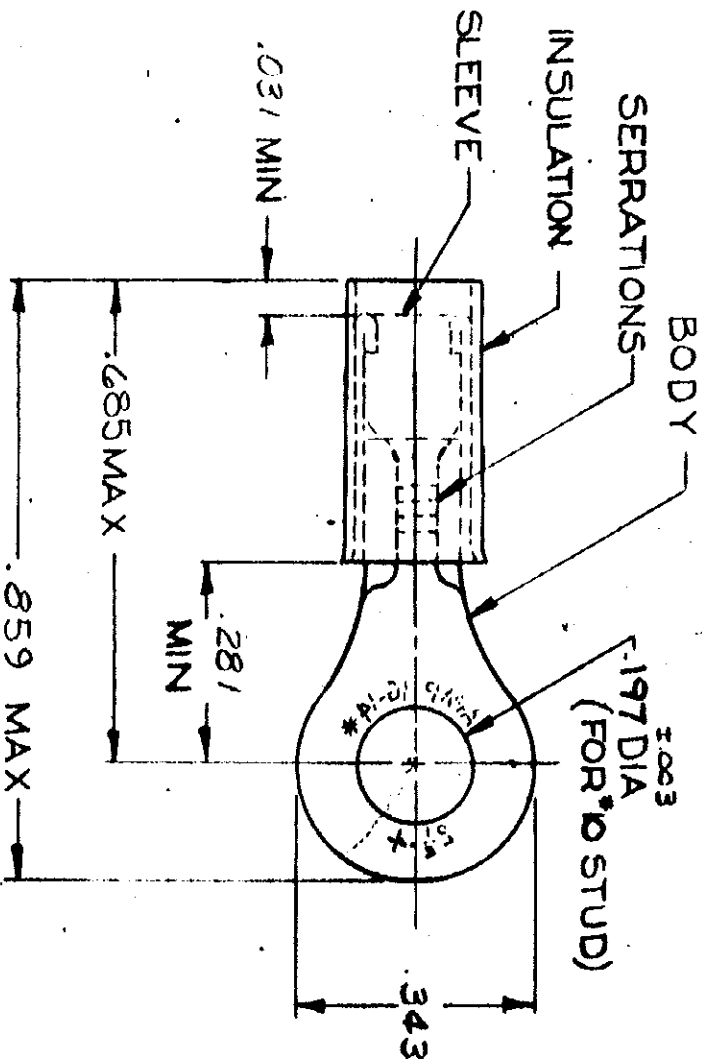


©1968 BY AMP INCORPORATED. ALL RIGHTS RESERVED. AMP PRODUCTS COVERED BY PATENTS AND/OR PATENTS PENDING.

REVISIONS		DATE	APPROVED
LTR	DESCRIPTION		
C	REDRAWN & UPDATED	3-27-69	RMW
D	REVISED	4-1-70	PCY
E	REVISED	8-28-78	RMW
F	REV/0720-0060-93	3-31-93	TO/ML



FOR .105 TO .150 WIRE INSULATION DIA.  
TONGUE MATERIAL THK. = .031 ±.002

NOTE:  
L STAMPING MAY BE ON TOP OR BOTTOM.

100 LOOSE PC, BOX	8-320574-1		
1	320574 ON TAPE	2-320574-2	BODY & SLEEVE: COPPER (QQ-C-576) TIN PL (MIL-T-10727)
1	WIRE TERMINAL	320574	INSULATION: BLUE NYLON (MIL-M-20693) TYPE I
QTY	DESCRIPTION	PART NO.	MATERIAL & FINISH
UNLESS OTHERWISE SPECIFIED DIMENSIONS ARE IN INCHES. TOLERANCES ON: DECIMALS ±.008 ANGLES ±.5°			
MATERIAL		SEE TABLE	
CONTRACT NO.		AMP INCORPORATED HARRISBURG, PENNSYLVANIA	
DR. <i>Wm Engman</i>		NAME	
DATE <i>3-27-69</i>		AMP WIRE TERMINAL	
CHK <i>W. J. ...</i>		P.I.D.G-RING TONGUE	
APPD <i>Burwell 4-4-69</i>		WIRE SIZE: 16-14	
REL <i>SA ... 4/15/69</i>		SIZE CODE IDENT NO.	
DSGN APPD		NUMBER	
OTHER APPD		A 00779 320574	
SCREENS		SHEET 1 OF 1	