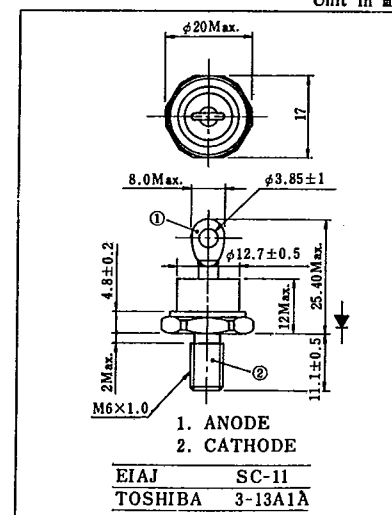


Unit in mm

30DG15 200V 30A

MAXIMUM RATINGS

CHARACTERISTIC	SYMBOL	RATING	UNIT
Repetitive Peak Reverse Voltage	30BG15	100	V
	30CG15	150	
	30DG15	200	
Average Forward Current	$I_{F(AV)}$	30	A
Peak One Cycle Surge Forward Current (Non-Repetitive)	I_{FSM}	600	A
Junction Temperature	T_j	-40~150	°C
Storage Temperature Range	T_{stg}	-40~150	°C
Stud Torque		30	kgcm



AC34 is furnished as an accessory.

ELECTRICAL CHARACTERISTICS

CHARACTERISTIC	SYMBOL	CONDITION	MIN.	TYP.	MAX.	UNIT
Peak Forward Voltage	V_{FM}	$I_{FM}=30A, T_a=25°C$	-	-	0.86	V
Peak One Cycle Surge Forward Current (Non-Repetitive)	I_{RRM}	$V_{RM}=\text{Rated}, T_j=150°C$	-	-	20.0	mA
Reverse Recovery Time	$t_{rr}(1)$	$I_F=1.0A, V_R=30V, T_j=25°C$	-	-	-	ns
	$t_{rr}(2)$	$I_F=30A, \frac{di}{dt}=25A/\mu s, T_a=25°C$	-	-	60	ns
Reverse Recovery Current	$I_{rr}(1)$	$I_F=1.0A, V_R=30V, T_a=25°C$	-	-	-	A
	$I_{rr}(2)$	$I_F=30A, \frac{di}{dt}=25A/\mu s, T_a=25°C$	-	-	-	A
Forward Recovery Voltage	V_{fr}	$I_F=1.0A, T_a=25°C$	-	-	100	ns

