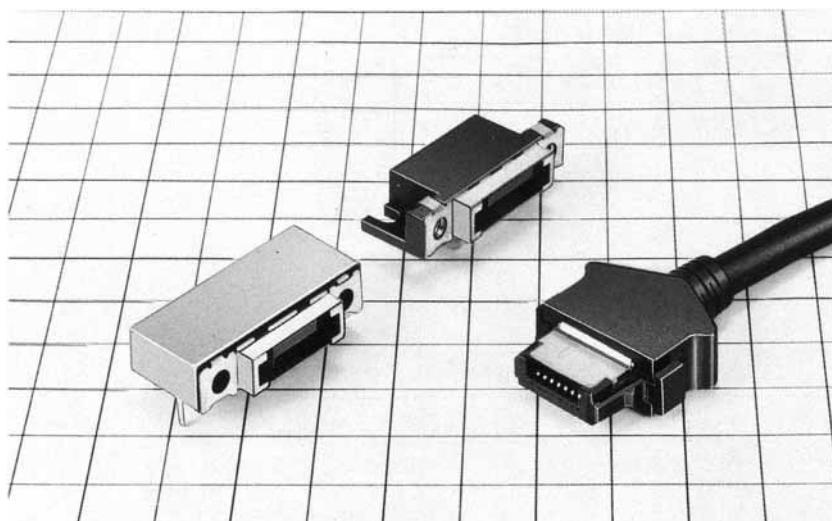


3100 SERIES LOW PROFILE CONNECTOR FOR PREVENTING EMI

General

The 3100 series low profile I/O connectors for preventing EMI are perfect for today's compact electronic equipment.

Available in 6, 8, 12, 14 and 16 pins.



Features

- (1) The metal shell guide structure for the receptacle connector reduces drastically the height for the substrate to 7mm.
- (2) The metal shell with a molded cover case is designed to shield it from electrostatic discharge (ESD).
- (3) The cantilever profile of the female contact ensures effortless coupling and long service life.
- (4) The effective engagement length is of sequence structure and sufficient to allow the shielded part to engage first when connecting.
- (5) The cable can be terminated efficiently just by crimping with a jig after passing the cable through the guide plate hole.
- (6) Cables AWG 26 to AGW 30 are applicable by partially changing the guide plate since the male connector adopts a U-slit type connection.
- (7) The side latching method of the molded cover assures easy locking of the plug connector.

Application

Office Automation, Communications, Home Automation and Other equipment.

Specification

Specification	
Current capacity	0.5A
Rated Voltage	AC 125V
Insulation Resistance	Min. 250M Ω at DC 100V
Contact Resistance	Max. 35m Ω at DC 1mA
Withstanding Voltage	AC300Vr.m.s for 1 minute

Relation between guide plate and applicable coating O.D.		
Hole dia (mm) of Wire Configuration Guide Plate	ϕ 0.85	ϕ 1
Applicable Cable Cut dia (mm)	ϕ 0.75~ ϕ 0.83	ϕ 0.88~ ϕ 0.98

Material & Finish

Material Finish			
Receptacle	Insulation	PBT resin	Black UL94V-0
	Contact	Brass	Selective gold plating
	Shell	Brass	Solder plating
Plug	Insulation	Polycarbonate Resin	White for AWG #28
			Black for AWG #30
	Contact	Brass	Selective gold plating
	Guide Plate	Polycarbonate resin	Transparent
	Shell	Brass	Solder plating
Cover	Polycarbonate resin		

Ordering Informations

● Receptacle

$\frac{31}{(1)}$ $\frac{10}{(2)}$ — $\frac{6}{(3)}$ $\frac{S}{(4)}$ $\frac{A}{(5)}$ $\frac{(50)}{(6)}$

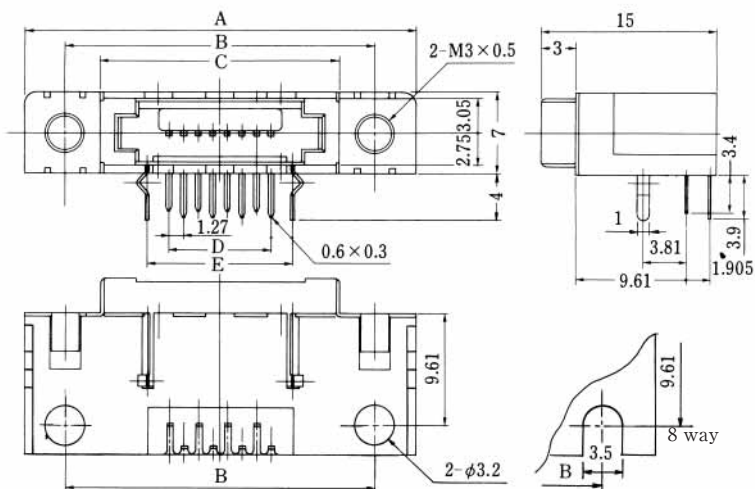
- (1) Series Number:31
- (2) Type
10: Right Angle Dip
- (3) No. of Pins: 6, 8, 12, 14, 16
- (4) Type of opening
S: Receptacle
- (5) Additional Function
Blank: Standard
A: All Shield Type
- (6) Specification contents
(50): Specifications support RoHS

● Plug

$\frac{31}{(1)}$ $\frac{30}{(2)}$ $\frac{A}{(3)}$ — $\frac{6}{(4)}$ $\frac{P}{(5)}$ $\frac{A}{(6)}$ — $\frac{C}{(7)}$ $\frac{(50)}{(8)}$

- (1) Series Number:31
- (2) Type
30: AWG28, 26 IDC
- (3) Hole dia. of Wire Configuration Tube Plate
Black: ϕ 1.0 (ϕ 0.88~ ϕ 0.98)
A: ϕ 0.85 (ϕ 0.75~ ϕ 0.83)
- (4) No. of Pins: 6, 8, 12, 14, 16
- (5) Type of opening
P: Plug
- (6) Cover Type
Blank: Straight Cable Exit
A: Side Cable Exit
- (7) Cover
C: Standard
- (8) Specification contents
(50): Specifications support RoHS

Receptacle (Standard)

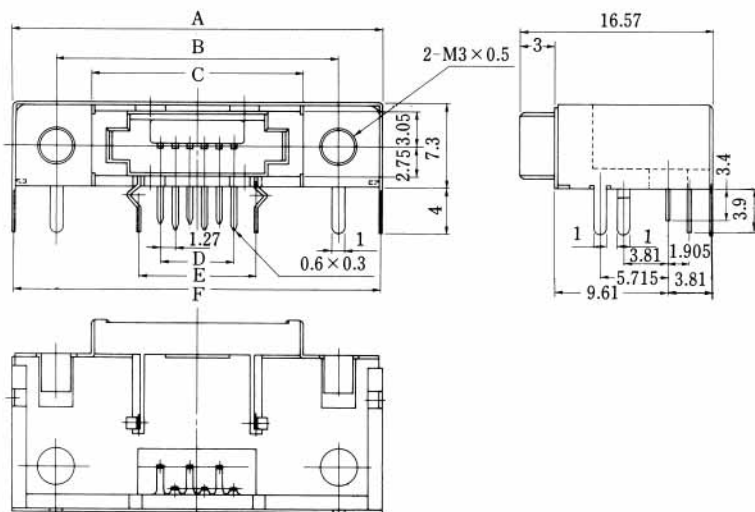
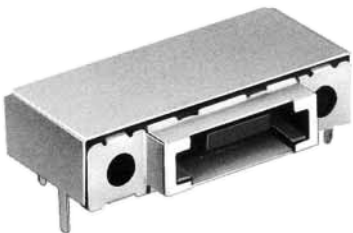


3110-12S (50)

Unit: mm

HRS No.	No. of pin	Parts No.	A	B	C	D	E	RoHS
CL231-3006-8-50	6	3110-6S (50)	30.96	23.96	17.91	6.35	9.96	YES
CL231-3001-4-50	8	3110-8S (50)	33.5	26.5	20.45	8.89	12.5	
CL231-3008-3-50	12	3110-12S (50)	38.58	31.58	25.53	13.97	17.58	
CL231-0018-0-50	16	3110-16S (50)	43.66	36.66	30.61	19.05	22.66	

Receptacle (All Shielded Type)

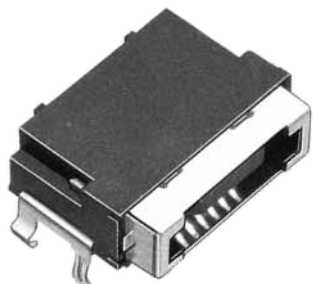


3110-6SA (50)

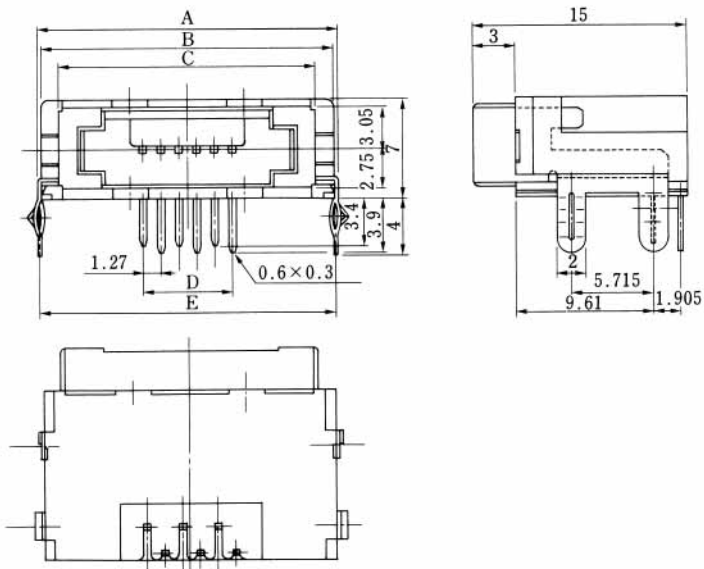
Unit: mm

HRS No.	No. of pin	Parts No.	A	B	C	D	E	F	RoHS
CL231-3003-0-50	6	3110-6SA (50)	31.56	23.96	17.91	6.35	9.96	31.26	YES
CL231-0020-2-50	16	3110-16SA (50)	44.26	36.66	30.61	19.06	22.66	43.96	

Receptacle (Without Mounting Hole Type)



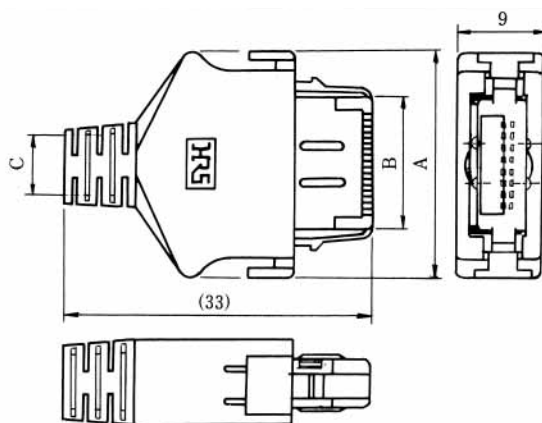
3110-6SB (50)



Unit: mm

HRS No.	No. of pin	Parts No.	A	B	C	D	E	RoHS
CL231-3017-4-50	6	3110-6SB (50)	20.86	20.26	17.91	6.35	20.56	YES
CL231-0021-5-50	14	3110-14SB (50)	31.02	30.42	28.07	16.51	30.72	

Plug (Straight Cable Exit Type)

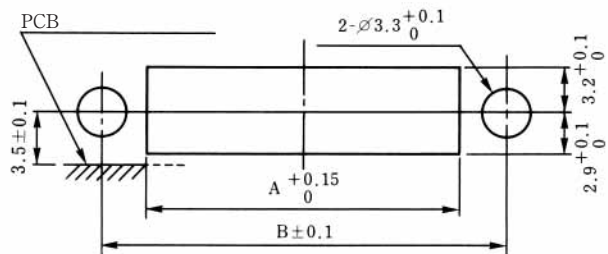


3130-8P-C (50)

Unit: mm

HRS No.	No. of pin	Parts No.	A	B	C	RoHS
CL231-3014-6-50	6	3130-6P-C (50)	21.46	11.36	φ 5.8	YES
CL231-3002-7-50	8	3130-8P-C (50)	24	13.9	φ 6.2	
CL231-3009-6-50	12	3130-12P-C (50)	29.08	18.98	φ 6.7	
CL231-0022-8-50	14	3130-14P-C (50)	31.62	21.52	φ 7.0	

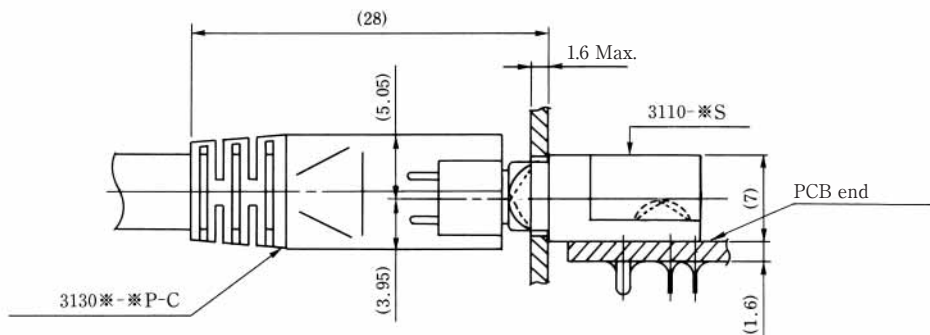
Panel Cutout (Thickness of Panel:Max.1.6mm)



Unit: mm

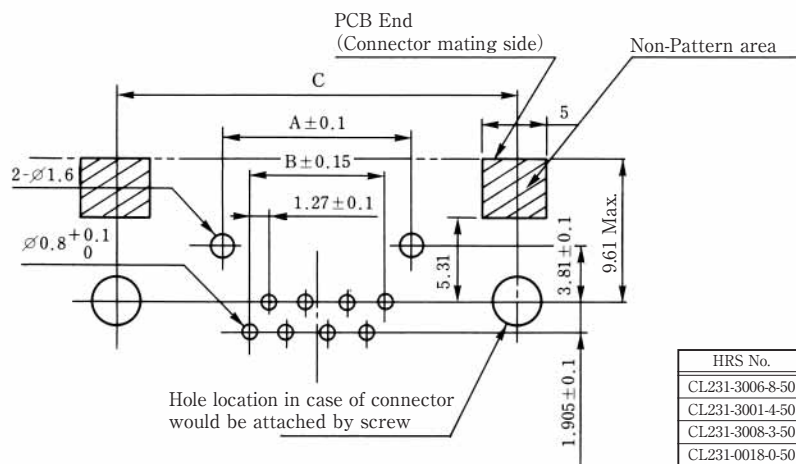
HRS No.	No. of pin	Parts No.	A	B
CL231-3006-8-50	6	3110-6S (50)	18.06	23.96
CL231-3001-4-50	8	3110-8S (50)	20.6	26.5
CL231-3008-3-50	12	3110-12S (50)	25.68	31.58
CL231-0018-0-50	16	3110-16S (50)	30.76	36.66
CL231-0021-5-50	14	3110-14SB (50)	28.22	—

Coupling Status



Note: Screw for Panel: M3×0.5 length 6mm.

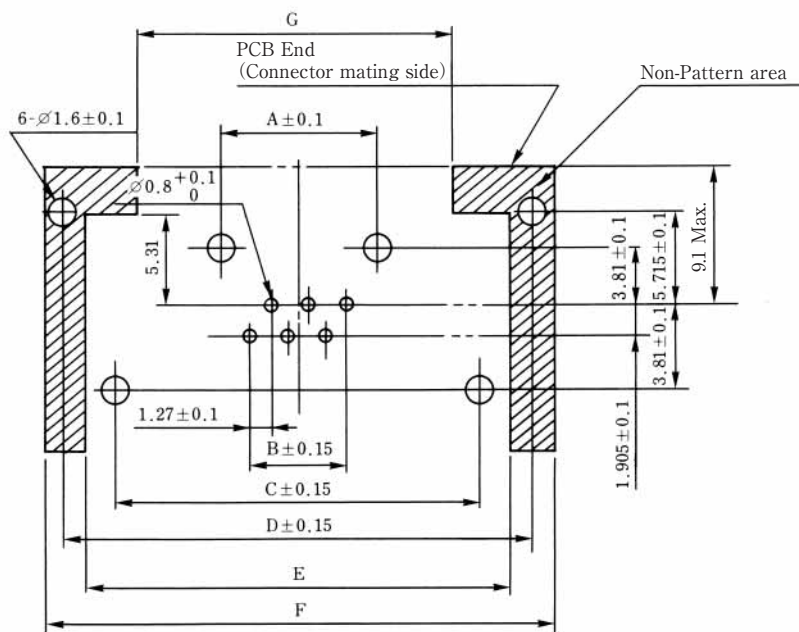
Backboard Pattern (Standard)



Unit: mm

HRS No.	No. of pin	Parts No.	A	B	C
CL231-3006-8-50	6	3110-6S (50)	9.96	6.35	23.96
CL231-3001-4-50	8	3110-8S (50)	12.5	8.39	26.5
CL231-3008-3-50	12	3110-12S (50)	17.58	13.97	31.58
CL231-0018-0-50	16	3110-16S (50)	22.66	19.05	36.66

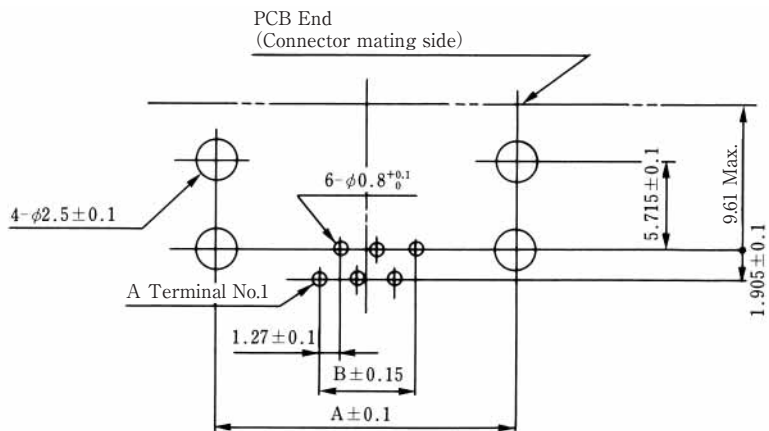
(All Shielded Type)



Unit: mm

HRS No.	No. of pin	Parts No.	A	B	C	D	E	F	G
CL231-3003-0-50	6	3110-6SA (50)	9.96	6.35	23.96	31.26	27.56	31.96	18.96
CL231-0020-2-50	16	3110-16SA (50)	22.66	19.05	36.66	43.96	40.26	44.66	31.66

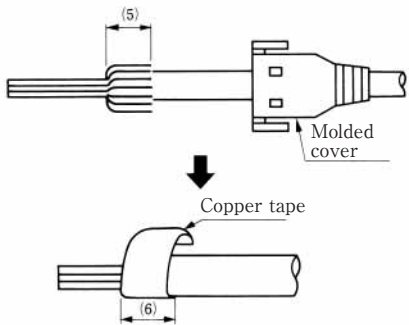
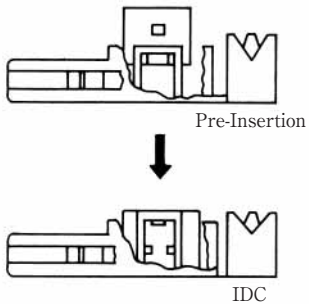
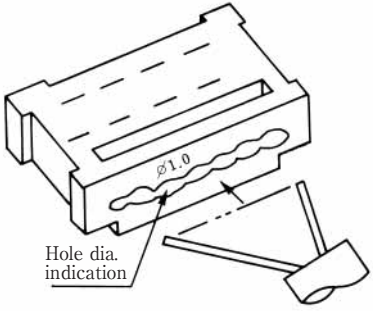
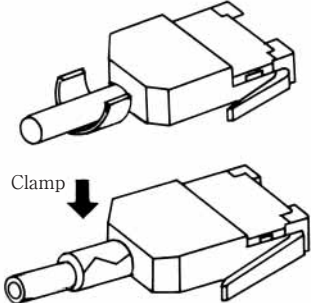
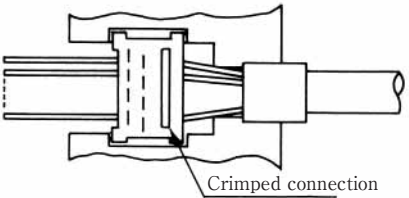
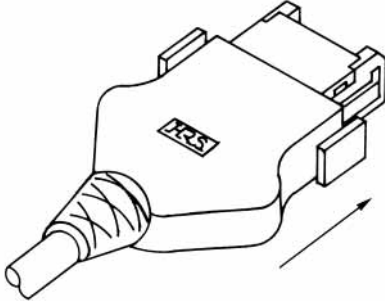
(Without Mounting Hole Type)



Unit: mm

HRS No.	No. of pin	Parts No.	A	B
CL231-3017-4-50	6	3110-6SB (50)	20.56	6.35
CL231-0021-5-50	14	3110-14SB (50)	30.72	16.51

Connecting Method

Procedure	Specification	Procedure	Specification
1. Termination	Peel the shielded braid and terminate treatment. 	4. IDC	Insert the guide plate into the plug temporarily and press it. 
2. Wire configuration	Configure the cable conductor to the corresponding guide plate. 	5. Covering and clamping	Cover the ground plate B and fasten the cable by clamping. 
3. Cutting and clamping	Cut the remaining part of the wire and clamp the cable conductor. 	6. Covering	

Tooling

(Straight Cable Exit Type)

Connector	Process	Tool Name	
3130-6P-C (50)	Wire clamp Remaining part of cable cut	Hi-Flex Connecting press (CL550-0082-2)	3130-6CT
	Crimping, Clamp		3130-6GP
3130-8P-C (50)	Wire clamp Remaining part of cable cut		3130-8CT
	Crimping, Clamp		3130-8GP
3130-12P-C (50)	Wire clamp Remaining part of cable cut		3130-12CT
	Crimping, Clamp		3130-12GP
3130-14P-C (50)	Wire clamp Remaining part of cable cut		3130-14CT
	Crimping, Clamp		3130-14GP