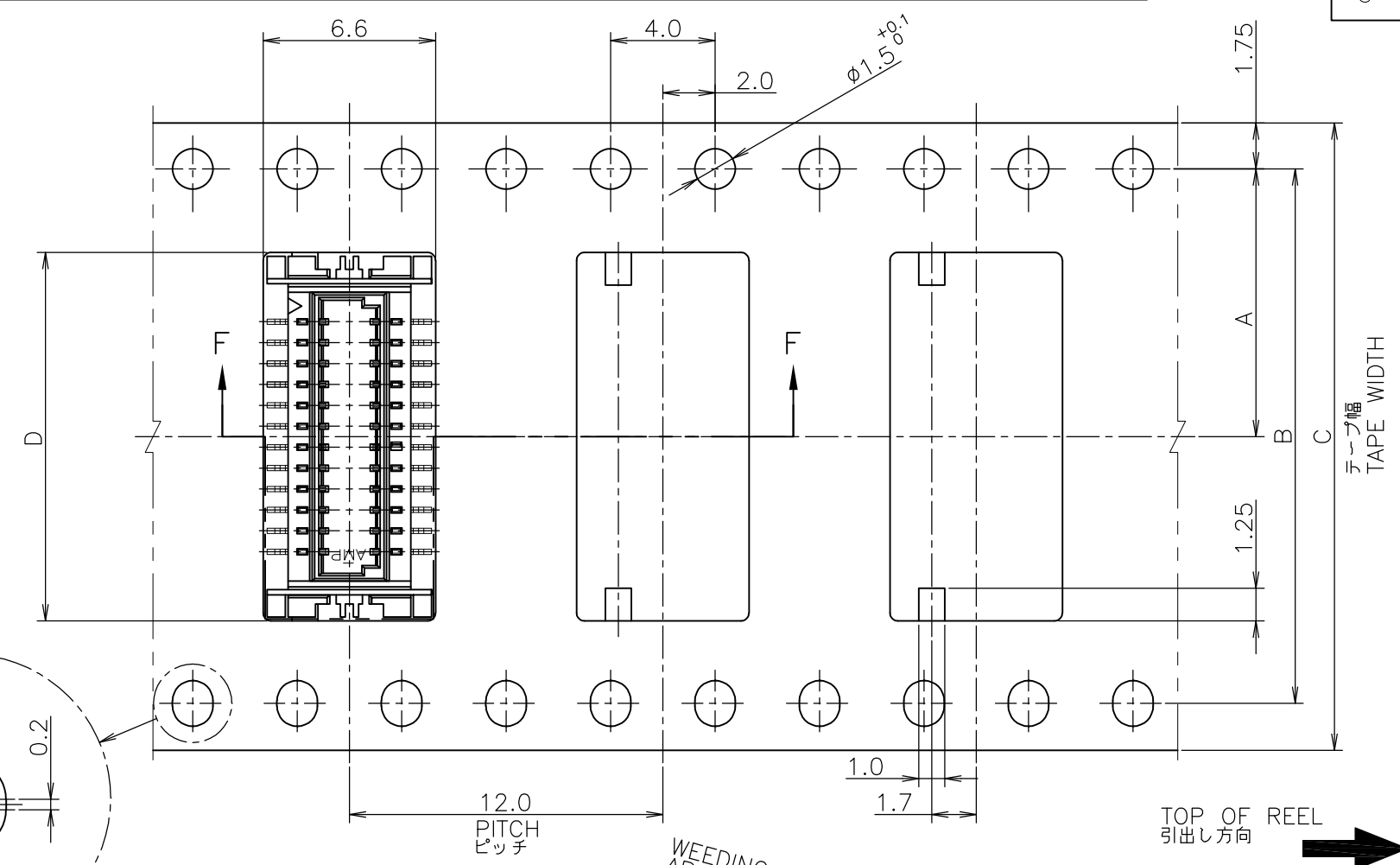


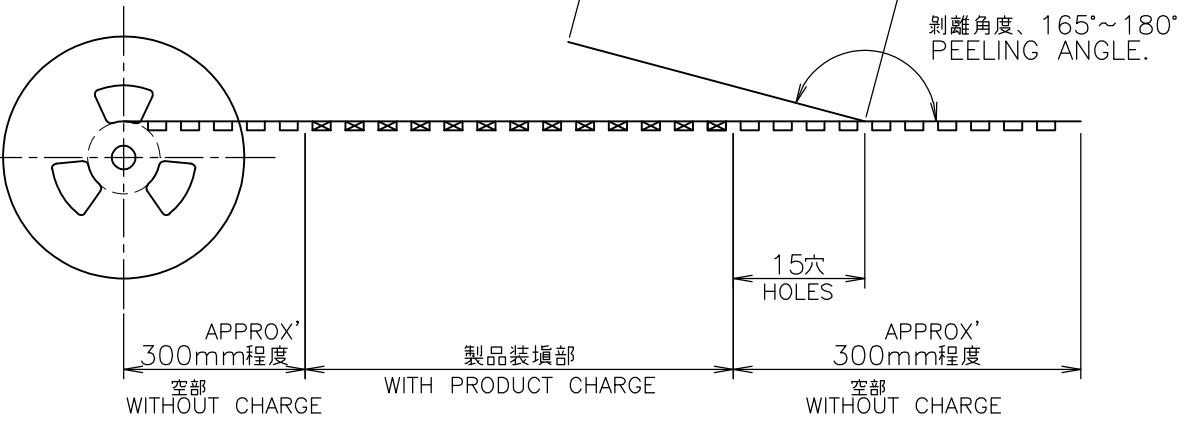
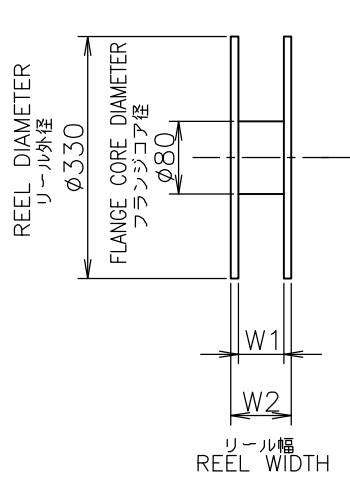
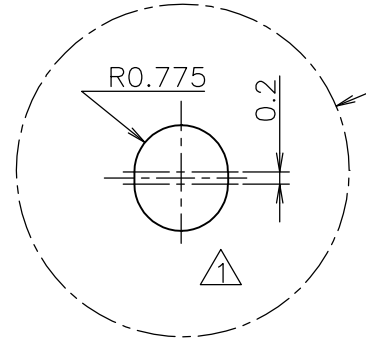
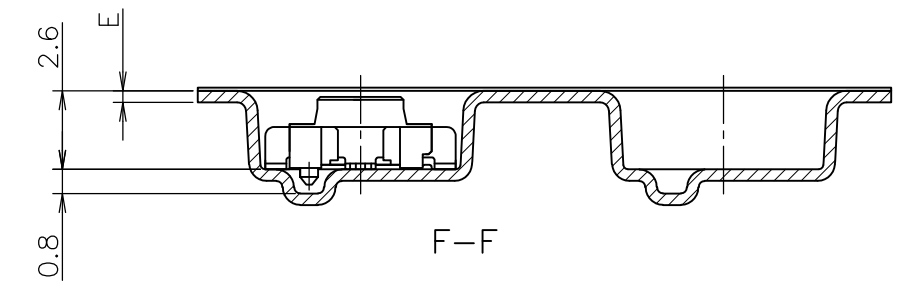
THIS DRAWING IS UNPUBLISHED. RELEASED FOR PUBLICATION FEB, 1994.  
 © COPYRIGHT 1994 BY TYCO ELECTRONICS CORPORATION. ALL RIGHTS RESERVED.

LOC	DIST	REVISIONS					
J		P	LTR	DESCRIPTION	DATE	DWN	APVD
		L		REVISED ECR-07-019218	14AUG07	T.T	T.F



AS SHOWN 24POS.

△ 指示穴は40極品以上に適用。  
 △ THESE HOLES ARE APPLIED TO 40 POS OR MORE.



BLACK	29.5	25.5	0.38	16.5	24	—	11.5	1500	30	3-179397-5
BEIGE	49.5	45.5	0.38	24.5	44	40.4	20.2	1500	50	5-179397-0
	37.5	33.5		20.5	32	28.4	14.2		40	4- — -0
				16.5					30	3- — -0
	29.5	25.5		14.1	24	—	11.5		24	2- — -4
				10.9					16	1- — -6
	21.5	17.5	0.38	10.1					14	1- — -4
BEIGE	22.4	16.4	0.4	9.3	16	—	7.5	1500	12	1-179397-2

INSTRUCTION SHEET  
 取扱説明書  
 411-5654

THIS DRAWING IS A CONTROLLED DOCUMENT.

DIMENSIONS: 単位: 耗 mm	TOLERANCES UNLESS OTHERWISE SPECIFIED: 一般公差	DWN K.ASAKAWA 24FEB94	Tyco Electronics Corporation Kawasaki, Japan	
	0 PLC ± 0.2 1 PLC ± 0.2 2 PLC ± 0.2 3 PLC ± 0.2 4 PLC ± 0.2 ANGLES ± 3'	CHK S.KUBOUCHI 24FEB94	ON TAPING EMBOSS CAP ASSEMBLY WITH BOSS 0.8mm PITCH BOARD TO BOARD CONNECTOR MATING HEIGHT 3.0mm	
MATERIAL 材料	FINISH 仕上	APVD S.KUBOUCHI 01NOV96	NAME 名称	RESTRICTED TO
		PRODUCT SPEC 製品規格 108-5424	SIZE A3	00779
		APPLICATION SPEC 取付適用規格	CAGE CODE G-179397	DRAWING NO 番号
		WEIGHT	SCALE 尺度 4:1	SHEET 1 OF 2
		CUSTOMER DRAWING		REV L

