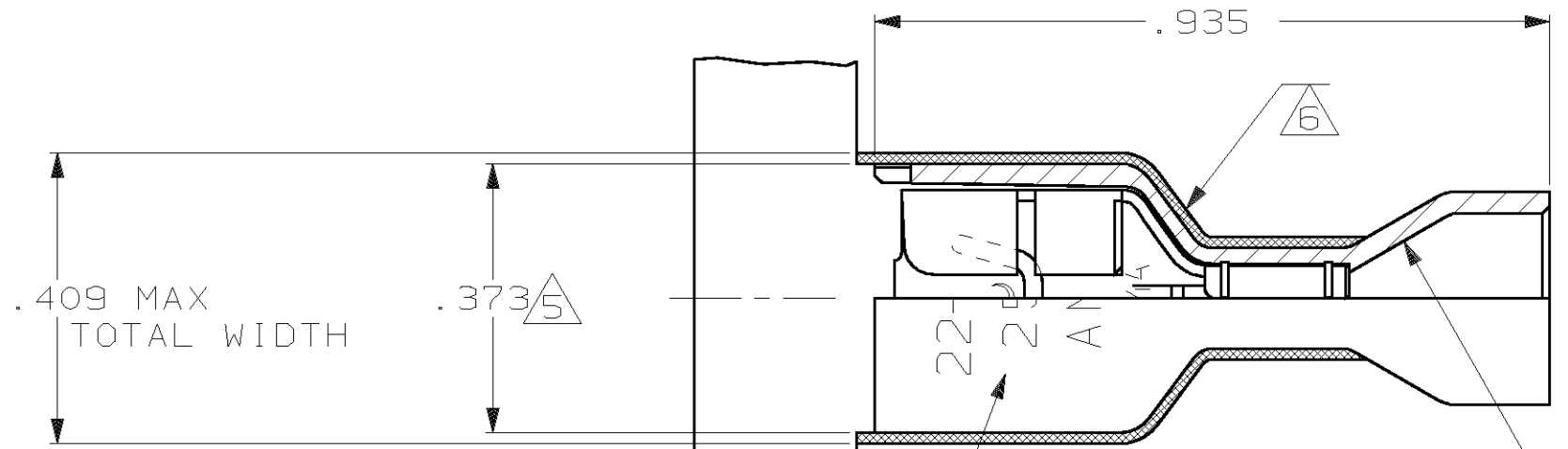
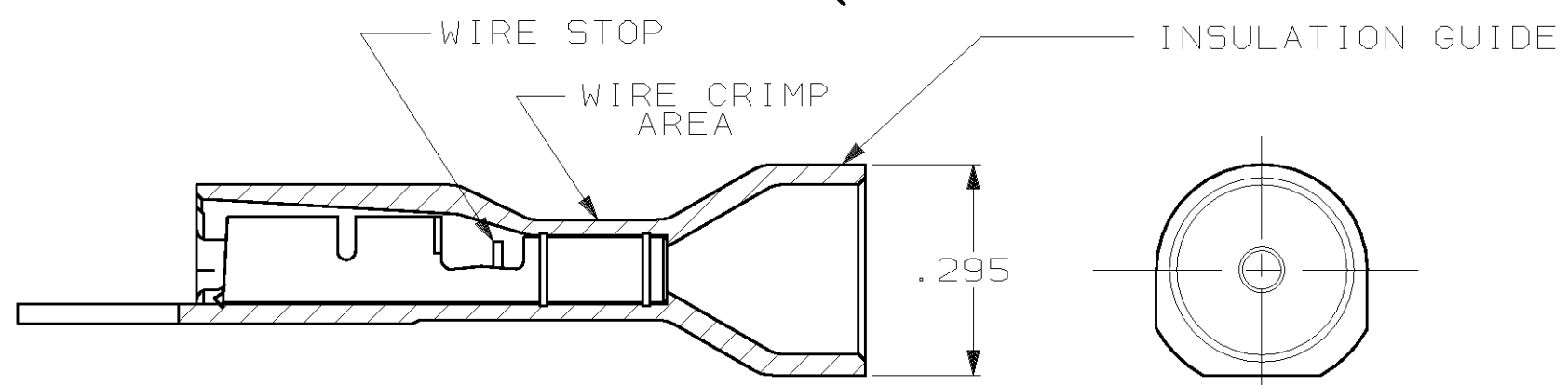
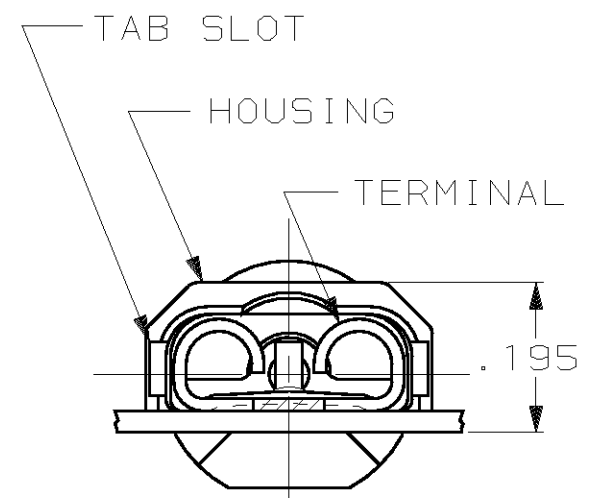


THIS DRAWING IS UNPUBLISHED. RELEASED FOR PUBLICATION, 19
 © COPYRIGHT 19 BY AMP INCORPORATED. ALL INTERNATIONAL RIGHTS RESERVED.

LOC AF	DIST 50	P	F	REVISIONS			DATE	APPD
				ZONE	LTR	DESCRIPTION		
					L	REV PER 061A-0147-99	3JUN99	JR JH



- 1 MATES WITH .032±.001×.250 TAB
- 2 WIRE STRIP LENGTH .281
- 3 INSULATION SIZE .230 MAX DIA
- 4 CONTINUOUS STRIP ON REELS
- △5 DIMENSION DOES NOT INCLUDE TRIM BURR
- △6 .015 MAX CARRIER TRIM BURR PER SIDE IS ALLOWABLE IN THE SHADED AREA



BULK	HOUSING: NYLON, COLOR-RED TRANSLUCENT RECEPTACLE: #3 HARD BRASS, TIN .000080 MIN	5-520263-2
STANDARD	HOUSING: NYLON, COLOR-RED TRANSLUCENT RECEPTACLE: #3 HARD PH BRONZE, TIN .000080 MIN	2-520263-4
	HOUSING: NYLON, COLOR-RED TRANSLUCENT RECEPTACLE: #3 HARD BRASS, TIN .000080 MIN	2-520263-2
PACKAGING	MATERIAL & FINISH	PART NO

DO NOT SCALE PRINT. UNLESS SPECIFIED DIMENSIONS IN INCHES TOLERANCES ON: 2 PLC DEC ± - 3 PLC DEC ± .015 ANGLES ± -	DR 9/30/88 P FORTNEY	AMP INCORPORATED Harrisburg, Pa. 17105		
	CHK 9/30/88 MS FEHER			
	MATERIAL SEE TABLE	APPD 9/30/88 K RANDOLPH	NAME RECEPTACLE ASSY, ULTRA-FAST, .250 SERIES, 22-18 AWG	
	FINISH SEE TABLE	APPD 10/4/88 TL SHUTTER	PRODUCT SPEC 108-2043	SIZE B
	APPLICATION SPEC 114-2123	WEIGHT -	FSCM NO 00779	DRAWING NO 520263
			SCALE 4:1	SHEET 1 OF 1