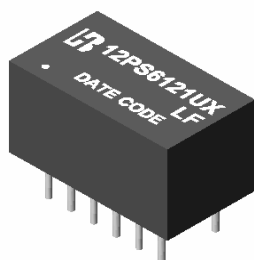


SINGLE 10/100 BASE-TX LAN MAGNETIC

P/N: 12PS6121UX LF DATA SHEET

Page: 1/2

Feature



- Comply with RoHS requirements-whole part No Cd, No Hg, No Cr6+, No PBB and PBDE and No Pb on external pins.
- Operating temperature range: 0 to +70 .
- Storage temperature range: -25 to +125 .

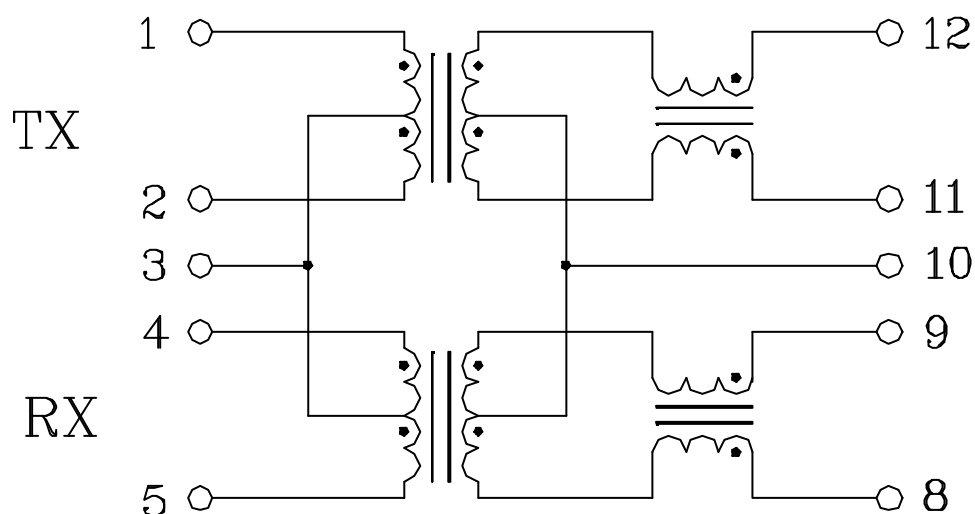
Electrical Specifications @ 25°C

Part Number	Turns Ratio (±3%)		OCL (uH Min) @100KHz/0.1V with 8mA DC Bias	Insertion Loss (dB Max) 1-100MHz	HI-POT (Vrms) 1500
	TX	RX			
12PS6121UX LF	1CT:1CT	1CT:1CT	350	-1.2	1500

Continue

Part Number	Return Loss (dB Min)			Cross talk (dB Min) 0.3-100MHz	DCMR (dB Min) 0.3-100MHz
	1-30MHz	50MHz	60-80MHz		
12PS6121UX LF	-15	-13	-11	-35	-30

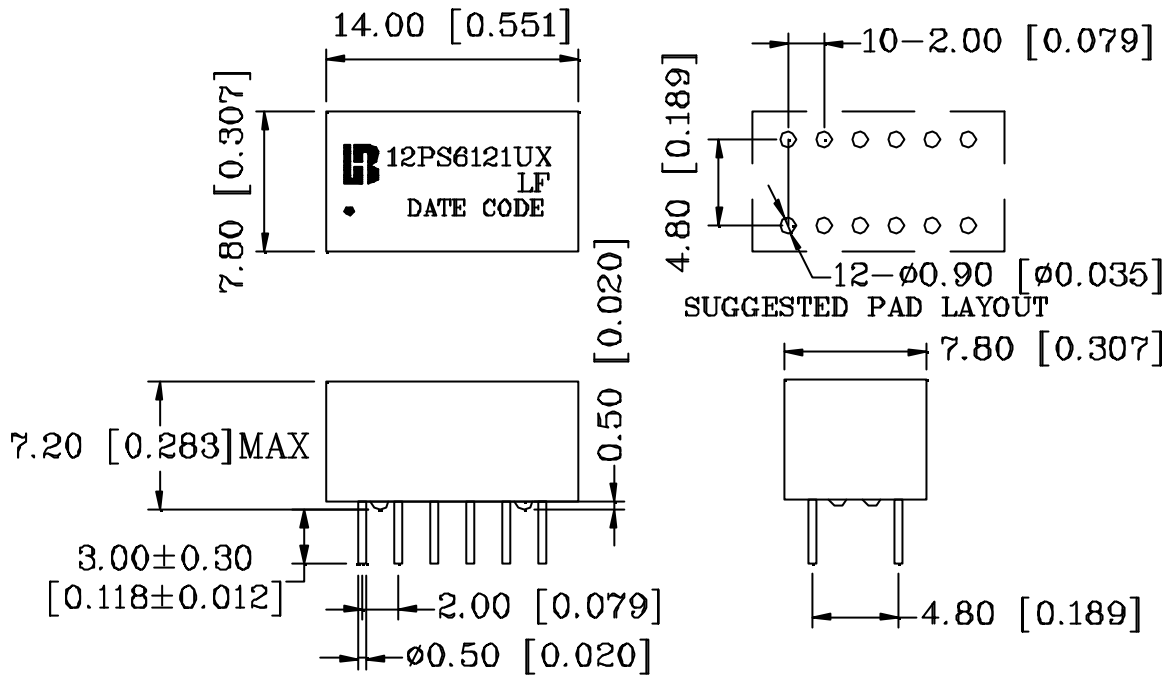
Schematic



SINGLE 10/100 BASE-TX LAN MAGNETIC

P/N: 12PS6121UX LF DATA SHEET

Mechanical



Units: mm[Inches] Tolerances : xx.x0±0.25[0.010]
0.xx±0.05[0.002]